

# 3M™ Cold Shrink Splice Kit QS-III 5415A

## for Jacketed Concentric Neutral (JCN) and Concentric Neutral Cable

### Instructions

**IEEE Std. 404**  
15 kV Class  
150 kV BIL

#### **CAUTION**

Working around energized systems may cause serious injury or death. Installation should be performed by personnel familiar with good safety practice in handling electrical equipment. De-energize and ground all electrical systems before installing product.

**Kit Selection Table**

<b>Kit Number</b>	<b>Cable Insulation O.D. Range</b>	<b>Conductor Size Range</b>
<b>5415A</b>	0.64" to 1.01" (16,3 to 25,7 mm)	2 - 4/0 AWG* (35–95 mm <sup>2</sup> )

\*Splices (including size transitions) can be made to smaller or larger conductors (but larger conductors may require special neutral handling), provided both cables are within the Insulation O.D. Range and the connector meets the dimensional requirements shown below.

**Connector Dimensional Requirements**

	<b>Minimum Inches (mm)</b>	<b>Maximum Inches (mm)</b>
<b>Outside Diameter</b>	0.40" (10,2 mm)	1.10" (28 mm)
<b>Length</b> Aluminum (Al/Cu) Compression	—	4.50" (114 mm)
<b>Length</b> Copper Compression and 3M™ Shearbolt Connector QCI 2-250	—	5.00" (127 mm)

## 1.0 Kit Contents

- a. 3M™ Cold Shrink Splice Body 5415A (1 ea.)
- b. Cold Shrink Jacketing Tube (1 ea.)
- c. Cold Shrink Adapter Tube (2 ea.)
- d. Red Compound Tubes (non-silicone grease) (2 ea.)
- e. Scotch® Mastic Sealing Strips 2230, 6" length (6 ea.)
- f. Scotch® Rubber Mastic Tape 2228 Rolls, 2" x 36" (2 ea.)
- g. Neutral Pad (1 ea.)
- h. 3M™ Cable Cleaning Pads CC-3 (1 ea.)
- i. Cable Preparation Template (1 ea.)
- j. Instruction Booklet (1 ea.)

**Note:** *Do not use knives to open plastic bags.*

**Note:** *Connector not shown, but if included, it is indicated on the packaging label.*

**Note:** *Kits contains 0, 1 or 2 of item "C," Cold Shrink Adapter Tube, as needed per conductor size.*

## 2.0 Prepare Cables

- 2.1 Check to be sure the cable fits within the kit ranges as shown on the cover page.
- 2.2 Prepare cables according to standard procedures. Refer to template provided or illustration below for proper dimensions. **Additional distance is required on one cable to provide extra neutral wire length for connecting the neutrals.** (Figure 1).

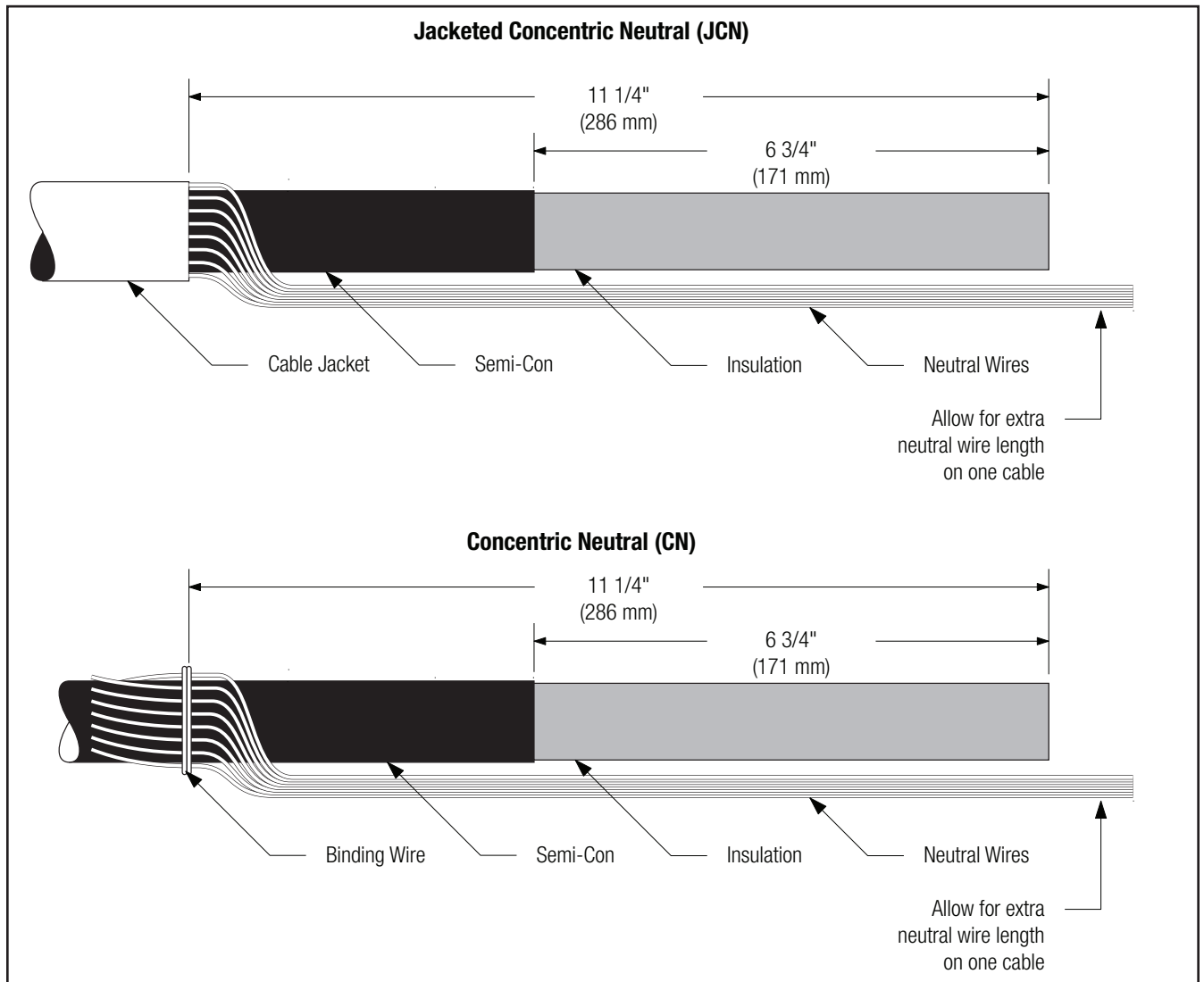


Figure 1

**Note:** Cables must be within the insulation O.D. range of the splice kit and the connector must meet the dimensional requirements shown on the front page.

- 2.3 **For JCN or CN splices with exposed neutral connections:** Carefully bend the neutral wires back over the edge of the cable jackets (JCN) or binding wire or tape (CN). Press them against the cable and temporarily secure/cover the end of the wires with vinyl tape (Figure 2).

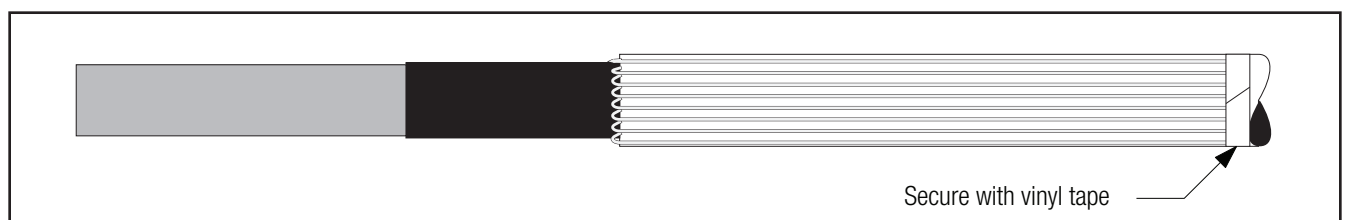


Figure 2

**2.4 For CN to JCN transition splices or CN splices with covered neutral connections (as shown below):**

2.4.1 Clean cable semi-con as shown (*Figure 3*). **Do not use cable cleaning solvent.**

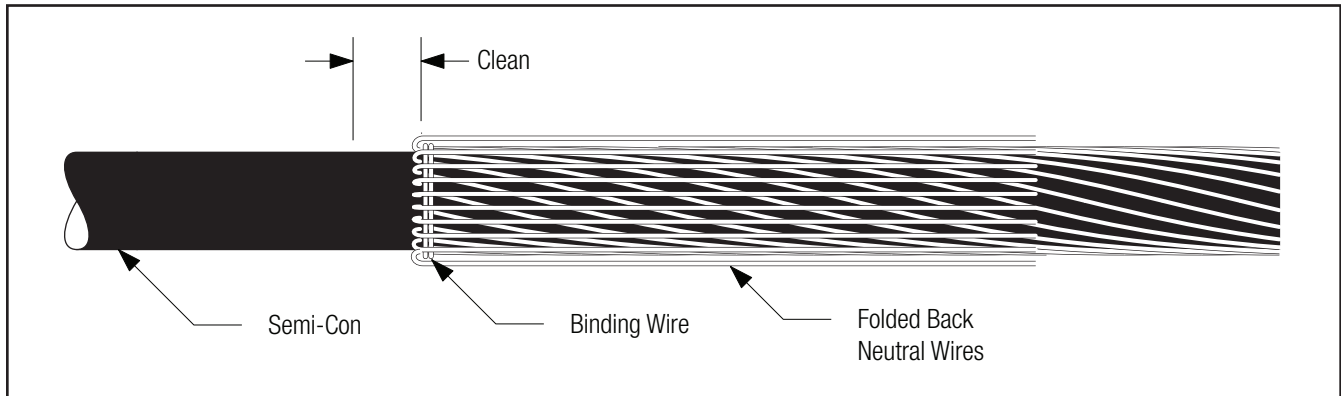


Figure 3

2.4.2 Place a strip of mastic around cable semi-con next to neutral binder. Fold neutrals into mastic and place another binder wire on the other side of the mastic (*Figure 4*).

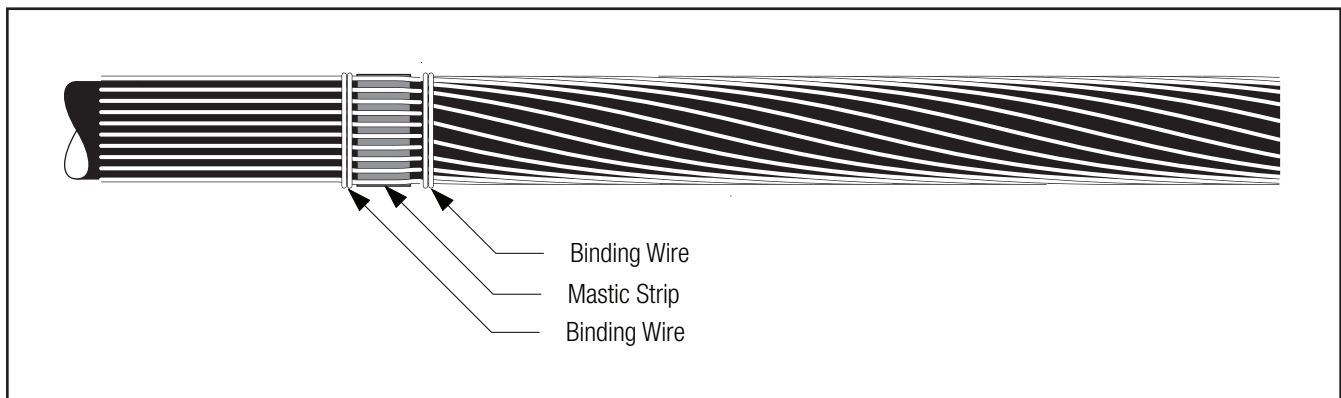


Figure 4

2.4.3 Wrap two additional strips of mastic over the first one and cover with two half lapped layers of vinyl tape (*Figure 5*).

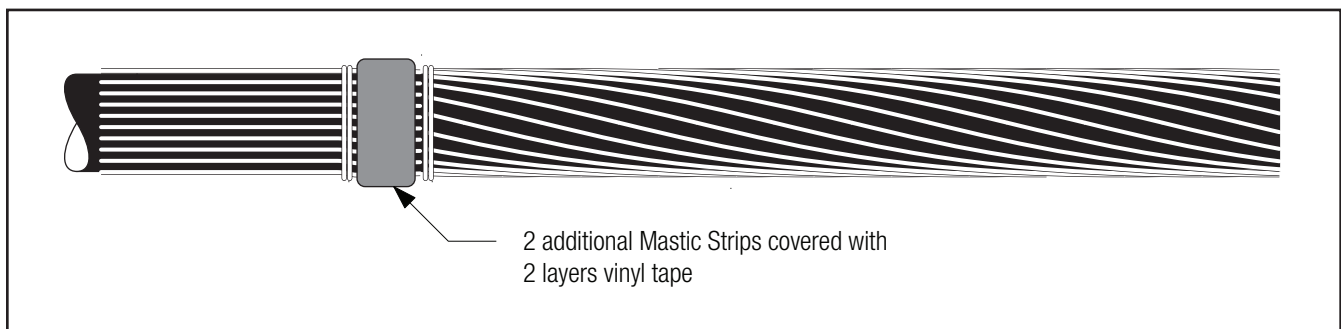


Figure 5

2.4.4 Fold neutrals over mastic seal and temporarily secure ends with vinyl tape (Figure 6).

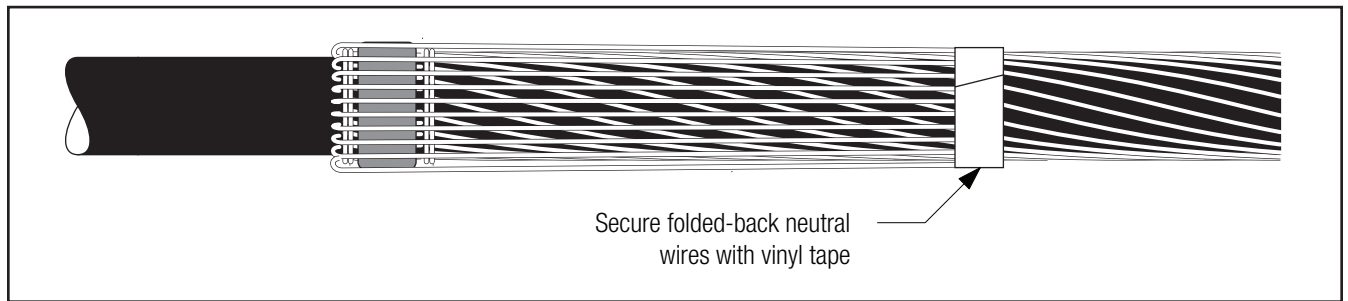


Figure 6

**Note:** *Jacketing is not optional. Cold shrink jacketing tube must be installed.*

2.5 Clean or cover cable jacket if necessary, for cold shrink parking position. Slide jacketing tube onto one cable end. Slide splice body onto opposite cable, loose core end first. For size transitions, park splice on smaller cable (Figure 7).

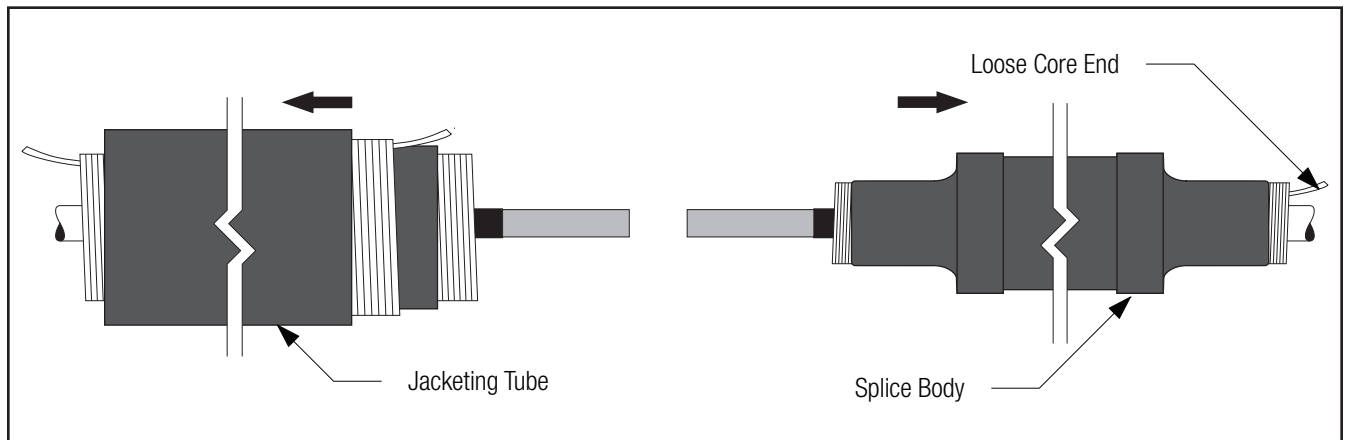


Figure 7

**Note:** *If space is limited, the jacketing tube and splice body can be put on the cable stacked inside each other.*

### 3.0 Install Connector

**Note:** *If using a crimp-type connector, go to step 3.3.*

3.1 If using a 3M™ Shearbolt Connector QCI 2-250, refer to the instructions included with the connector for insulation cut-back dimension. Insulation removal length shall not exceed 2 1/2" (64 mm) from conductor end (Figure 8).

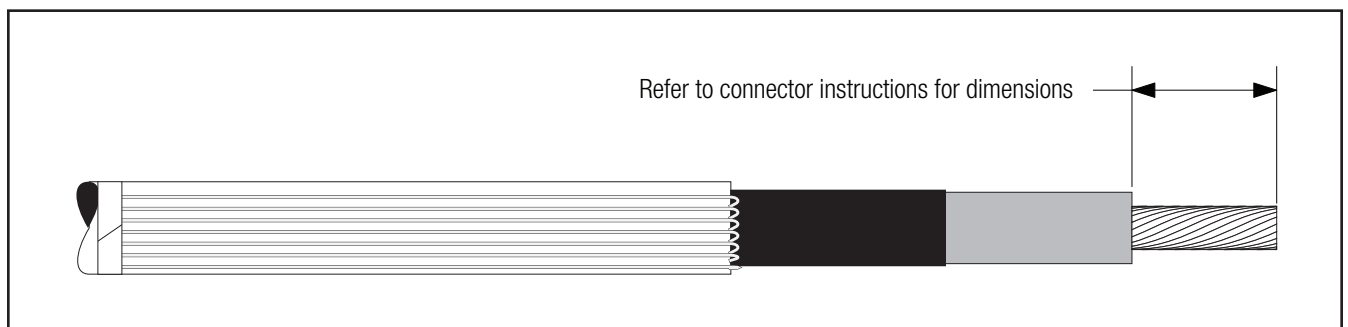


Figure 8

3.2 Install 3M™ Shearbolt Connector QCI 2-250 according to the instructions included with the connector (Figure 9).

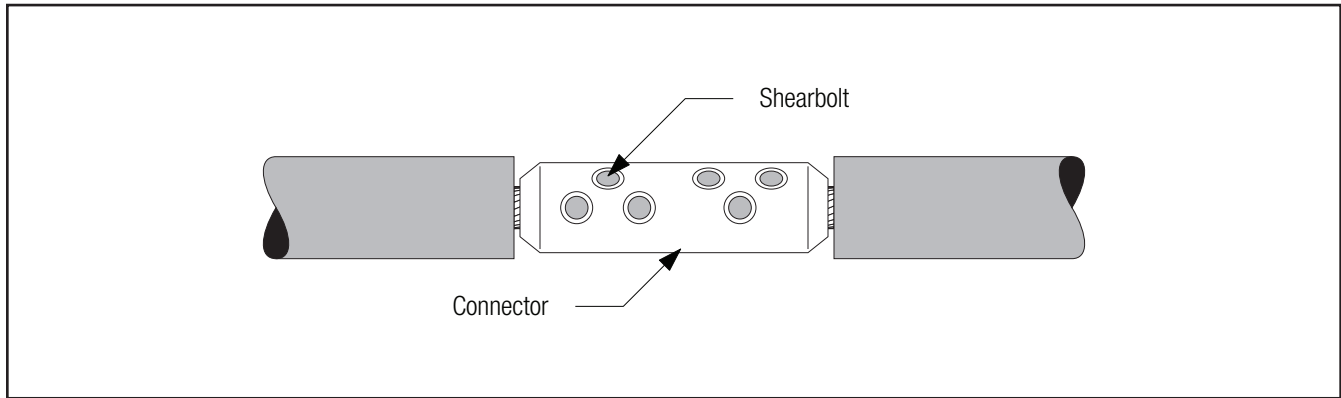


Figure 9

**Go to section 4.0 “Install Splice.”**

3.3 If using a crimp type connector, remove cable insulation for 1/2 connector length plus an allowance\* for increases in connector length due to crimping. Insulation removal length shall not exceed 2 1/2" (64 mm) from conductor end. **Do not install connector now** (Figure 10).

*\*Note: This assumes that the installer has determined the increased length of an aluminum connector crimped with a specific tool and die.*

**Aluminum (Al/Cu) Crimp Connector Growth Chart**

Conductor Size	Typical growth allowance (per end)
2 - 3/0 AWG	1/8" (3 mm)
4/0 AWG	1/4" (6 mm)

*Note: 1) Copper connectors do not require a length change allowance.  
2) Maximum aluminum connector crimped length allowed is 5.0" (127 mm).*

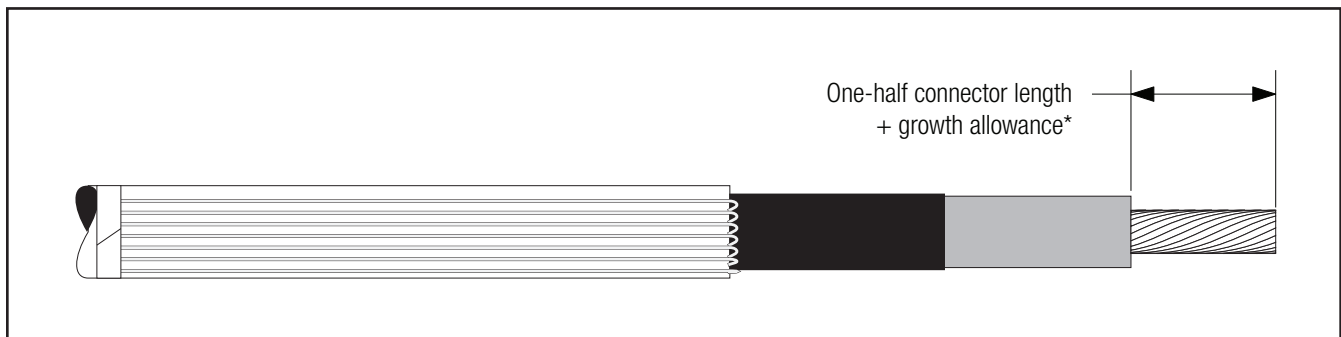


Figure 10

- 3.4 For 2 through 1/0 AWG copper connectors, 2 and 1 AWG aluminum connectors, or connectors with an O.D. between 0.40–0.55" (10,2–14,0 mm): Slide the cold shrink adapter tube with the **WHITE CORE** onto the insulation with the loose core ribbon end going on first, away from the cable end.

For 2/0 through 4/0 AWG copper connectors or connectors with an O.D. between 0.50–0.64" (12,7–16,3 mm): Slide the cold shrink adapter tube with the **RED CORE** onto the insulation with the loose core ribbon end going on first, away from the cable end.

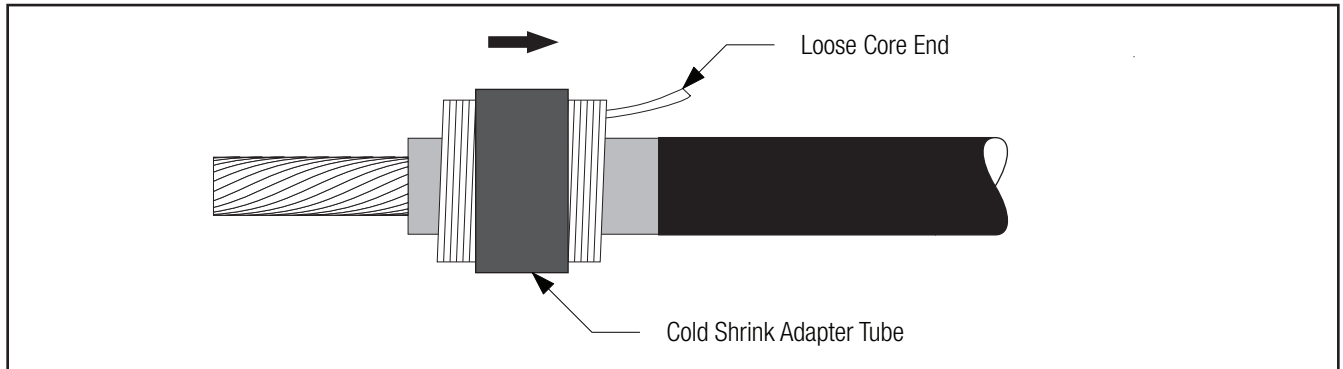


Figure 11

- 3.5 Install connector. See table (on cover) for proper connector dimensions. (For standard 3M™ Connectors, refer to table at the end of this instruction for crimping information). Remove any excess oxidation inhibitor from connector ends if aluminum connector is used. File sharp connector flashing if necessary, taking care to remove all metal filings from splice area (*Figure 12*).

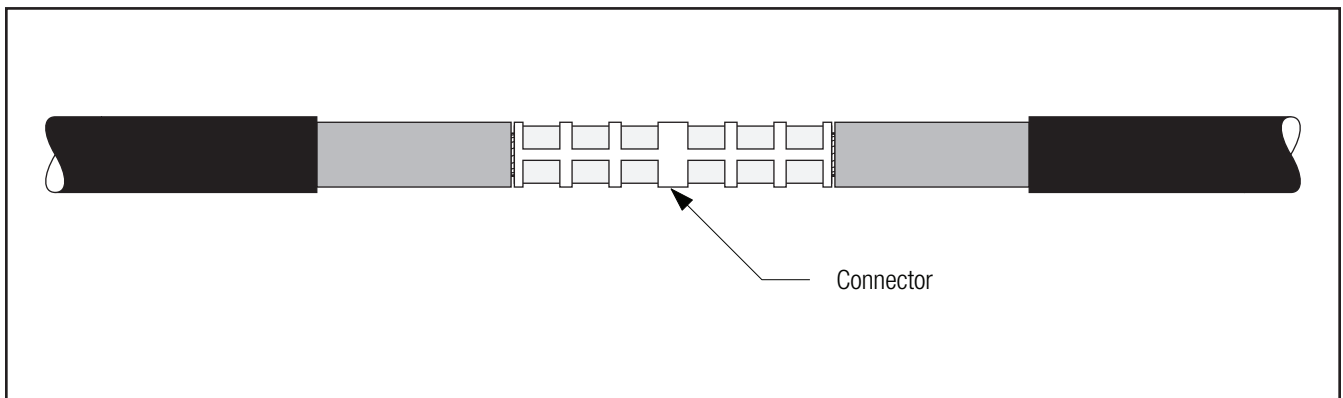


Figure 12

## 4.0 Install Splice

- 4.1 Apply a tape marker to semi-con insulation shield on cable which does not contain splice. Measure 8 1/2" (216 mm) from center of connector (*Figure 13*).

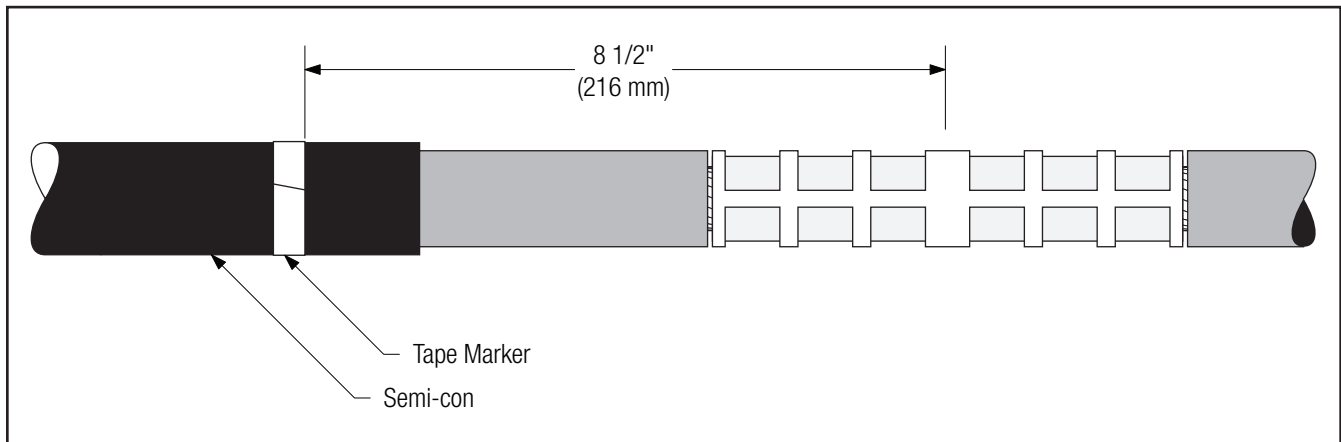


Figure 13

- 4.2 **If using cold shrink adapter tube:** Position adapter tube over the connector. Shrink adapter near center of connector by pulling and unwinding the loose core end in a counter-clockwise direction (*Figure 14*).

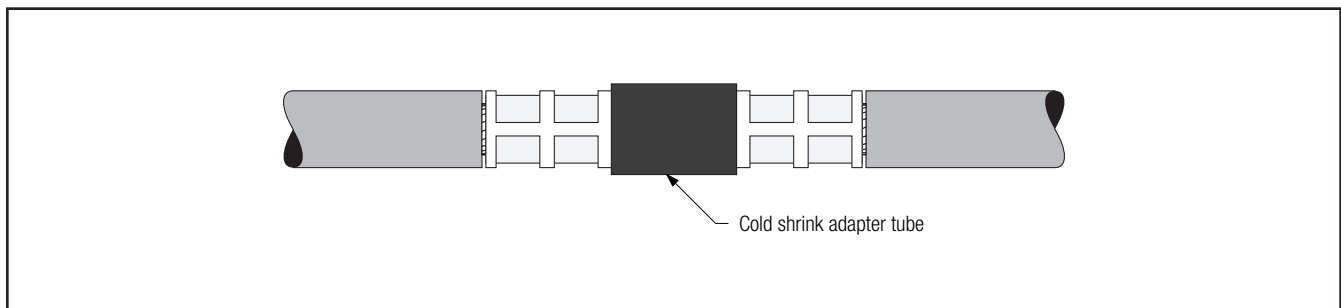


Figure 14

- 4.3 Clean cables using standard practice:
- Do not allow solvent or abrasive to contact the cable semi-conductive insulation shield.
  - Do not reduce cable insulation diameter below 0.64" (16,3 mm) specified for the splice.
  - The insulation surface must be round, smooth and free of cuts/voids. Sanding may be necessary, finish sanding should be done with a 300 grit or higher electrical grade abrasive.
  - Make certain that the cable insulation is smooth, clean and dry before continuing.



4.4 Apply red compound on cable insulations, making certain to fill in edge of cable semi-con. **Do not use silicone grease** (Figure 15).

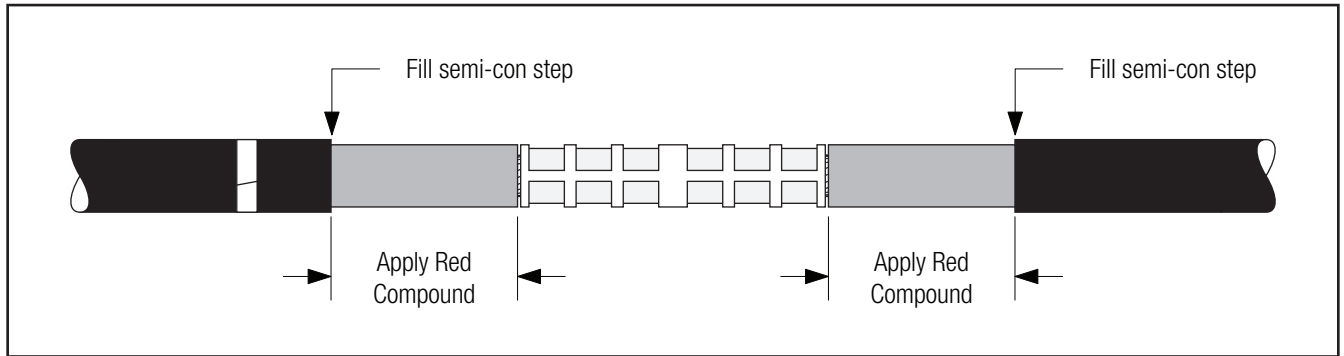


Figure 15

4.5 Position the splice body over connector area, aligning end of the splice body (not the core) at the center of the tape marker. Slowly start to remove the splice core by pulling and unwinding the loose core end counterclockwise, allowing only  $\frac{1}{4}$ " (6 mm) of the splice to shrink onto the tape marker. Carefully slide the splice body off the tape marker by pulling and twisting until the entire tape marker is exposed. Continue removing the core to complete the splice body installation (Figure 16).

**Note:** The splice body ends must overlap onto the semi-con of each cable by at least  $\frac{1}{2}$ " (13 mm).

**Note:** Do not push the splice body toward the tape marker as this may cause the end to roll under. If the end does roll under, DO NOT use sharp-edged tools to pull it out as this could cut and damage the splice.

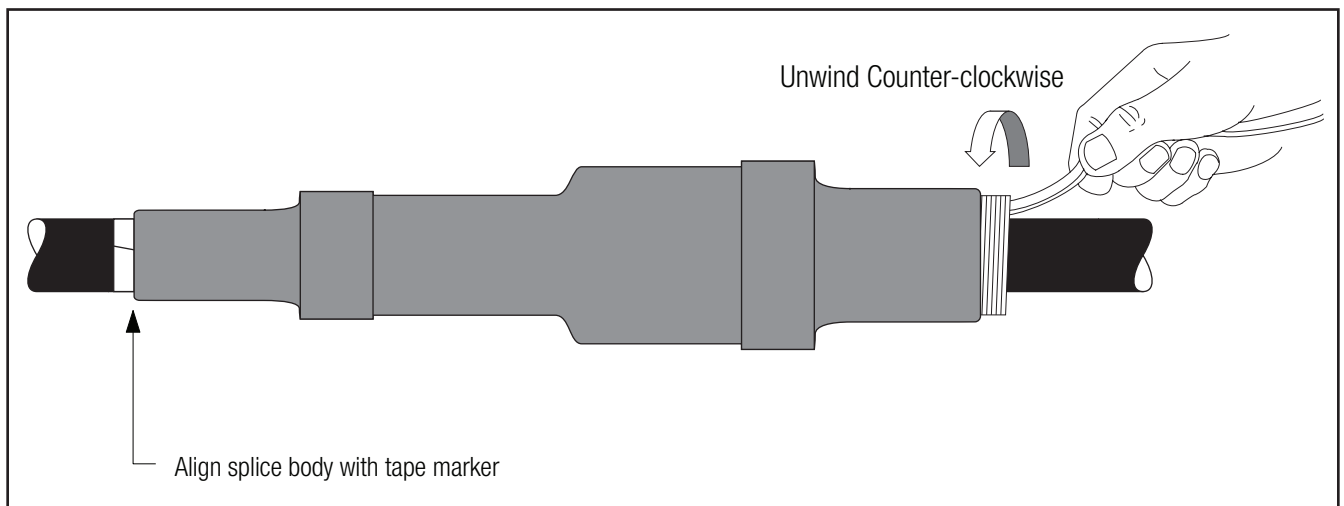


Figure 16

# For JCN to JCN Splices

## 5.0 Connect Neutral Wires for JCN Splices

### 5.1 For bundled neutrals using neutral pad:

5.1.1 Center neutral pad on splice body. Remove temporary vinyl tape from neutral wires and connect with an inline compression connector (crimp sleeve). Route neutrals and connector over the neutral pad (Figure 17).

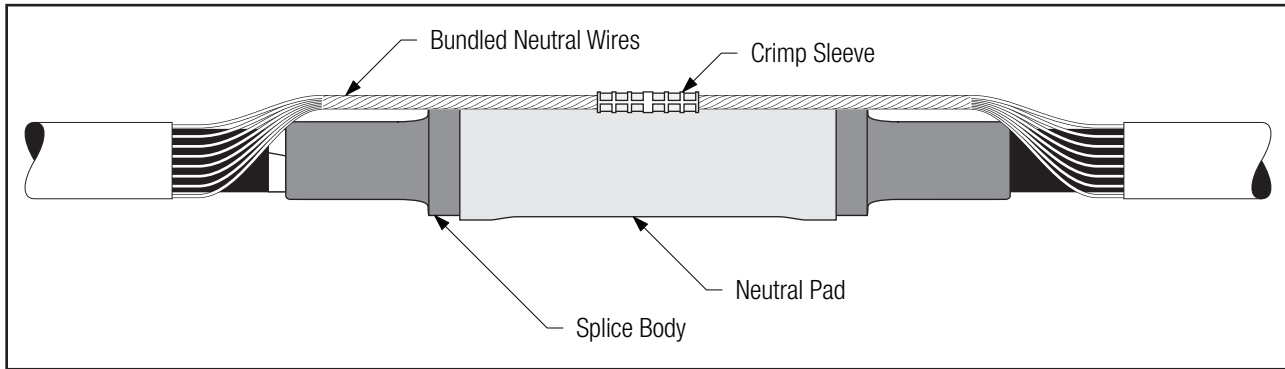


Figure 17

5.1.2 Apply two wraps of vinyl tape around each end of the neutral pad and over the connector (Figure 18).

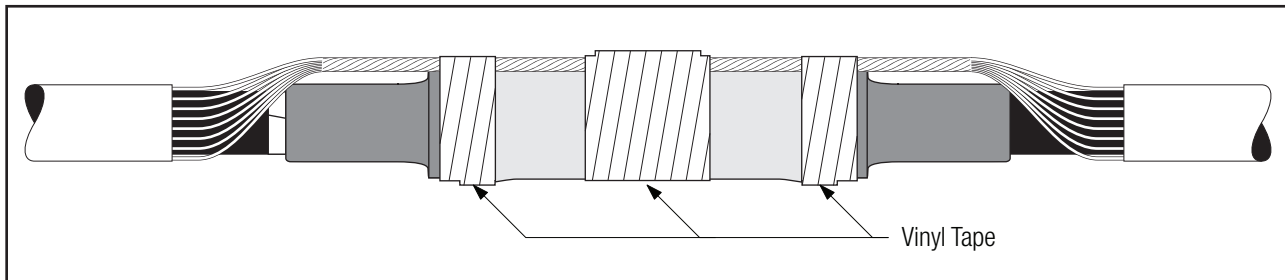


Figure 18

***Go to step 6.0 “Grounding (Optional) for JCN Splices.”***

### 5.2 For neutrals evenly spaced around splice body:

5.2.1 Center neutral pad on splice body. Route neutrals either straight or concentrically around splice body and secure using vinyl tape (Figure 19).

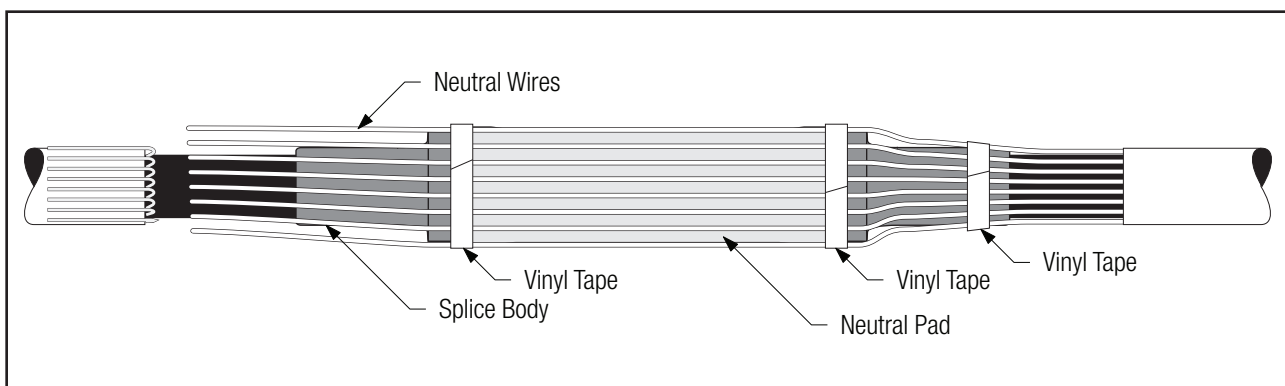


Figure 19

# For JCN to JCN Splices

5.2.2 Use a piece of cable jacket, removed during cable preparation, to cover and protect exposed cable semi-con under the area where the neutral and/or ground connection will be made. Secure with tape. Ensure that the cable jacket piece does not touch the splice body (*Figure 20*).

**Note:** *If grounding splice, leave sufficient neutral wire length to allow for a ground wire connection next to cable jacket or make both neutral and ground connections using a single connector.*

5.2.3 Connect neutrals using a suitable compression connector ("INLINE", "C", or "H" type) between jacket end and reduced splice diameter. Keep connector profile as low as possible. Crimp connector following the connector manufacturer's recommendation (*Figure 20*).

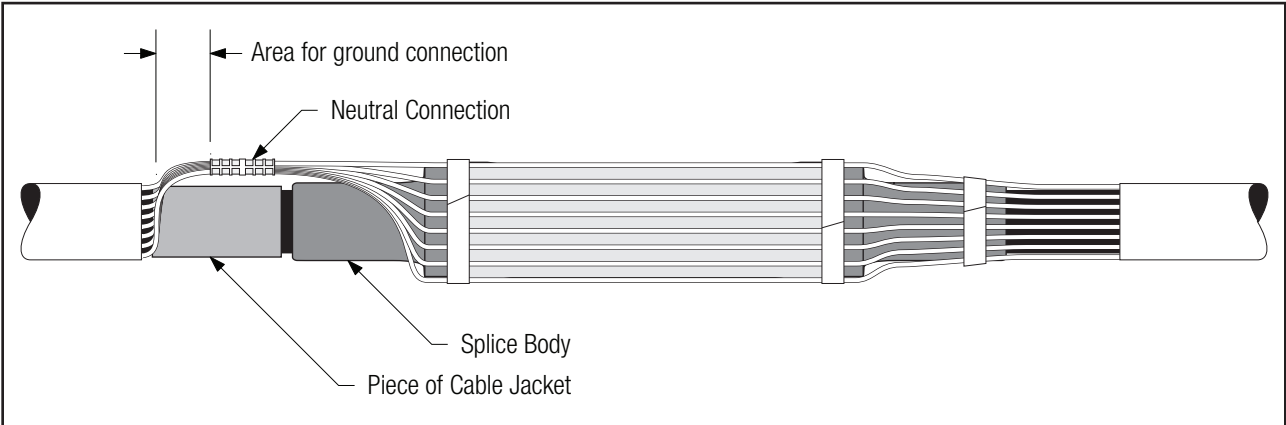


Figure 20

## 6.0 Grounding (Optional) for JCN Splices

**Note:** *Use these instructions if circuit grounding is required at this location.*

6.1 Connect a ground wire to the neutrals, in the area where the splice diameter is reduced. To protect the cable semicon, place a piece of cable jacket (removed during the cable preparation) under the ground connector. Ensure that the cable jacket piece does not touch the splice body. Keep connector profile as low as possible. For C-Tap or H-Tap connectors, position flat against the cable (*Figure 21*).

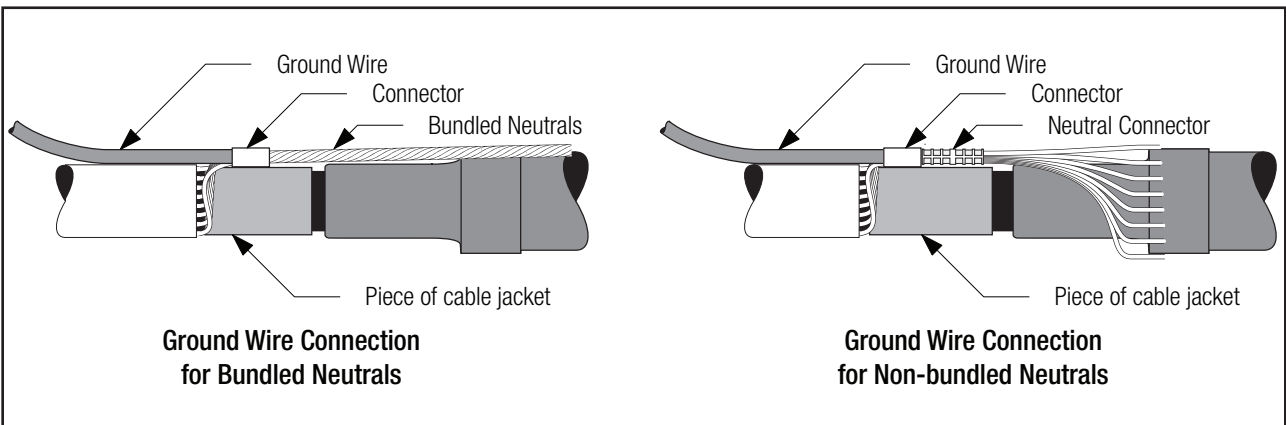


Figure 21

# For JCN to JCN Splices

6.2 Cut one mastic sealing strip into two equal pieces. Place one piece on the cable jacket centered under the ground wire, near the jacket end. Roll the two remaining full length mastic strips into small rolls. Place one roll on each side of the ground wire (*Figure 22*).

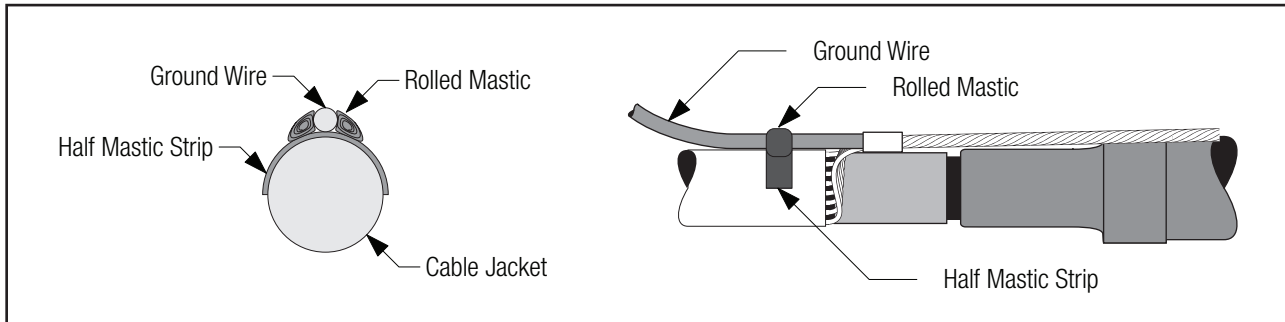


Figure 22

6.3 Place the other half mastic strip over ground wire and two rolls. Press the mastic around the ground wire and to the cable jacket. Overwrap the connectors with vinyl tape (*Figure 23*).

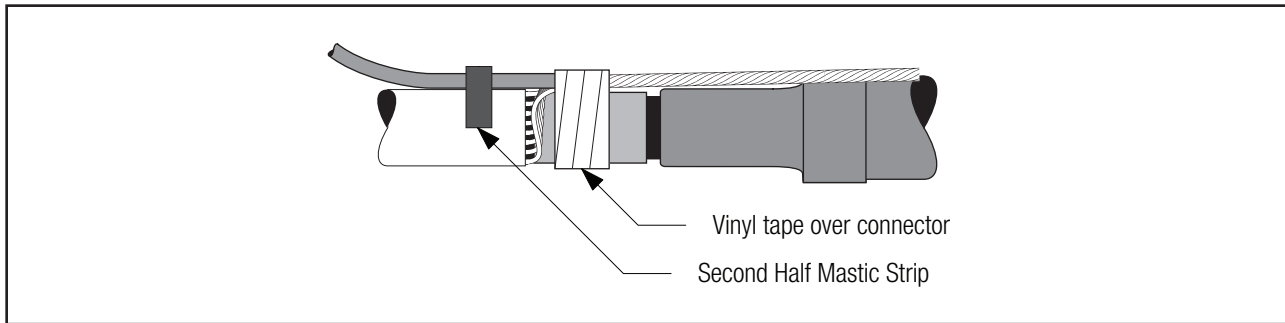


Figure 23

## 7.0 Install Jacket for JCN Splices

**Note:** *Jacketing is not optional.*

7.1 Apply one roll of slightly stretched rubber mastic tape around each jacket end (tacky side toward cable). If ground wire is connected, apply tape over mastic sealing strips. Stretch and tear off the end of the rubber mastic as shown.

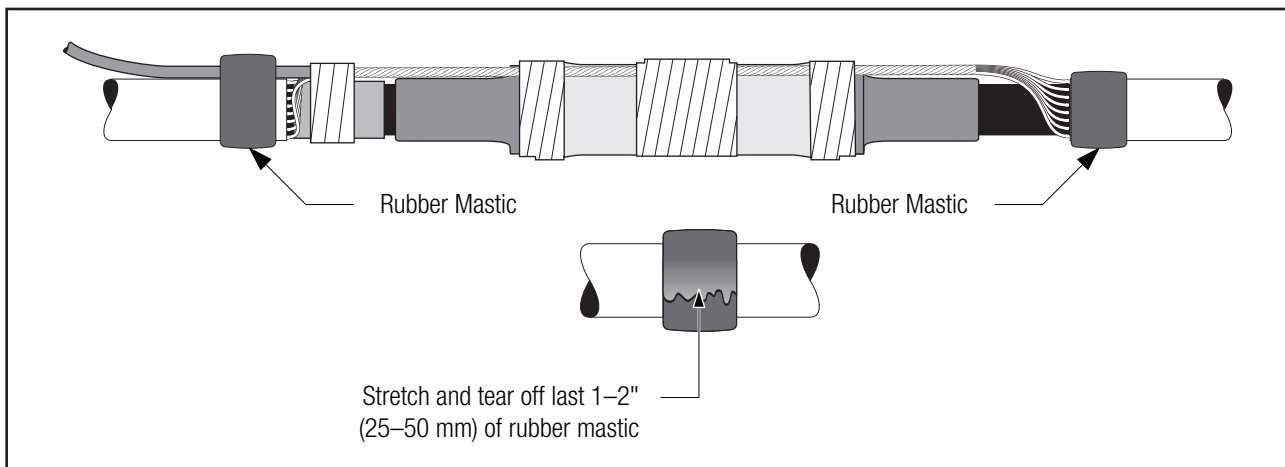


Figure 24

## For JCN to JCN Splices

- 7.2 Begin to install the cold shrink tube by completely covering the rubber mastic, and slowly pulling and unwinding the inner core counterclockwise toward the splice body. The outer core should remain relatively stationary while unwinding the inner core. If the outer core begins to move towards the first mastic seal, gently pull the outer core and jacketing tube towards the second mastic seal and continue unwinding the inner core (Figure 25).

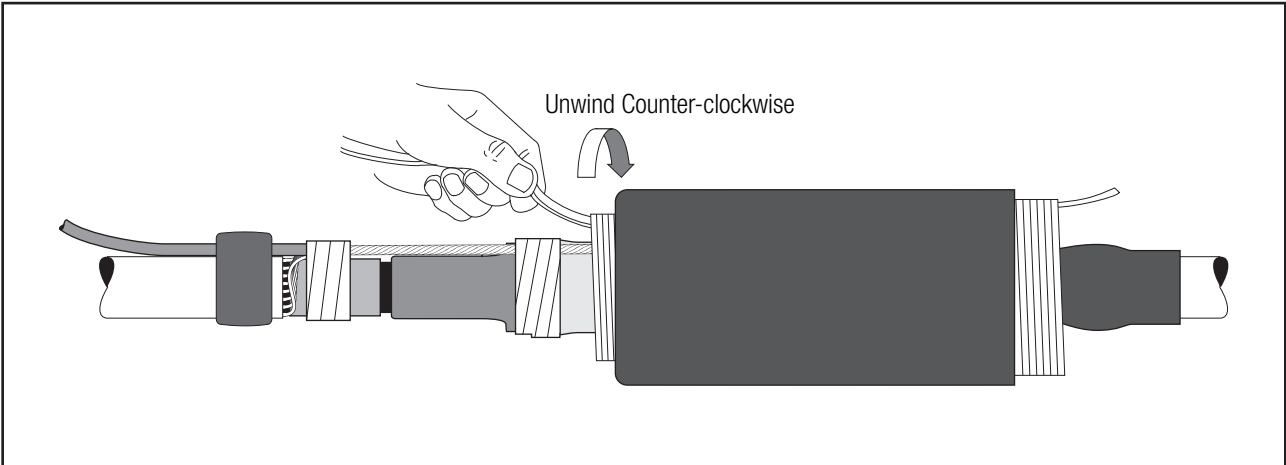


Figure 25

- 7.3 Continue to install the cold shrink tube over the rubber mastic on the other cable by slowly pulling and unwinding the outer core counterclockwise. This portion of the cold shrink tube installs differently than typical cold shrink products in that as the tube shrinks, the end rolls under. The tube may need a slight push to get over the second mastic seal (Figure 26).

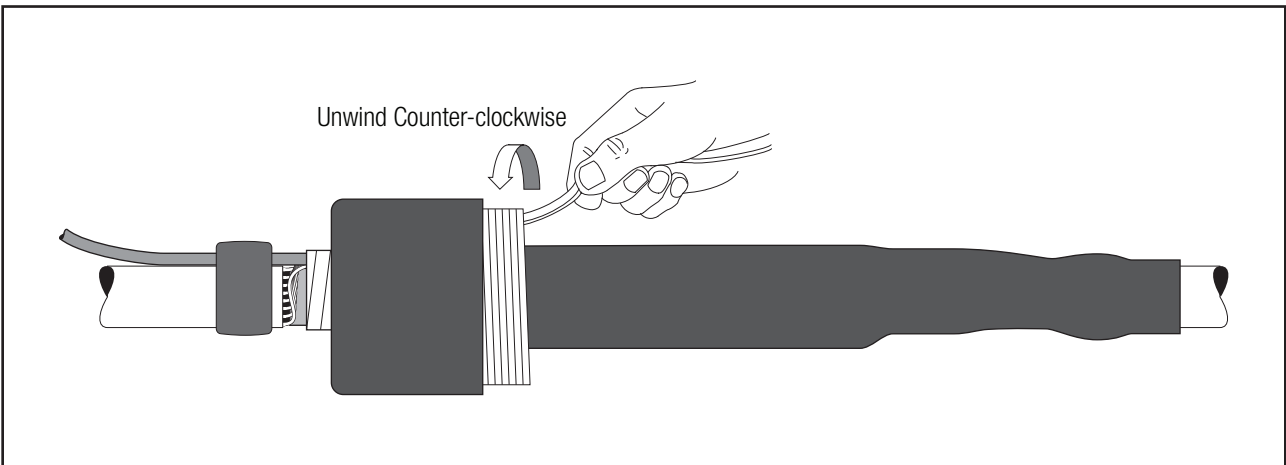


Figure 26

**Note:** *In applications where the splice is regularly exposed to high levels of ultra-violet radiation (i.e. direct sunlight), wrap two half-lapped layers of Scotch® Super 33+™ Vinyl Electrical Tape or Scotch Vinyl Electrical Tape Super 88 over the re-jacketing tubes.*

**Note:** *Connect optional grounding.*

# For CN to CN Splices

## 8.0 Connect Neutral Wires for CN Splices

### 8.1 For splices with exposed neutral connections:

8.1.1 Apply a mastic strip around the semi-con jacket of each cable at the location where neutral wires are bent back (*Figure 27*).

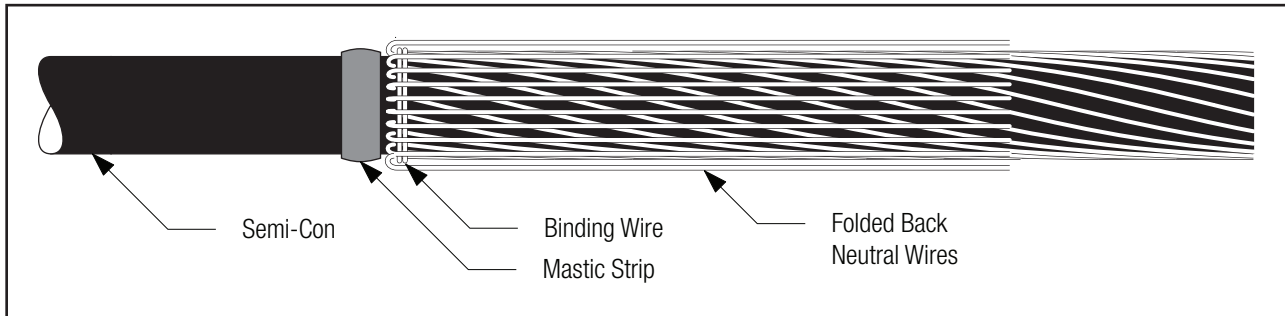


Figure 27

8.1.2 Run two solid bare wires across the splice and press them into the mastic on both cables. Leave 10"–12" (250–300 mm) of extra wire past each mastic (*Figure 28*).

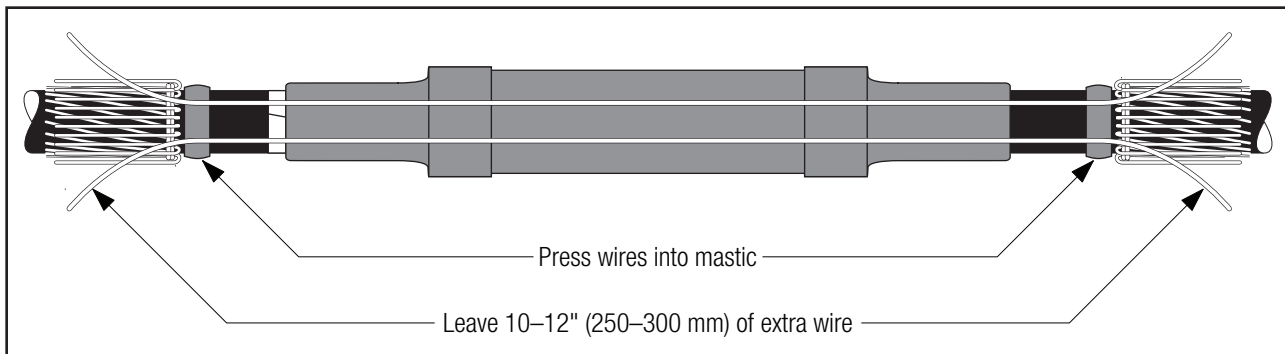


Figure 28

8.1.3 Apply one roll of slightly stretched rubber mastic tape over each mastic strip (tacky side towards cable). Stretch and tear off the end of the rubber mastic as shown (*Figure 29*).

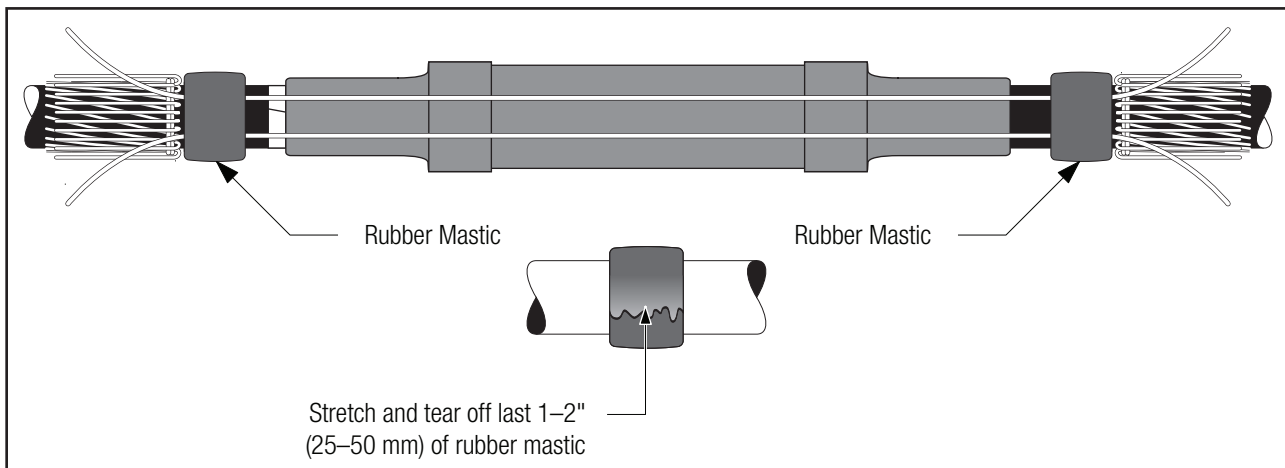


Figure 29

**Go to section 9.0 "Install Jacket for CN Splices."**

# For CN to CN Splices

## 8.2 For splices with covered neutral connections:

8.2.1 Center neutral pad on splice body. Remove temporary vinyl tape from neutral wires and connect with an inline compression connector (crimp sleeve). Route neutrals and connector over the neutral pad (Figure 30).

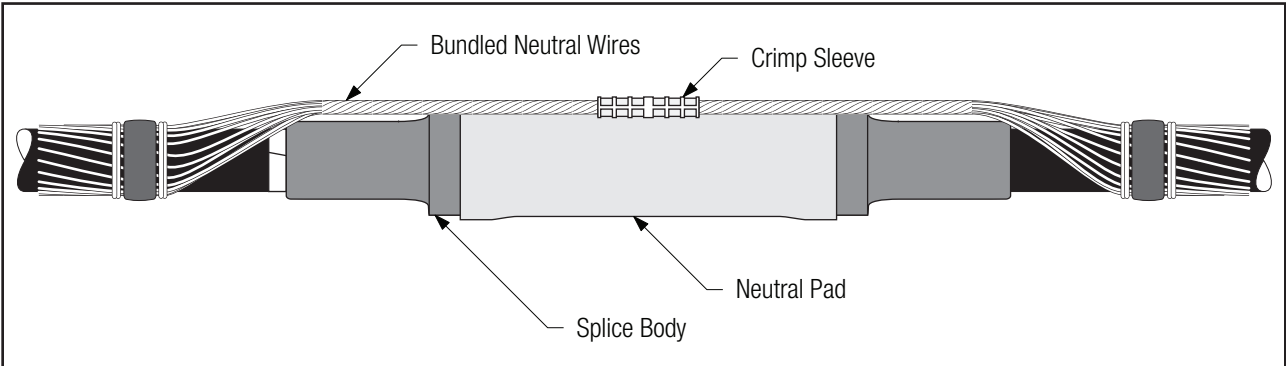


Figure 30

8.2.2 Apply two wraps of vinyl tape around each end of the neutral pad and over the connector (Figure 31).

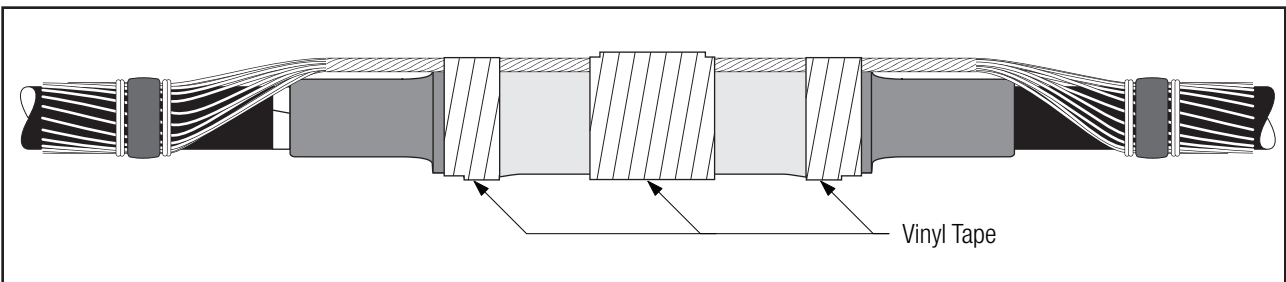


Figure 31

### Go to step 8.3.

## 8.2.3 For neutrals evenly spaced around splice body:

Center neutral pad on splice body. Route neutrals either straight or concentrically around splice body and secure using vinyl tape (Figure 32).

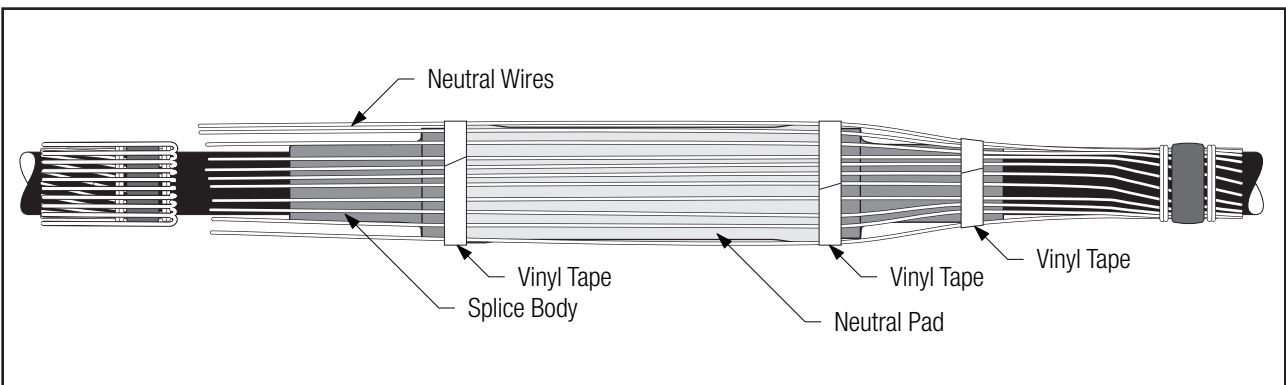


Figure 32

# For CN to CN Splices

- 8.2.4 Use a piece of cable jacket, removed during cable preparation, to cover and protect exposed cable semi-con under the area where the neutral and/or ground connection will be made. Secure with tape. Ensure that the cable jacket piece does not touch the splice body (*Figure 33*).
- 8.2.5 Connect neutrals using a suitable compression connector (“INLINE,” “C,” or “H” type) between jacket end and reduced splice diameter. Keep connector profile as low as possible. Crimp connector following the connector manufacturer’s recommendation (*Figure 33*).

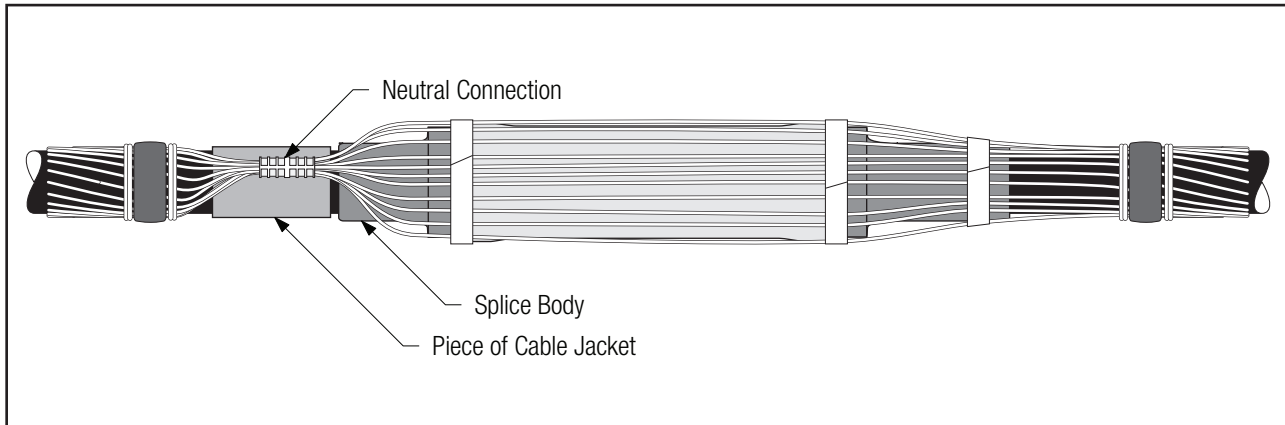


Figure 33

- 8.3 Apply one roll of slightly stretched rubber mastic over each mastic seal (tacky side toward cable). Stretch and tear off the end of the rubber mastic as shown (*Figure 34*).

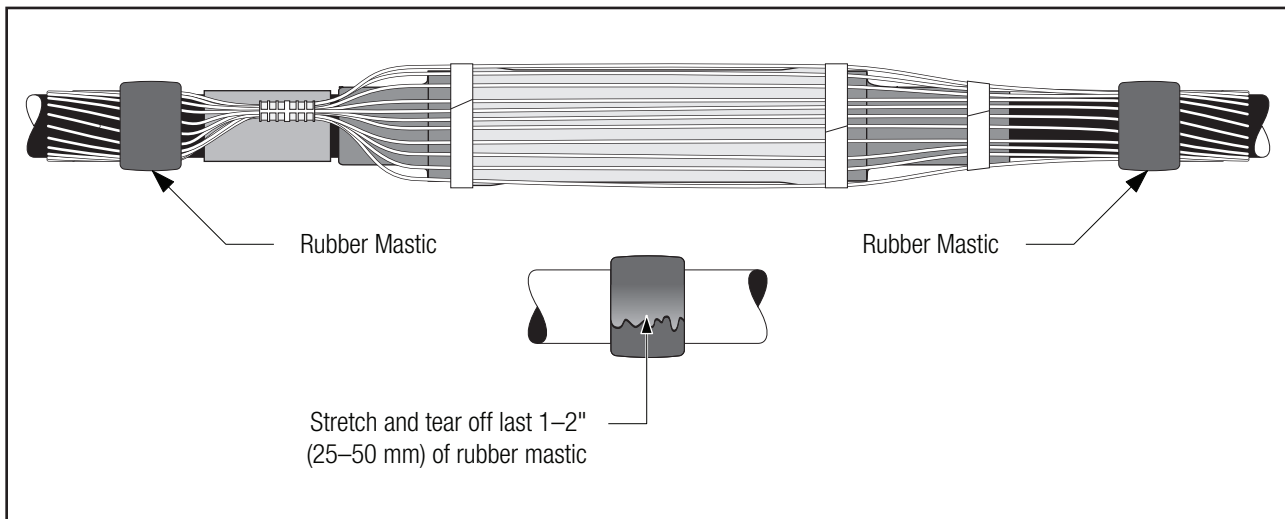


Figure 34



# For CN to CN Splices

## 9.0 Install Jacket for CN Splices

**Note:** *Jacketing is not optional.*

- 9.1 Begin to install the cold shrink tube by completely covering the rubber mastic, and slowly pulling and unwinding the inner core counterclockwise toward the splice body. The outer core should remain relatively stationary while unwinding the inner core. If the outer core begins to move towards the first mastic seal, gently pull the outer core and jacketing tube towards the second mastic seal and continue unwinding the inner core (*Figure 35*).

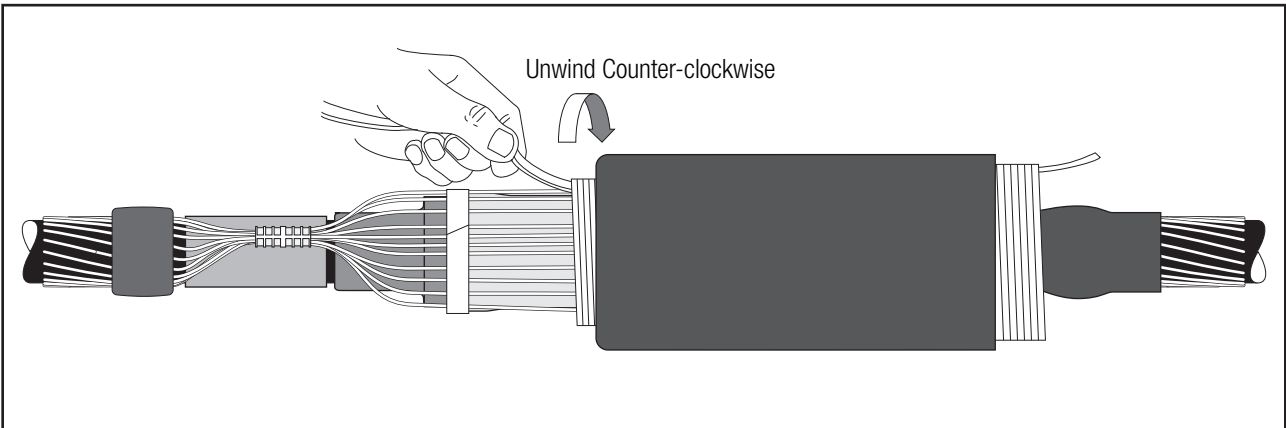


Figure 35

- 9.2 Continue to install the cold shrink tube over the rubber mastic on the other cable by slowly pulling and unwinding the outer core counterclockwise. This portion of the cold shrink tube installs differently than typical cold shrink products in that as the tube shrinks, the end rolls under. The tube may need a slight push to get over the second mastic seal (*Figure 36*).

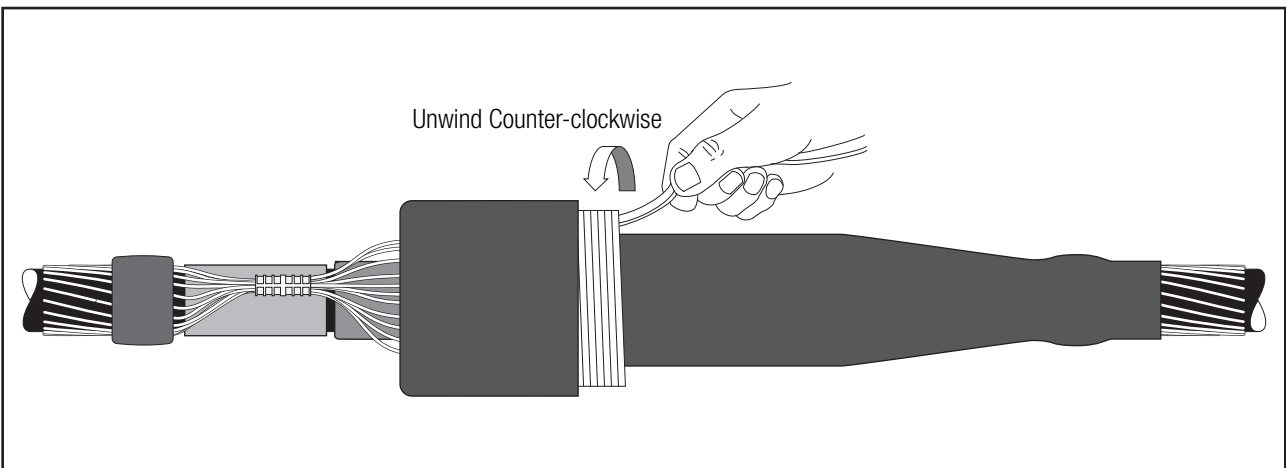


Figure 36

## For CN to CN Splices

9.3 **For exposed neutral connection:** Route neutrals over splice and connect. Include two wires routed under splice jacket (*Figure 37*).

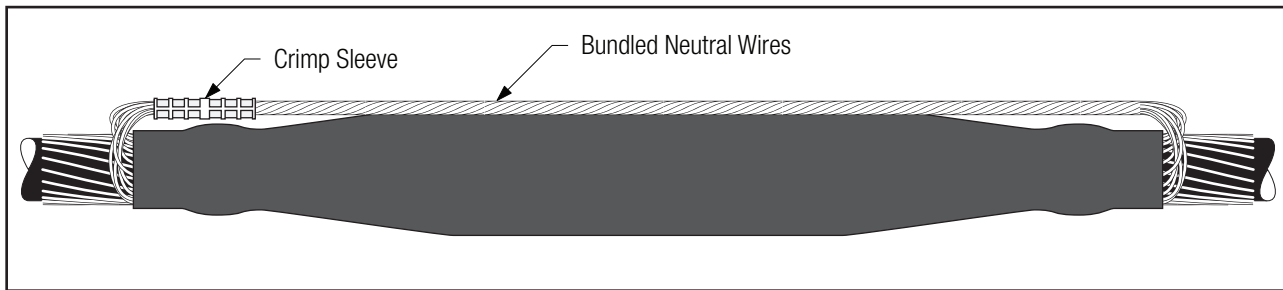


Figure 37

**Note:** *In applications where the splice is regularly exposed to high levels of ultra-violet radiation (i.e. direct sunlight), wrap two half-lapped layers of Scotch® Super 33+™ Vinyl Electrical Tape or Scotch Vinyl Electrical Tape Super 88 over the re-jacketing tubes.*

**Note:** *If circuit grounding is required at this splice location, connect to exposed neutral wires.*

## For CN to JCN Transition Splices

### 10.0 Connect Neutral Wires for Transition Splices

#### 10.1 For bundled neutrals using neutral pad:

10.1.1 Center neutral pad on splice body. Remove temporary vinyl tape from neutral wires and connect with an inline compression connector (crimp sleeve). Route neutrals and connector over the neutral pad (*Figure 38*).

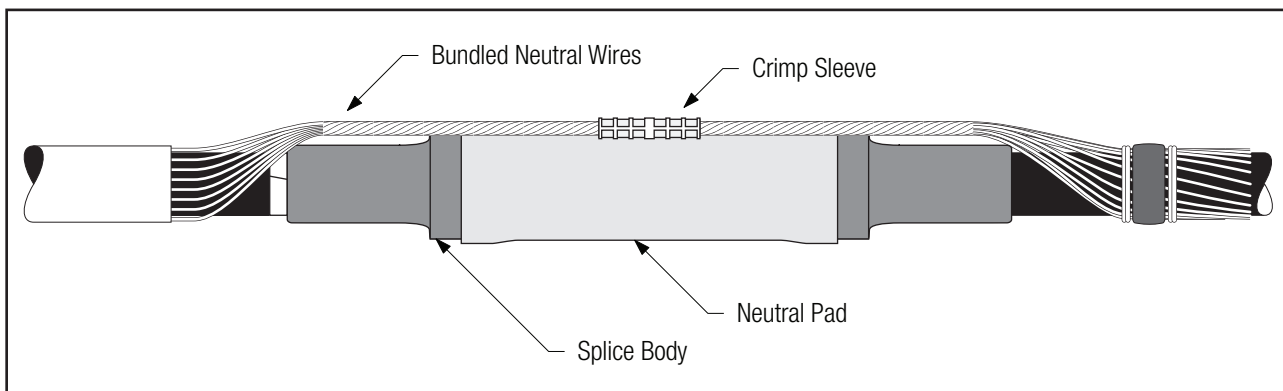


Figure 38

# For CN to JCN Transition Splices

10.1.2 Apply two wraps of vinyl tape around each end of the neutral pad and over the connector (Figure 39).

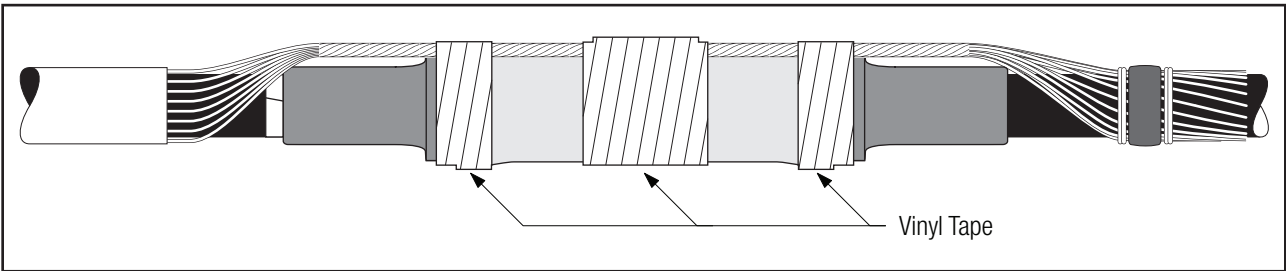


Figure 39

**Go to section 11.0 “Grounding (Optional) for Transition Splices.”**

## 10.2 For neutrals evenly spaced around splice body:

10.2.1 Center neutral pad on splice body. Route neutrals either straight or concentrically around splice body and secure using vinyl tape (Figure 40).

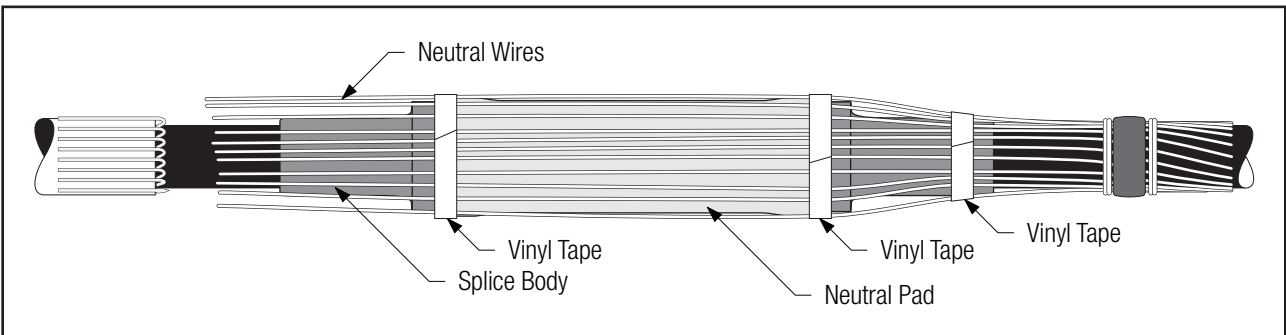


Figure 40

10.2.2 Use a piece of cable jacket, removed during cable preparation, to cover and protect exposed cable semi-con under the area where the neutral and/or ground connection will be made. Secure with tape. Ensure that the cable jacket piece does not touch the splice body (Figure 41).

**Note:** *If grounding splice, leave sufficient neutral wire length to allow for a ground wire connection next to cable jacket or make both neutral and ground connections using a single connector.*

10.2.3 Connect neutrals using a suitable compression connector ("INLINE", "C", or "H" type) between jacket end and reduced splice diameter. Keep connector profile as low as possible. Crimp connector following the connector manufacturer's recommendation (Figure 41).

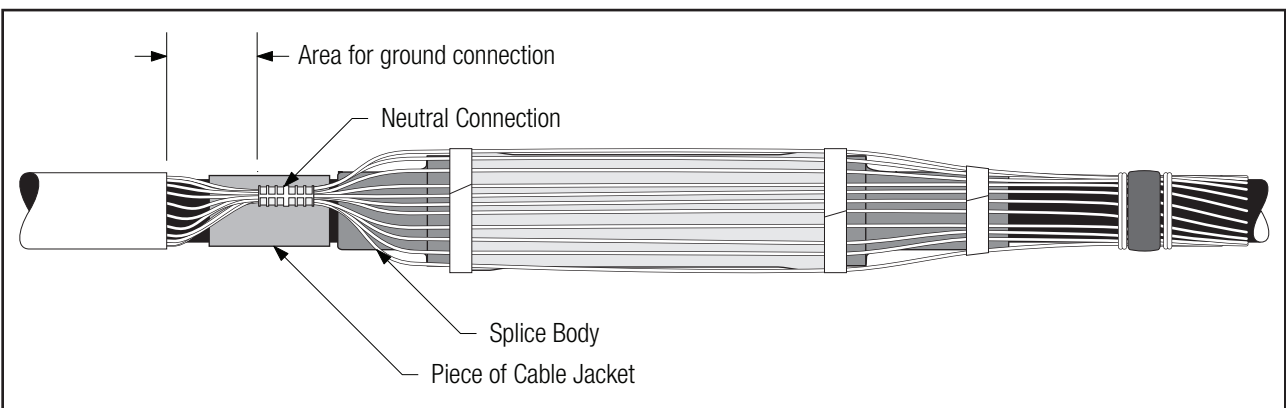


Figure 41

# For CN to JCN Transition Splices

## 11.0 Grounding (Optional) for Transition Splices

**Note:** Use these instructions if circuit grounding is required at this location.

- 11.1 Connect a ground wire to the neutrals, in the area where the splice diameter is reduced. To protect the cable semicon, place a piece of cable jacket (removed during the cable preparation) under the ground connector. Ensure that the cable jacket piece does not touch the splice body. Keep connector profile as low as possible. For C-Tap or H-Tap connectors, position flat against the cable (*Figure 42*).

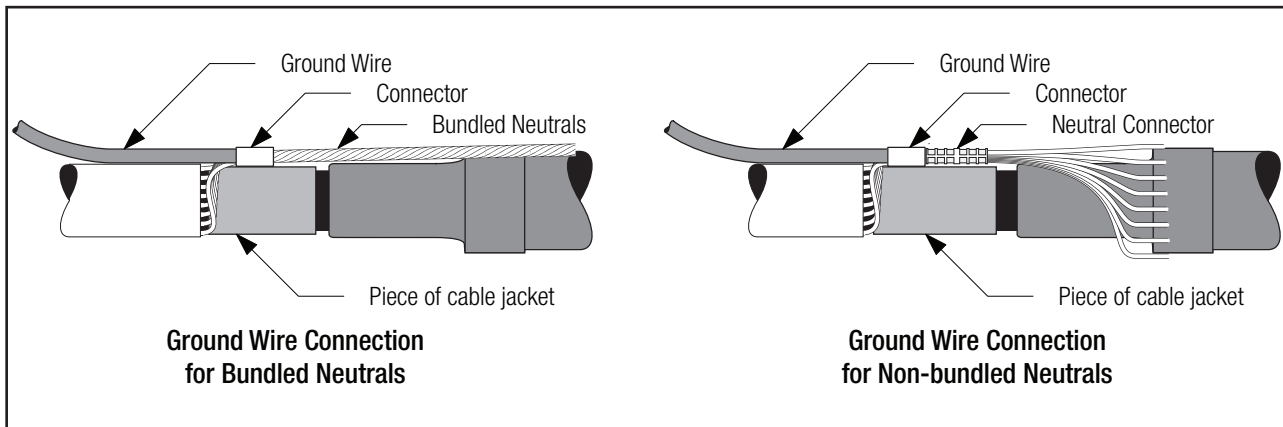


Figure 42

- 11.2 Cut one mastic sealing strip into two equal pieces. Place one piece on the cable jacket centered under the ground wire, near the jacket end. Roll the two remaining full length mastic strips into small rolls. Place one roll on each side of the ground wire (*Figure 43*).

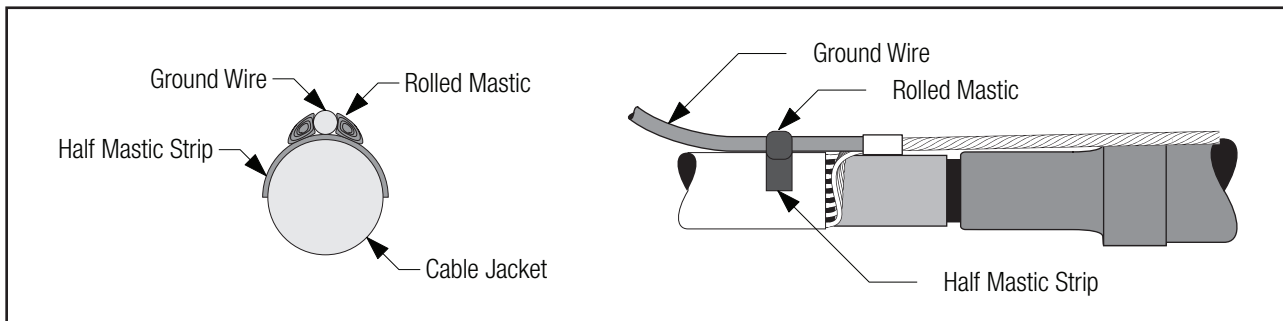


Figure 43

- 11.3 Place the other half mastic strip over ground wire and two rolls. Press the mastic around the ground wire and to the cable jacket. Overwrap the connectors with vinyl tape (*Figure 44*).

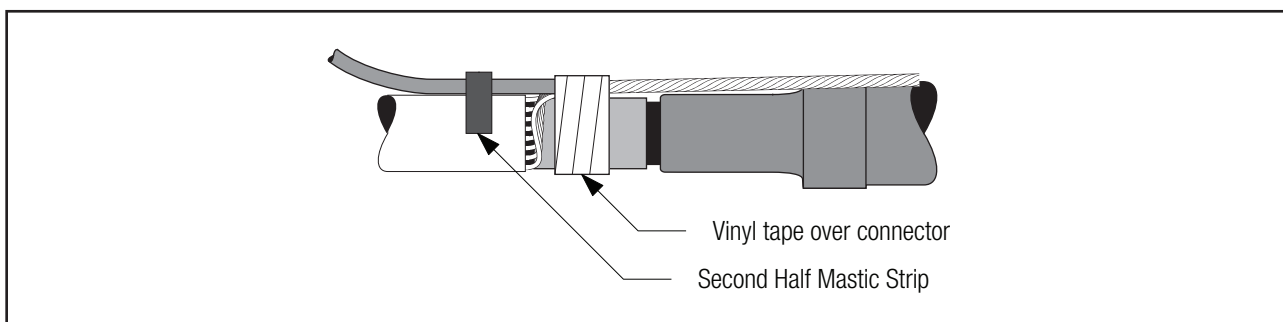


Figure 44

# For CN to JCN Transition Splices

## 12.0 Install Jacket for Transition Splices

**Note:** *Jacketing is not optional.*

12.1 Apply one roll of slightly stretched rubber mastic tape around JCN cable jacket end (tacky side toward cable). If ground wire is connected, apply rubber tape over mastic sealing strips. Apply one roll of rubber mastic tape over CN cable mastic seal (tacky side toward cable). Stretch and tear off the end of the rubber mastic as shown (*Figure 45*).

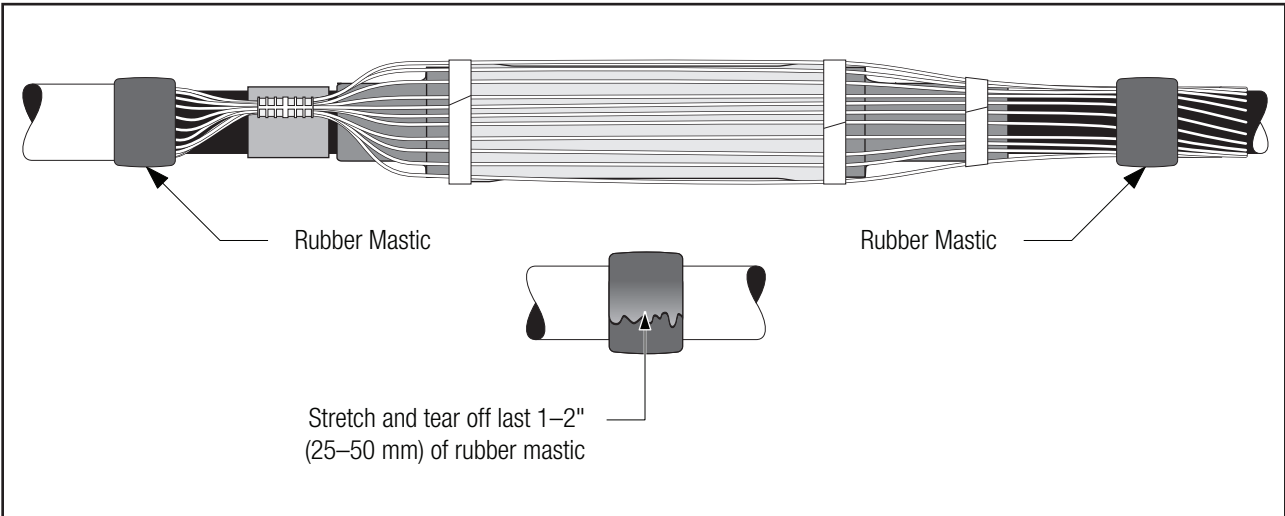


Figure 45

12.2 Begin to install the cold shrink tube by completely covering the rubber mastic, and slowly pulling and unwinding the inner core counterclockwise toward the splice body. The outer core should remain relatively stationary while unwinding the inner core. If the outer core begins to move towards the first mastic seal, gently pull the outer core and jacketing tube towards the second mastic seal and continue unwinding the inner core (*Figure 46*).

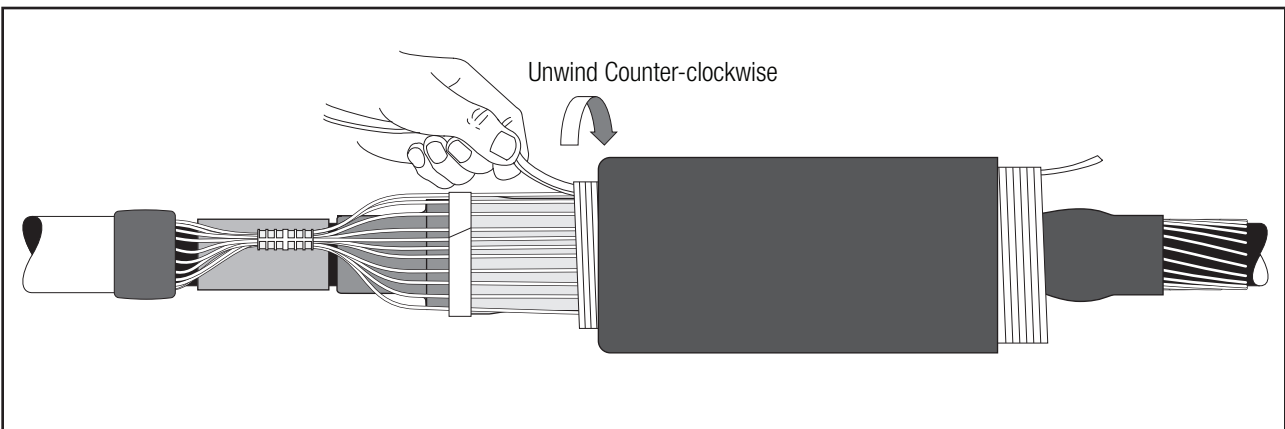


Figure 46

## For CN to JCN Transition Splices

12.3 Continue to install the cold shrink tube over the rubber mastic on the other cable by slowly pulling and unwinding the outer core counterclockwise. This portion of the cold shrink tube installs differently than typical cold shrink products in that as the tube shrinks, the end rolls under. The tube may need a slight push to get over the second mastic seal (*Figure 47*).

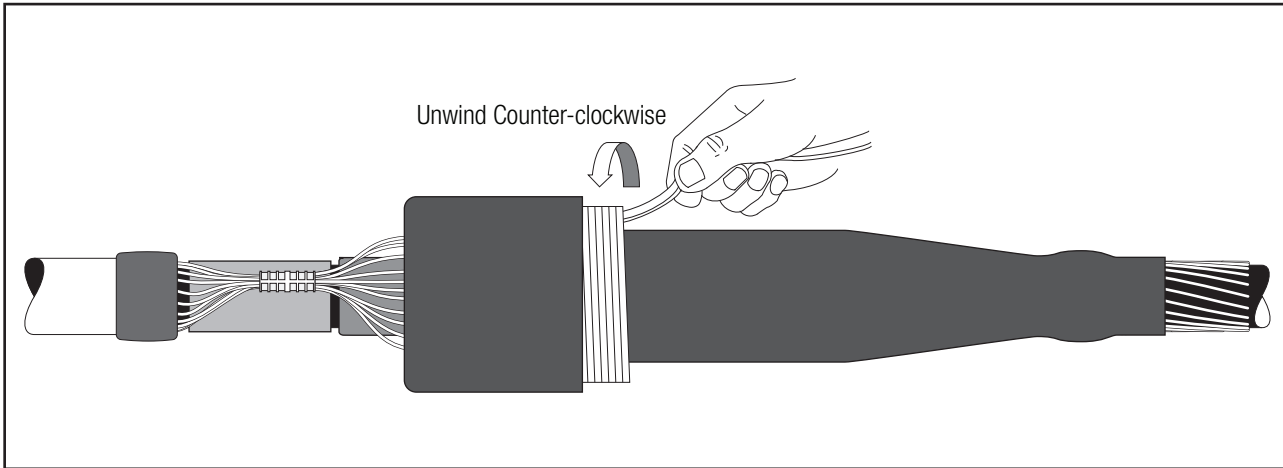


Figure 47

**Note:** *In applications where the splice is regularly exposed to high levels of ultra-violet radiation (i.e. direct sunlight), wrap two half-lapped layers of Scotch® Super 33+™ Vinyl Electrical Tape or Scotch Vinyl Electrical Tape Super 88 over the re-jacketing tubes.*

**Note:** *Connect optional grounding.*

## Crimping Tool - Die Sets (number of crimps/end)

3M™ Connector No.	Conductor Size (AWG or kcmil)	Burndy Corporation					Thomas & Betts Corp.			Square D Co. Anderson Div.	Kearney
		MD6	MY29	Y34A	Y35, Y39, Y45*, Y46*	Y1000**	TBM 5	TBM 8	TBM 15	VC6-3** VC6-FT**	Type O
CI-22 (Al/Cu)	2 sol.	BG (3)	---	U243 (1)	U25ART (1)	---	---	Olive(2)	50(1)	(1)	5/8-1 (3)
10003 (Cu)	2 str.	W162(2)	2 AWG(1)	A2CR(1)	U2CRT(2)	---	Brown(1)	Brown(1)	33(1)	(1)	---
20003 (Al/Cu)	2 str.	W163(3)	2AWG (1)	A2CAB(1)	UTCABT(1)	(1)	Pink(2)	Pink(2)	42H(2)	(1)	1/2 (3)
CI-21 (Al/Cu)	2 str.	BG (3)	---	U243 (1)	U25ART(1)	---	---	Olive(2)	50(1)	(1)	5/8-1 (3)
10004 (Cu)	1	---	1 AWG(1)	A1CR(1)	U1CRT(2)	---	Green(1)	Green(1)	37(1)	(1)	---
20004 (Al/Cu)	1	W163(3)	1 AWG(1)	A1CAB(1)	U1CART(1)	(1)	Gold(2)	Gold(2)	45(1)	(1)	1/2 (3)
CI-21 (Al/Cu)	1	BG (3)	---	U243 (1)	U25ART(1)	---	---	Olive(2)	50(1)	(1)	5/8-1 (3)
10005 (Cu)	1/0	W163(2)	1/0(1)	A25R(1)	U25RT(1)	---	Pink(2)	Pink(2)	42(2)	(1)	---
20005 (Al/Cu)	1/0	W241(2)	1/0(1)	A25AR(1)	U25ART(1)	(1)	Tan(2)	Tan(2)	50(1)	(1)	5/8-1 (3)
CI-1/0 (Al/Cu)	1/0	BG (3)	---	U243 (1)	U25ART(1)	---	---	Olive(2)	50(1)	(1)	5/8-1 (3)
10006 (Cu)	2/0	W241(2)	2/0(1)	A26R(1)	U26RT(2)	---	Black(2)	Black(2)	45(1)	(1)	---
20006 (Al/Cu)	2/0	BG(4)	2/0(1)	A26AR(2)	U26ART(2)	(1)	Olive(2)	Olive(2)	54H(2)	(2)	5/8-1 (3)
11006 (Cu)	2/0	W241(3)	2/0(2)	A26R(2)	U26RT(2)	---	Black(3)	Black(3)	45(2)	(2)	---
CI-2/0 (Al/Cu)	2/0	W249(3)	---	---	U28ART(2)	---	---	Blue(4)	76(2)	(2)	840 (4)
10007 (Cu)	3/0	W243(2)	3/0(1)	A27R(1)	U27RT(2)	---	Orange(2)	Orange(2)	50(1)	(1)	---
20007 (Al/Cu)	3/0	W166(4)	3/0(1)	---	U27ART(2)	(1)	Ruby(2)	Ruby(2)	60(2)	(2)	737 (3)
11007 (Cu)	3/0	W243(3)	3/0(2)	A27R(2)	U27RT(3)	---	Orange(3)	Orange(3)	50(2)	(2)	---
CI-3/0 (Al/Cu)	3/0	W249(3)	---	---	U28ART(2)	---	---	Blue(4)	76(2)	(2)	840 (4)
10008 (Cu)	4/0	BG(3)	4/0(1)	A28R(2)	U28RT(2)	---	Purple(2)	Purple(2)	54H(2)	(2)	---
20008 (Al/Cu)	4/0	W660(4)	4/0(2)	A26AR(2)	U28ART(2)	(1)	---	White(4)	66(4)	(2)	840 (4)
11008 (Cu)	4/0	BG(4)	4/0(2)	A28R(3)	U28RT(3)	---	Purple(3)	Purple(3)	54H(3)	(3)	---
CI-4/0 (Al/Cu)	4/0	W249(3)	---	---	U28ART(2)	---	---	Blue(4)	76(2)	(2)	840 (4)

\*Y45 and Y46 accept all Y35 dies ("U Series"). For Y45, use PT6515 adapter. For Y46, use PUADP adapter.

\*\*Anderson VC6-3, VC6-FT and Burndy Y1000 require no die set.

3M and Super 33+ are trademarks of 3M Company. Scotch is a registered trademark of 3M Company.

All other trademarks are property of their respective owners.

#### **Important Notice**

All statements, technical information, and recommendations related to 3M's products are based on information believed to be reliable, but the accuracy or completeness is not guaranteed. Before using this product, you must evaluate it and determine if it is suitable for your intended application. You assume all risks and liability associated with such use. Any statements related to the product which are not contained in 3M's current publications, or any contrary statements contained on your purchase order shall have no force or effect unless expressly agreed upon, in writing, by an authorized officer of 3M.

#### **Warranty; Limited Remedy; Limited Liability.**

This product will be free from defects in material and manufacture for a period of one (1) year from the time of purchase. **3M MAKES NO OTHER WARRANTIES INCLUDING, BUT NOT LIMITED TO, ANY IMPLIED WARRANTY OF MERCHANTABILITY OR FITNESS FOR A PARTICULAR PURPOSE.** If this product is defective within the warranty period stated above, your exclusive remedy shall be, at 3M's option, to replace or repair the 3M product or refund the purchase price of the 3M product. **Except where prohibited by law, 3M will not be liable for any indirect, special, incidental or consequential loss or damage arising from this 3M product, regardless of the legal theory asserted.**



#### **Electrical Markets Division**

6801 River Place Blvd.  
Austin, TX 78726-9000  
800-245-3573  
Fax 800-245-0329  
[www.3M.com/electrical](http://www.3M.com/electrical)

Please Recycle. Printed in USA.  
© 3M 2010. All Rights Reserved.  
78-8125-9880-9-C