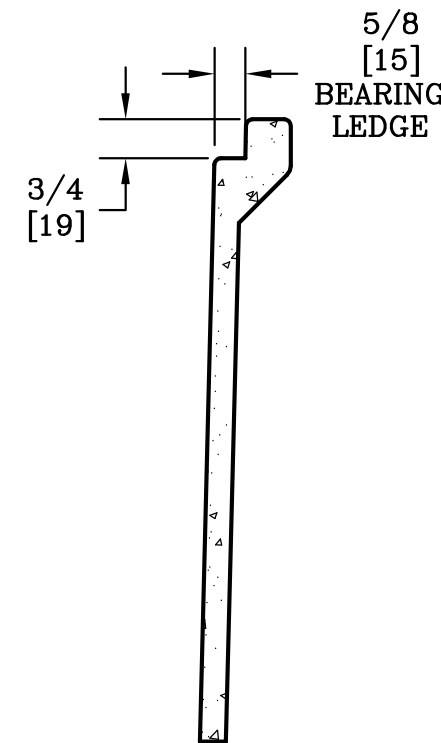
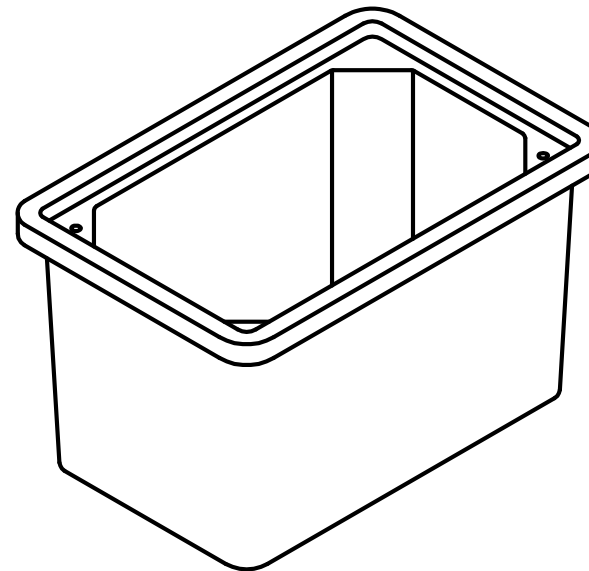
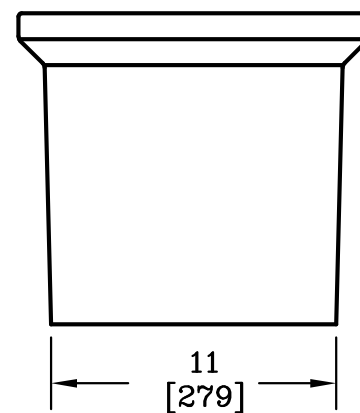
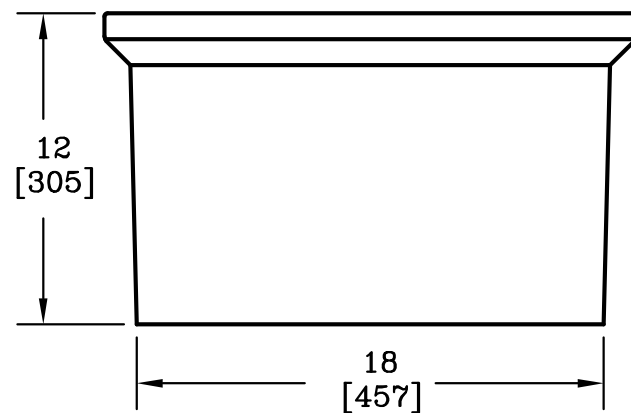


3/8-7 SELF ALIGNING,  
REPLACEABLE S.S. EZ-NUT  
2 PLACES



**SECTION A-A**

SCALE: 3"=1'



**NOTE:**

1. DIMENSIONS IN BRACKETS ARE IN MILLIMETERS UNLESS OTHERWISE NOTED.



DIMENSIONS ARE IN INCHES OR MILLIMETERS IN BRACKETS UNLESS OTHERWISE NOTED.				HUBBELL® 3621 INDUSTRIAL PARK DR LENOIR CITY, TN 37771 800-346-3062 www.quazite.com		LOC
DRN	BY	DATE	WEIGHT	SCALE	DRAWING DESCRIPTION	S
CHK	ENG	APR	39# 18kg			1 1/2"=1'
APR	F.M.P.	2/22/89	SIZE	B	QUAZITE® BOX	J
PROJECT NUMBER				DRAWING NUMBER		3/12
90241				PC1118BA12		
SHEET 1 OF 1						