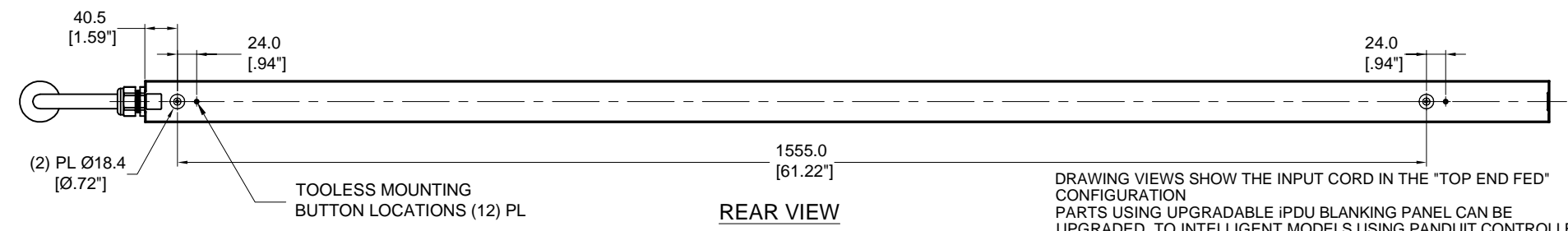
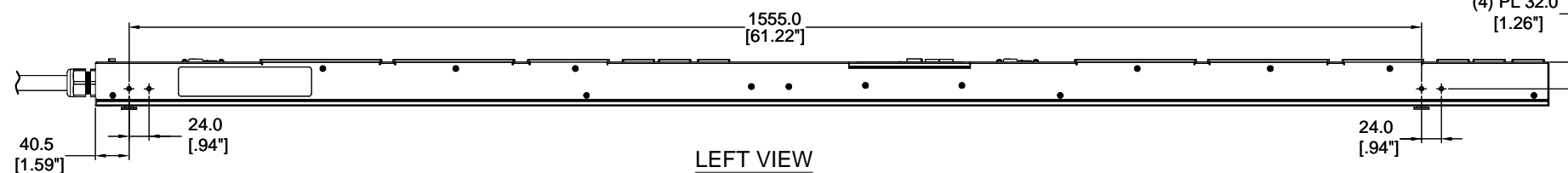
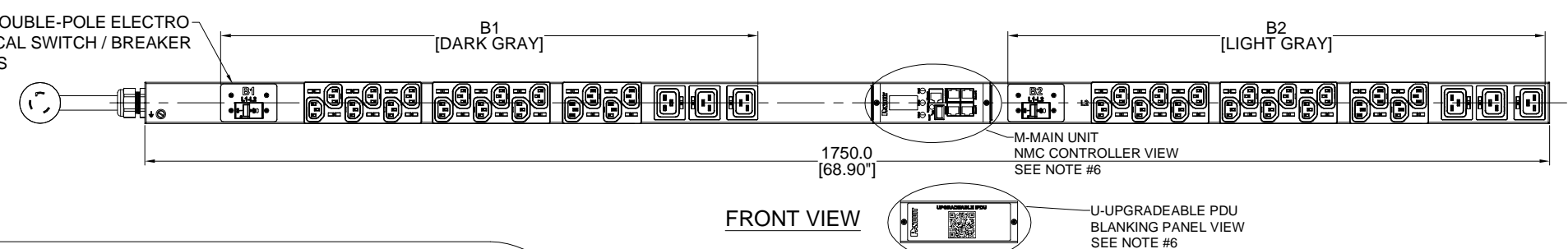
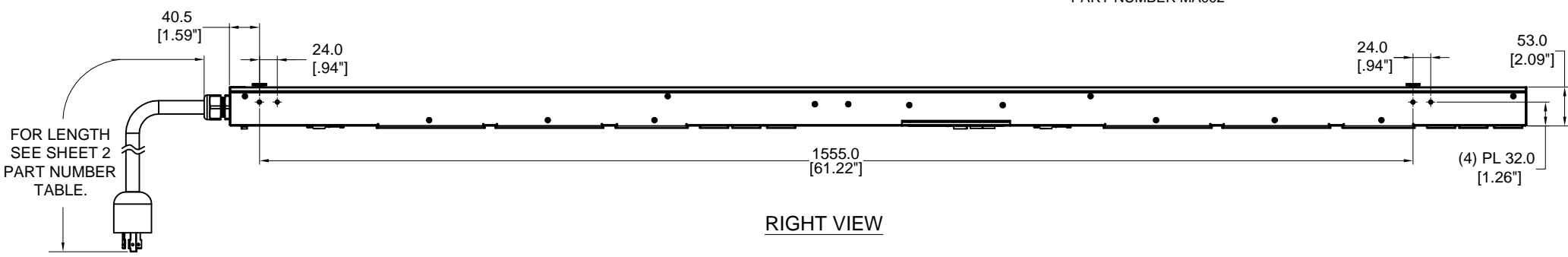


THIS COPY IS PROVIDED ON A RESTRICTED BASIS AND IS NOT TO BE USED IN ANY WAY DETRIMENTAL TO THE INTERESTS OF PANDUIT CORP.

PANDUIT P/N	WEIGHT
SEE SHEET 2	SEE SHEET 2



DRAWING VIEWS SHOW THE INPUT CORD IN THE "TOP END FED" CONFIGURATION
PARTS USING UPGRADABLE IPDU BLANKING PANEL CAN BE UPGRADED TO INTELLIGENT MODELS USING PANDUIT CONTROLLER PART NUMBER MA002



SPECIFICATION:

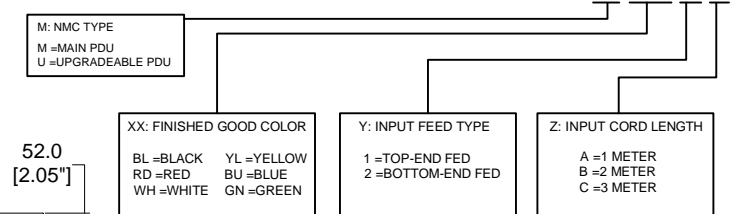
- 1. STANDARD:
 - UNIT TYPE: SEE SHEET 2
 - ORIENTATION: VERTICAL, 0U FULL
 - OUTLET QTY & TYPE: (32) C13, (6) C19
 - INPUT VOLTAGE: 200-240VAC
 - INPUT CURRENT: 30A (24A DERATED)
 - BREAKER QTY & TYPE: (2) 20AMP, DOUBLE-POLE
 - INPUT PHASE: SINGLE-PHASE
 - RATED POWER: 5.0 KVA
 - INPUT PLUG: NEMA L6-30P
 - INPUT POWER CORD: SEE SHEET 2 FOR PART NUMBER TABLE
 - REGULATORY STANDARD: RoHS COMPLIANT
- 2. ADDITIONAL: NONE
- 3. ACCESSORIES: (1) QUICK-START GUIDE

NOTES:

- PRIMARY DIMENSIONS ARE IN MILLIMETERS. SECONDARY DIMENSION ARE IN [INCHES]
- INSTALLATION SHALL COMPLY WITH ALL APPLICABLE NATIONAL, STATE, AND LOCAL CODES
- VISIT OUR ON-LINE CATALOG AT WWW.PANDUIT.COM FOR A CURRENT LIST OF PRODUCTS APPLICABLE FOR USE WITH THIS PART
- FOR FULL PRODUCT FUNCTIONALITY REFER TO USER MANUAL
- DRAWING VIEWS SHOW THE INPUT CORD IN THE "TOP END FED" CONFIGURATION
- PARTS USING UPGRADABLE IPDU BLANKING PANEL CAN BE UPGRADED TO INTELLIGENT MODELS USING PANDUIT CONTROLLER PART NUMBER MA002

IDENTIFICATION

FOR FINISHED GOOD PART NUMBER & DESCRIPTION TABLE SEE SHEET 2 CONFIGURABLE PART NUMBERS: **P38D25M-XX Y Z**



BOTTOM VIEW

WE ASK THAT YOU CHECK FULLY THE DIMENSIONS, NOTES, AND SIGN THE CLIENT SIGNATURE BOX. THE JOB WILL NOT PROGRESS WITHOUT SIGNED APPROVAL. PLEASE DO NOT DELAY IN RETURNING PROOF AS IT WILL AFFECT DELIVERY.

TITLE		INTELLIGENT SERIES PDU P38D25M-XXYZ CUSTOMER DRAWING	
ITEM REVISION NAME		PANDUIT	
DATASHEET FILE NAME:		MATERIAL/COLOR: N/A	
UNLESS OTHERWISE SPECIFIED DIMENSIONAL TOLERANCE ARE: mm [IN]		DRAWING NUMBER: P38D25M_DC	
Tolerance(mm) 0<L<50 ±0.5 50<L<250 ±1.0 250<L<500 ±1.5 500<L<1000 ±2.5 1000<L<2000 ±4.0		DRAWN BY: WSJ DATE: 07/17/2017 CHK: SEAN SCALE: NONE	
THIRD ANGLE PROJECTION		SHT 1 OF 2	
SCALE: B		SCALE: B	

PLUG/RECEPTACLE BLOCK

- PLUG
NEMA L6 30P, 2P 3W
30A, 250V MAX RATED INPUT
24A DERATED
- RECEPTACLES
IEC 60320/C19
16A, 250V MAX RATED OUTPUT
- RECEPTACLES
IEC 60320/C13
10A, 250V MAX RATED OUTPUT

REV	DATE	BY	CHK	APR	DESCRIPTION	ECN
04A	05/11/2022	FYZ	MIM	MJD	1. ADDED UPGRADEABLE PDU OPTION 2. REMOVED OBSOLETE SKU'S	P38D25M
03A	07/16/2020	CWW	MIM	JAWI	UPDATED THE OUTLET DESIGN	P38D25M
02A	06/07/2018	H.XU	MIM	JAWI	ADDED SHEET 2 WITH CONFIGURABLE PART NUMBER TABLE AND DESCRIPTION UPDATED IDENTIFICATION TO INCLUDE CONFIGURABLE OPTION 'DE-CODER'	P38D25M
01A	07/17/2017	WSJ	MIM	EDM	INITIAL RELEASE	P38D25M

2

1

THIS COPY IS PROVIDED ON A RESTRICTED BASIS AND IS NOT TO BE USED IN ANY WAY DETRIMENTAL TO THE INTERESTS OF PANDUIT CORP.

MAIN PDU CONFIGURATIONS				
FINISHED GOOD PART NUMBER	FINISHED GOOD DESCRIPTION	COLOR	INPUT CORD LENGTH	WEIGHT
P38D25M	VERTICAL,(32) C13,(6) C19,MONITORED INPUT, 200-240V/30A/1 PHASE , TOP-END FED, 3 METER INPUT CORD, BLACK	BLACK (RAL 9005)	3M(+254MM/-127MM) 10'[+10"/-5"]	10.2kg
P38D25M-BL1A	VERTICAL,(32) C13,(6) C19,MONITORED INPUT, 200-240V/30A/1 PHASE , TOP-END FED, 1 METER INPUT CORD, BLACK	BLACK (RAL 9005)	1M(+178MM/-89MM) 3.3'[+3.5"/-1.75"]	9.4kg
P38D25M-RD1A	VERTICAL,(32) C13,(6) C19,MONITORED INPUT, 200-240V/30A/1 PHASE , TOP-END FED, 1 METER INPUT CORD, RED	RED (RAL 3020)	1M(+178MM/-89MM) 3.3'[+3.5"/-1.75"]	9.4kg
P38D25M-RD1C	VERTICAL,(32) C13,(6) C19,MONITORED INPUT, 200-240V/30A/1 PHASE , TOP-END FED, 3 METER INPUT CORD, RED	RED (RAL 3020)	3M(+254MM/-127MM) 10'[+10"/-5"]	10.2kg
P38D25M-YL1A	VERTICAL,(32) C13,(6) C19,MONITORED INPUT, 200-240V/30A/1 PHASE , TOP-END FED, 1 METER INPUT CORD, YELLOW	YELLOW (RAL 1023)	1M(+178MM/-89MM) 3.3'[+3.5"/-1.75"]	9.4kg
P38D25M-YL1C	VERTICAL,(32) C13,(6) C19,MONITORED INPUT, 200-240V/30A/1 PHASE , TOP-END FED, 3 METER INPUT CORD, YELLOW	YELLOW (RAL 1023)	3M(+254MM/-127MM) 10'[+10"/-5"]	10.2kg
P38D25M-BU1A	VERTICAL,(32) C13,(6) C19,MONITORED INPUT, 200-240V/30A/1 PHASE , TOP-END FED, 1 METER INPUT CORD, BLUE	BLUE (RAL 5005)	1M(+178MM/-89MM) 3.3'[+3.5"/-1.75"]	9.4kg
P38D25M-BU1C	VERTICAL,(32) C13,(6) C19,MONITORED INPUT, 200-240V/30A/1 PHASE , TOP-END FED, 3 METER INPUT CORD, BLUE	BLUE (RAL 5005)	3M(+254MM/-127MM) 10'[+10"/-5"]	10.2kg
P38D25M-BL2A	VERTICAL,(32) C13,(6) C19,MONITORED INPUT, 200-240V/30A/1 PHASE , BOTTOM-END FED, 1 METER INPUT CORD, BLACK	BLACK (RAL 9005)	1M(+178MM/-89MM) 3.3'[+3.5"/-1.75"]	9.4kg
P38D25M-BL2C	VERTICAL,(32) C13,(6) C19,MONITORED INPUT, 200-240V/30A/1 PHASE , BOTTOM-END FED, 3 METER INPUT CORD, BLACK	BLACK (RAL 9005)	3M(+254MM/-127MM) 10'[+10"/-5"]	10.2kg
P38D25M-RD2A	VERTICAL,(32) C13,(6) C19,MONITORED INPUT, 200-240V/30A/1 PHASE , BOTTOM-END FED, 1 METER INPUT CORD, RED	RED (RAL 3020)	1M(+178MM/-89MM) 3.3'[+3.5"/-1.75"]	9.4kg
P38D25M-RD2C	VERTICAL,(32) C13,(6) C19,MONITORED INPUT, 200-240V/30A/1 PHASE , BOTTOM-END FED, 3 METER INPUT CORD, RED	RED (RAL 3020)	3M(+254MM/-127MM) 10'[+10"/-5"]	10.2kg
P38D25M-YL2A	VERTICAL,(32) C13,(6) C19,MONITORED INPUT, 200-240V/30A/1 PHASE , BOTTOM-END FED, 1 METER INPUT CORD, YELLOW	YELLOW (RAL 1023)	1M(+178MM/-89MM) 3.3'[+3.5"/-1.75"]	9.4kg
P38D25M-YL2C	VERTICAL,(32) C13,(6) C19,MONITORED INPUT, 200-240V/30A/1 PHASE , BOTTOM-END FED, 3 METER INPUT CORD, YELLOW	YELLOW (RAL 1023)	3M(+254MM/-127MM) 10'[+10"/-5"]	10.2kg
P38D25M-BU2A	VERTICAL,(32) C13,(6) C19,MONITORED INPUT, 200-240V/30A/1 PHASE , BOTTOM-END FED, 1 METER INPUT CORD, BLUE	BLUE (RAL 5005)	1M(+178MM/-89MM) 3.3'[+3.5"/-1.75"]	9.4kg
P38D25M-BU2C	VERTICAL,(32) C13,(6) C19,MONITORED INPUT, 200-240V/30A/1 PHASE , BOTTOM-END FED, 3 METER INPUT CORD, BLUE	BLUE (RAL 5005)	3M(+254MM/-127MM) 10'[+10"/-5"]	10.2kg
UPGRADEABLE PDU CONFIGURATIONS				
FINISHED GOOD PART NUMBER	FINISHED GOOD DESCRIPTION	COLOR	INPUT CORD LENGTH	WEIGHT
P38D25U	UPGRADEABLE,VERTICAL,(32) C13,(6) C19,MONITORED INPUT, 200-240V/30A/1 PHASE , TOP-END FED, 3 METER INPUT CORD, BLACK	BLACK (RAL 9005)	3M(+254MM/-127MM) 10'[+10"/-5"]	9.9kg

REV	DATE	BY	CHK	APR	DESCRIPTION	ECN
04A	05/11/2022	FYZ	MIM	MJD	1.ADDDED UPGRADEABLE PDU OPTION 2.REMOVED OBSOLETED SKU'S	P38D25M
03A	07/16/2020	CWW	MIM	JAWI	UPDATED THE OUTLET DESIGN	P38D25M
02A	06/07/2018	H.XU	MIM	JAWI	ADDED SHEET 2 WITH CONFIGURABLE PART NUMBER TABLE AND DESCRIPTION UPDATED IDENTIFICATION TO I NCLUDE CONFIGURABLE OPTION 'DE-CODER'	P38D25M
01A	07/17/2017	WSJ	MIM	EDM	INITIAL RELEASE	P38D25M

WE ASK THAT YOU CHECK FULLY THE DIMENSIONS, NOTES, AND SIGN THE CLIENT SIGNATURE BOX. THE JOB WILL NOT PROGRESS WITHOUT SIGNED APPROVAL. PLEASE DO NOT DELAY IN RETURNING PROOF AS IT WILL AFFECT DELIVERY.		SIGN
		DATE
		PRINT
TITLE INTELLIGENT SERIES PDU P38D25M-XYZ CUSTOMER DRAWING		
ITEM REVISION NAME		
DATASHEET FILE NAME:		
UNLESS OTHERWISE SPECIFIED DIMENSIONAL TOLERANCE ARE: mm [IN]		MATERIAL/COLOR:
Tolerance(mm) 04<50 ±0.5 50<250 ±1.0 250<500 ±1.5 500<1000 ±2.5 1000<2000 ±4.0		DRAWING NUMBER:
THIRD ANGLE PROJECTION		P38D25M_DC
DRAWN BY	DATE	SCALE
WSJ	07/17/2017	NONE
CHK	SCALE	SHT 2 OF 2
SEAN	NONE	B

2

1