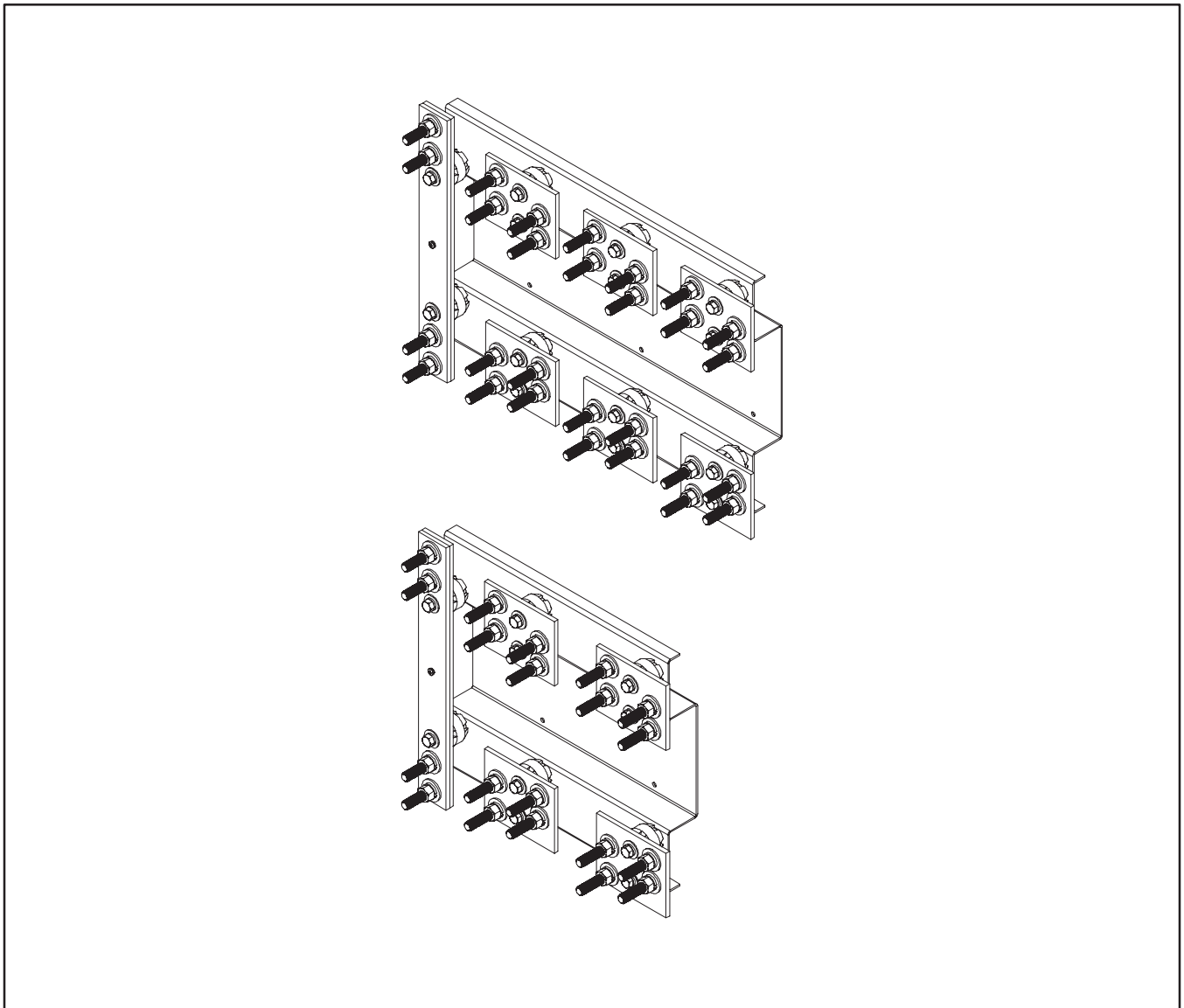
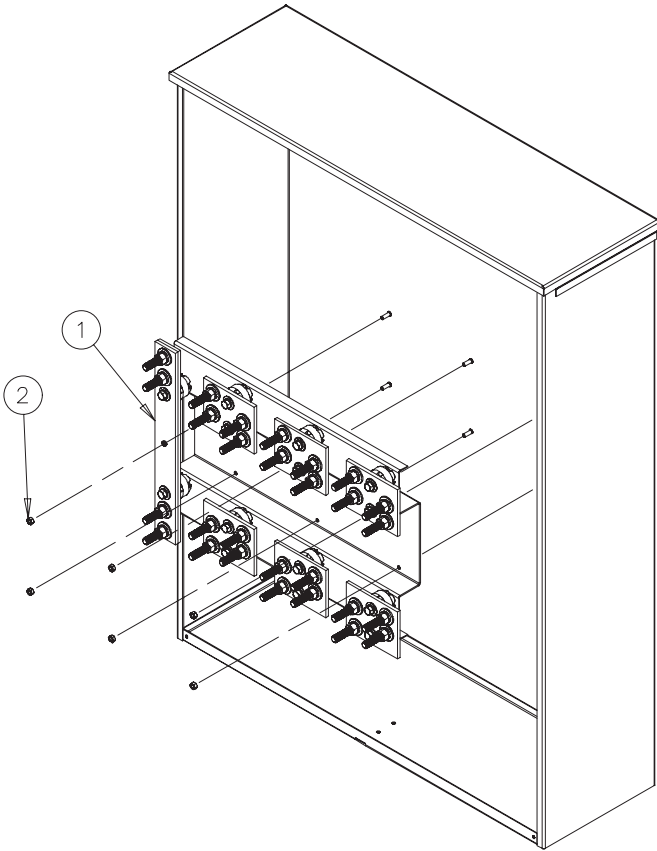


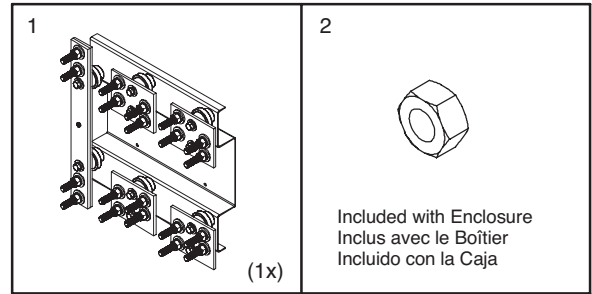
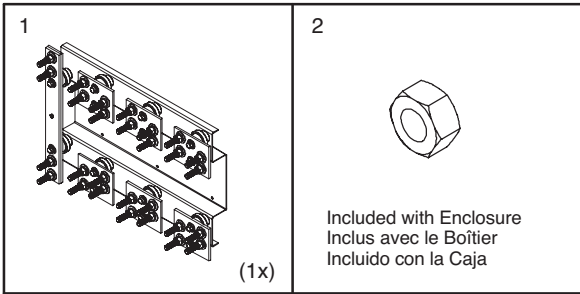
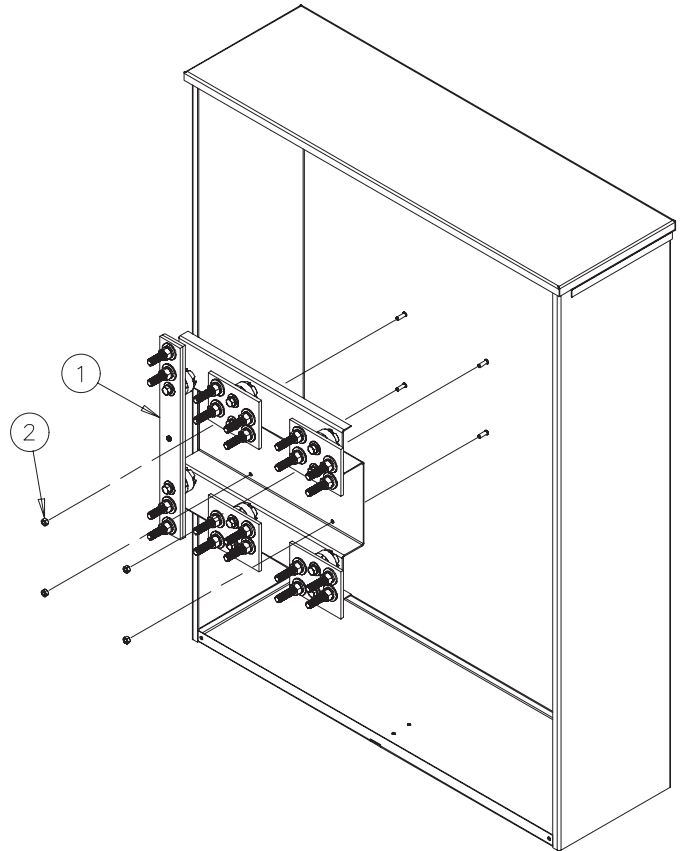
Metering Current Transformer Base  
Fond Régulateur De Transformateur de courant  
Escuadra base Actual Medidora Del Transformador



# CTMB8003



# CTMB8001



Size and Spacing Table – Current Transformer Interiors and Enclosures

Taille et Spacing Table – Current Transformer Interiors et Boîtiers

Tamaño y Tabla de Spacing – Transformador Interiors de Current y Cajas

| Ampacity | Maximum voltage | Service Type | Number of CT Provisions | CT Base Catalog Number | Conductor Connection      | Hoffman UL 50 Enclosure A x B x C | Wire Bend Space** |
|----------|-----------------|--------------|-------------------------|------------------------|---------------------------|-----------------------------------|-------------------|
| 800      | 600             | 3Ø 4W        | 3                       | CTMB8003               | 0.5 Studs on 1.75 centers | 48 x 30 x 11                      | 15.75             |
|          |                 |              |                         |                        |                           | 48 x 36 x 11                      | 15.75             |
| 400      | 600             | 3Ø 4W        | 3                       | CTMB8003               | 0.5 Studs on 1.75 centers | 36 x 30 x 11                      | 9.75              |
|          |                 |              |                         |                        |                           | 48 x 30 x 11                      | 15.75             |
|          |                 |              |                         |                        |                           | 36 x 36 x 11                      | 9.75              |
|          |                 |              |                         |                        |                           | 48 x 36 x 11                      | 15.75             |
| 800      | 600             | 1Ø 3W        | 2                       | CTMB8001               | 0.5 Studs on 1.75 centers | 48 x 24 x 11                      | 15.75             |
|          |                 |              |                         |                        |                           | 48 x 30 x 11                      | 15.75             |
|          |                 |              |                         |                        |                           | 48 x 36 x 11                      | 15.75             |
| 400      | 600             | 1Ø 3W        | 2                       | CTMB8001               | 0.5 Studs on 1.75 centers | 48 x 24 x 11                      | 15.75             |
|          |                 |              |                         |                        |                           | 36 x 30 x 11                      | 9.75              |
|          |                 |              |                         |                        |                           | 48 x 30 x 11                      | 15.75             |
|          |                 |              |                         |                        |                           | 36 x 36 x 11                      | 9.75              |
|          |                 |              |                         |                        |                           | 48 x 36 x 11                      | 15.75             |

\*\* Wire bend space listed does not take the wire terminal into consideration. Consult UL 414, table 10.1 for minimum allowable space requirements based on the wire size and the number of wires per terminal.

\*\* L'espace de courbure de fil énuméré ne prend pas en compte la borne de fil. Consulter l'UL 414, le tableau 10.1 pour le minimum d'espace requis permis basés sur la taille de fil et le nombre de fils par terminal.

\*\* El espacio de la curva del cable enumerado no toma el terminal del cable en la consideración. Consultar UL 414, la Tabla 10.1 para el minimizar de los requisitos permisibles del espacio basados en el tamaño del cable y el número de cables por terminal.



**HOFFMAN**