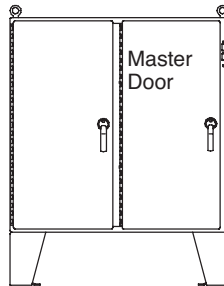


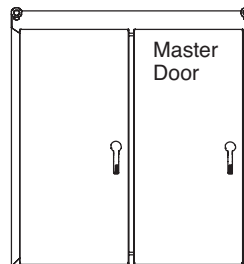
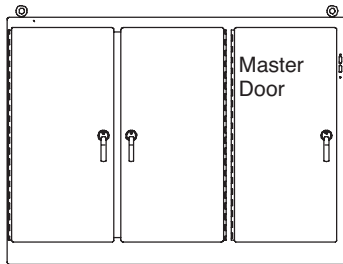
OPERATOR ADAPTER APCCHVA

Installation Instructions for Cutler-Hammer C361 and C371 Variable Depth Operating Mechanisms and C371 Flex Shaft™ Flexible Cable Operating Mechanisms
(For parts list, see page 2)

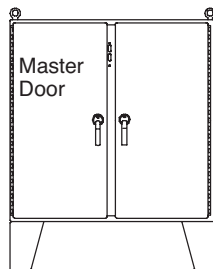
For floor-mounted enclosures with disconnect on the right flange, see pages 3–7 (flexible cable mechanism, see pages 18–22)



For one-, two-, and three-door free-standing enclosures with the disconnect on the right flange, see pages 8–12 (flexible cable mechanism, see pages 18–22)



For floor-mounted enclosures with the disconnect on the centerpost, see pages 13–17 (flexible cable mechanism, see pages 18–22)



WARNING

The functions, fits, and clearances of the installation described hereon are calculated from information supplied by the manufactures of the equipment to be installed. Be certain to check the function, fits, and clearances of all equipment both before and after installation to assure that is operates properly and safely and meets all applicable codes, standards, and regulations.

In the event the completed installation does not function properly or fails to meet any such codes, standards, or regulations, do not attempt to make alterations or operate the equipment. Report such facts immediately to:

Hoffman Customer Service
2100 Hoffman Way
Anoka, MN 55303
763 422 2211
<http://hoffman.nvent.com/contact-us>

PARTS LIST

Operator Adapter, Catalog Number APCCHVA for Cutler-Hammer C361, C371 Disconnects

<u>Item No.</u>	<u>Part Name</u>	<u>Part No.</u>	<u>Quantity</u>
1	Mounting Plate for C-H C361, C371	87400022	1
2	Slide Arm	26250001	1
3	Shoulder Collar	26149001	1
4	Screw, 1/4-20x7/8 Hex HD	99401030	1
5	Lockwasher, 1/4 Spring	99401318	1
6	Washer, Flat	22101003	2
7	Lockwasher, 1/4 Int.	99401300	2
8	Nut, 1/4-20 Hex	99401406	2
9	Door Catch	23101002	1
10	Screw, 10-32x3/8 Pan HD	99401007	2
11	Lockwasher, #10 Int.	99401307	2
12	Label, (extra)	26147001	1
13	Installation Instruction	87416628	1

INTRODUCTION

This installation instruction is for Cutler-Hammer C361, C371 (variable depth) mechanisms. These mechanisms are for disconnect switches and circuit breakers mounted in Hoffman two-door, floor-mounted, enclosures with the disconnect on the right flange.

INSTALLATION STEPS

Step 1 - Position mounting plate (item 1) on the inside of the enclosure, behind the opening provided.

Step 2 - Discard the Cutler-Hammer spring bracket which is normally installed inside the enclosure flange, behind the C-H handle mechanism.

Step 3 - Assemble the Cutler-Hammer handle mechanism through the opening in the enclosure and through the mounting plate. Omit cap screw and lockwasher which fits into bottom hole of the handle mechanism.

Step 4 - Install the slide arm (item 2) through the slot in the bottom of mounting plate (item 1) and over the defeater part of the handle assembly (on C-H handle mechanism). Place the smaller diameter end of the shoulder collar (item 3) through the oval slot in the slide arm. Install long cap screw (item 4) with lockwasher (item 5) through shoulder collar into the bottom mounting hole of the C-H handle mechanism and tighten. The slide arm and defeater should move up and down smoothly. Install door hasp (C-H part) per Cutler-Hammer instructions.

Step 5 - Attach the bottom of the slide arm (item 2) to the offset arm of the lock release mechanism. Use two flat washers (item 6), two lockwashers (item 7), and two hex nuts (item 8). Do not tighten until parts are adjusted. (see Step 6 - (B))

Step 6 - The handle safety lock release mechanism is adjustable in two places.

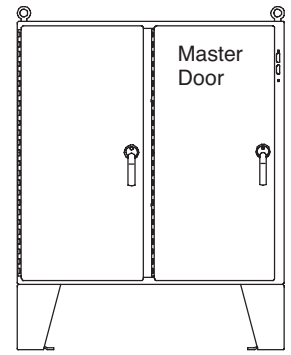
(A) Check the adjustment of the factory installed roller bracket. The door latch should hit against the latch stop portion of the roller bracket when the door is closed and latched. Adjust up or down if necessary. The attached mechanism will then provide the necessary up-down motion required to operate the release mechanism in the C-H handle mechanism.

(B) Adjust the length of the slide arm assembly. With proper adjustment of the slide arm, the safety lock (on Cutler-Hammer handle mechanism) should release just before the master door is fully latched. Lengthen slide arm if safety lock releases too soon. Shorten slide arm if safety lock releases too late.

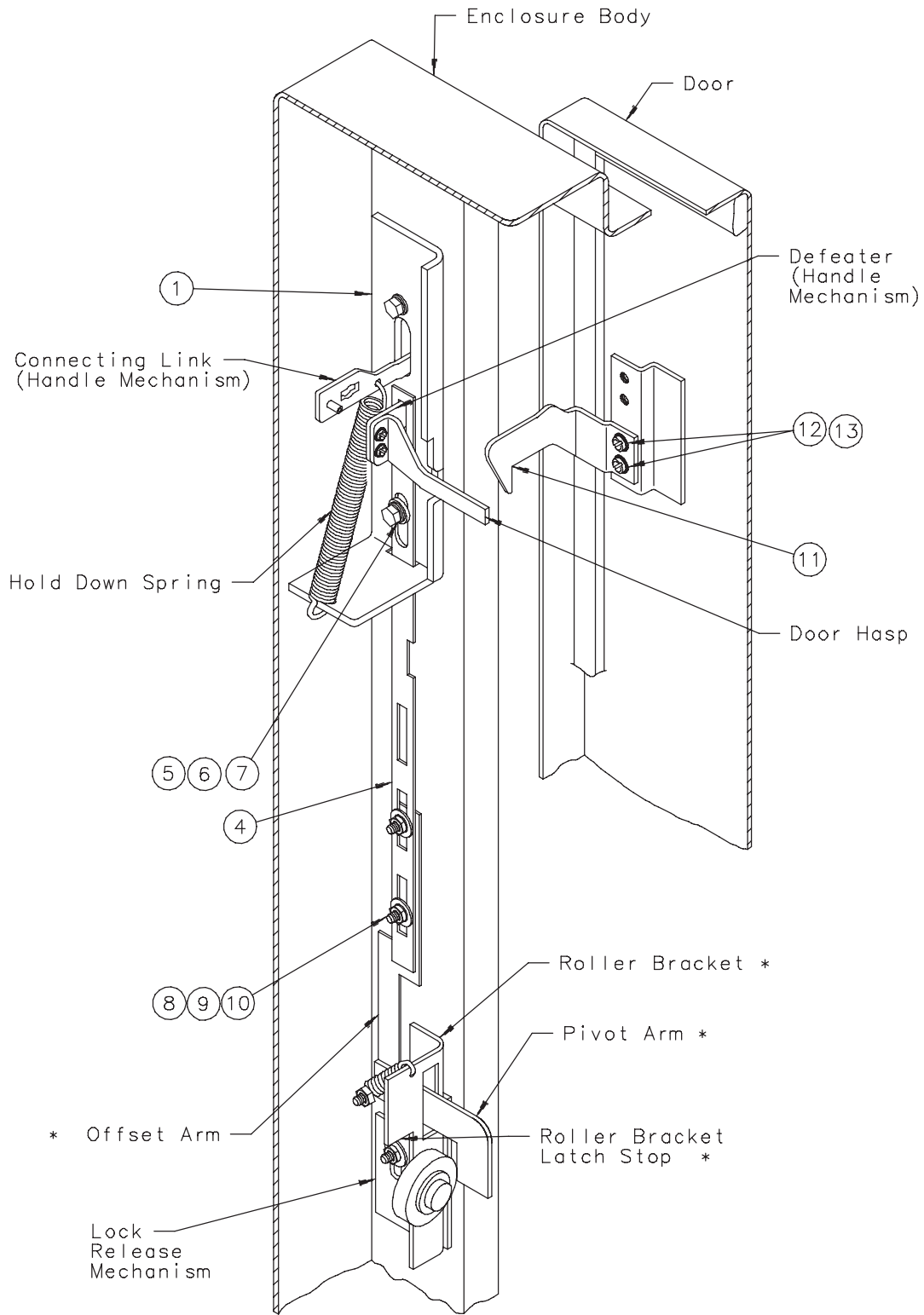
Step 7 - Attach the door catch (item 9), provided by Hoffman, to the tapped spacer on the door using the bottom set of mounting holes. Use two screws (item 10) and lockwashers (item 11). The door catch prevents the door from being opened when the handle mechanism is in the "ON" position. The door catch may be easily bent up or down to hook properly on the door hasp of the Cutler-Hammer handle mechanism.

Step 8 - Drill and tap holes in panel as shown in diagram and table 1. See Cutler-Hammer instructions for locating extra holes for fuse clips.

Step 9 - Mount switch or circuit breaker using Cutler-Hammer instructions and parts. C-H connecting rod must be cut off per Cutler-Hammer instructions. See table 2 for depth dimensions used to determine length of rod.

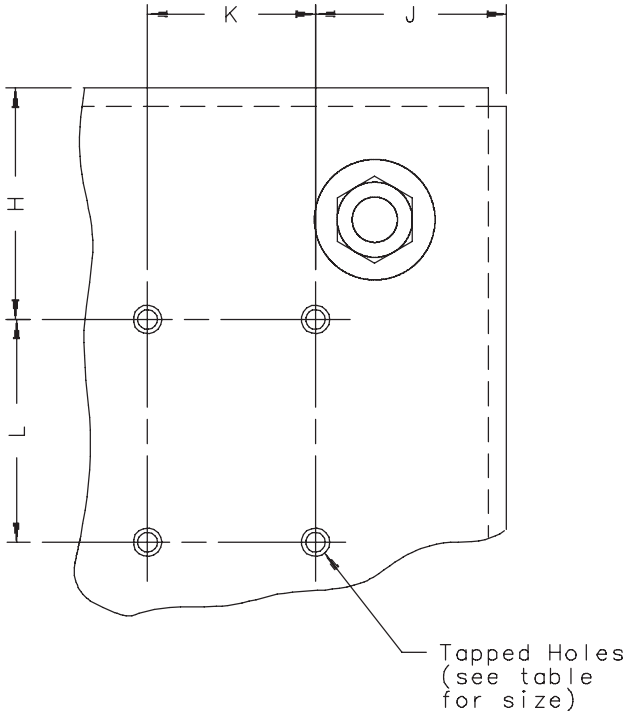


For Floor-Mounted, Two-Door, Enclosures With Disconnect on Right Flange



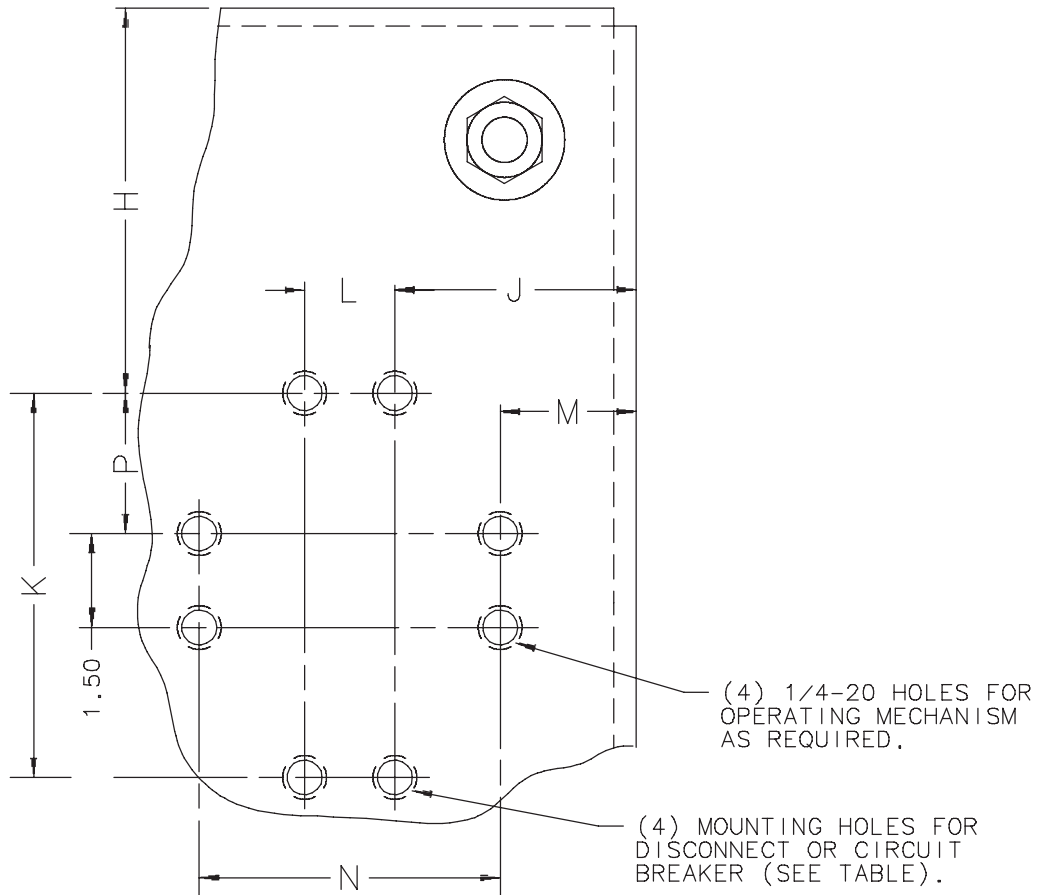
* Parts of lock release mechanism

For Floor-Mounted, Two-Door, Enclosures With Disconnect on Right Flange



Hole Pattern For Disconnect Switch	Size
C361NC/C361SC	30 AMP
C361ND/C361SD	60 AMP
C361NE/C361SE	100 AMP
C361NF/C361SF	200 AMP

For Floor-Mounted, Two-Door, Enclosures With Disconnect on Right Flange



Hole Pattern For Circuit Breaker	Frame Size
HMCP, FS, FH, EHD FDB, FD, HFD	150 AMP
HMCP, JS, JH, JL, JD, JDB, HJD, JDC	250 AMP
HMCP, HK, KS, KD, DK, KDB, HKD	400 AMP
LH, LS, LC	600 AMP

For Floor-Mounted, Two-Door, Enclosure With Disconnect on Right Flange

TABLE 1

Circuit Breaker or Disconnect Switch	Frame Size	H 60.12" HIGH	H 72.12" HIGH	J	K	L	M	N	P	Size of Mounting Holes
C361NC (30A)	-----	4.250	10.250	2.593	4.000	7.125	-----	-----	-----	10-32 UNF
C361SC (30A)	-----	4.250	10.250	2.593	4.000	9.750	-----	-----	-----	10-32 UNF
C361ND (60A)	-----	4.250	10.250	2.593	4.000	7.125	-----	-----	-----	10-32 UNF
C361SD (60A)	-----	4.250	10.250	2.593	4.000	9.750	-----	-----	-----	10-32 UNF
C361NE (100A)	-----	4.063	10.063	2.468	5.500	7.125	-----	-----	-----	10-32 UNF
C361SE (100A)	-----	4.063	10.063	2.468	5.500	11.875	-----	-----	-----	10-32 UNF
C361NF (200A)	-----	DO NOT INSTALL	8.469	.938	8.500	15.500	-----	-----	-----	5/16-18 UNC
C361SF (200A)	-----	DO NOT INSTALL	8.469	.938	8.500	15.500	-----	-----	-----	5/16-18 UNC
HMCP, FS, FH, EHD, FDB, FD, HFD	150A	6.484	12.484	2.734	4.500	1.375	-----	-----	-----	8-32 UNC
JS, JH, JL	250A	6.438	12.438	3.250	7.250	1.375	.422	6.948	2.750	10-32 UNF
HMCP	250A	6.438	12.438	3.250	7.250	1.375	.422	6.948	2.750	1/4-20 UNC
KH, KS, DK, KDB, KD, HKD, KDC	400A	6.000	12.000	3.078	8.438	1.719	.422	6.948	3.180	1/4-20 UNC
HMCP	400A	6.000	12.000	3.078	8.438	1.719	.422	6.948	4.000	1/4-20 UNC
LH, LS, LC	600A	DO NOT INSTALL	10.094	4.000	9.53	2.750	.344	10.050	4.320	1/4-20 UNC

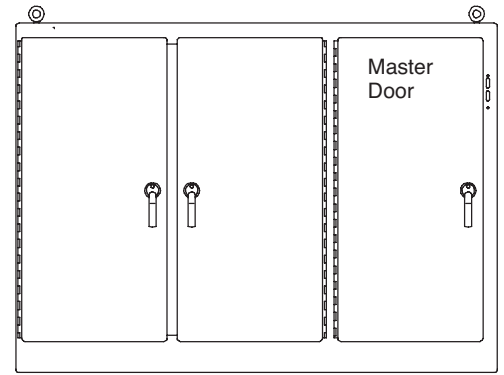
TABLE 2

Hoffman Disconnect Enclosure Description	Enclosure Depth	Cutler-Hammer
	C	D (1)
Two-Door, Floor-Mounted Disconnect on Right Flange	12.13	10.91
	18.13	16.91 (2)
	24.13	22.91 (2)

- 1) This dimension is used to determine length to cut Cutler-Hammer connecting rods. See Cutler-Hammer instructions
- 2) This dimension may be greater than the depth range of standard Cutler-Hammer connecting rods. A six inch platform is provided with 24.13 inch deep enclosures to reduce the depth for disconnect mounting. The platform can be eliminated if longer connecting rods are ordered from Cutler-Hammer. (C371-CS1 or C371-CS2)

INTRODUCTION

This installation instruction is for Cutler-Hammer C361, C371 (variable depth) mechanisms. These mechanisms are for disconnect switches and circuit breakers mounted in Hoffman one-, two-, and three-door, free-standing, enclosures with the disconnect on the right flange.



INSTALLATION STEPS

Step 1 - Position Mounting plate (item 1) on the inside of the enclosure, behind the opening provided.

Step 2 - Discard the Cutler-Hammer spring bracket which is normally installed inside the enclosure flange behind the C-H handle mechanism.

Step 3 - Assemble the Cutler-Hammer handle mechanism through the opening in the enclosure and through the mounting plate. Omit cap screw and lockwasher which fits into bottom hole of the handle mechanism.

Step 4 - Install the slide arm (item 2) through the slot in the bottom of the mounting plate (item 1) and over the defeater part of the handle assembly (on C-H handle mechanism). Place the smaller diameter end of the shoulder collar (item 3) through the oval slot in the slide arm. Install long cap screw (item 4) with lockwasher (item 5) through shoulder collar into the bottom mounting hole of the C-H handle mechanism and tighten. The slide arm and defeater should move up and down smoothly. Install door hasp (C-H part) per Cutler-Hammer instructions.

Step 5 - Attach the bottom of the slide arm (item 2) to the offset arm of the lock release mechanism. Use two flat washers (item 6), two lockwashers (item 7), and two hex nuts (item 8). Do not tighten until parts are adjusted. (see Step 6 - (B))

Step 6 - The handle safety lock release mechanism is adjustable in two places.

(A) Check the adjustment of the factory installed roller bracket. The door latch should hit against the latch stop portion of the roller bracket when the door is closed and latched. Adjust up or down if necessary. The attached mechanism will then provide the necessary up-down motion required to operate the release mechanism in the C-H handle mechanism.

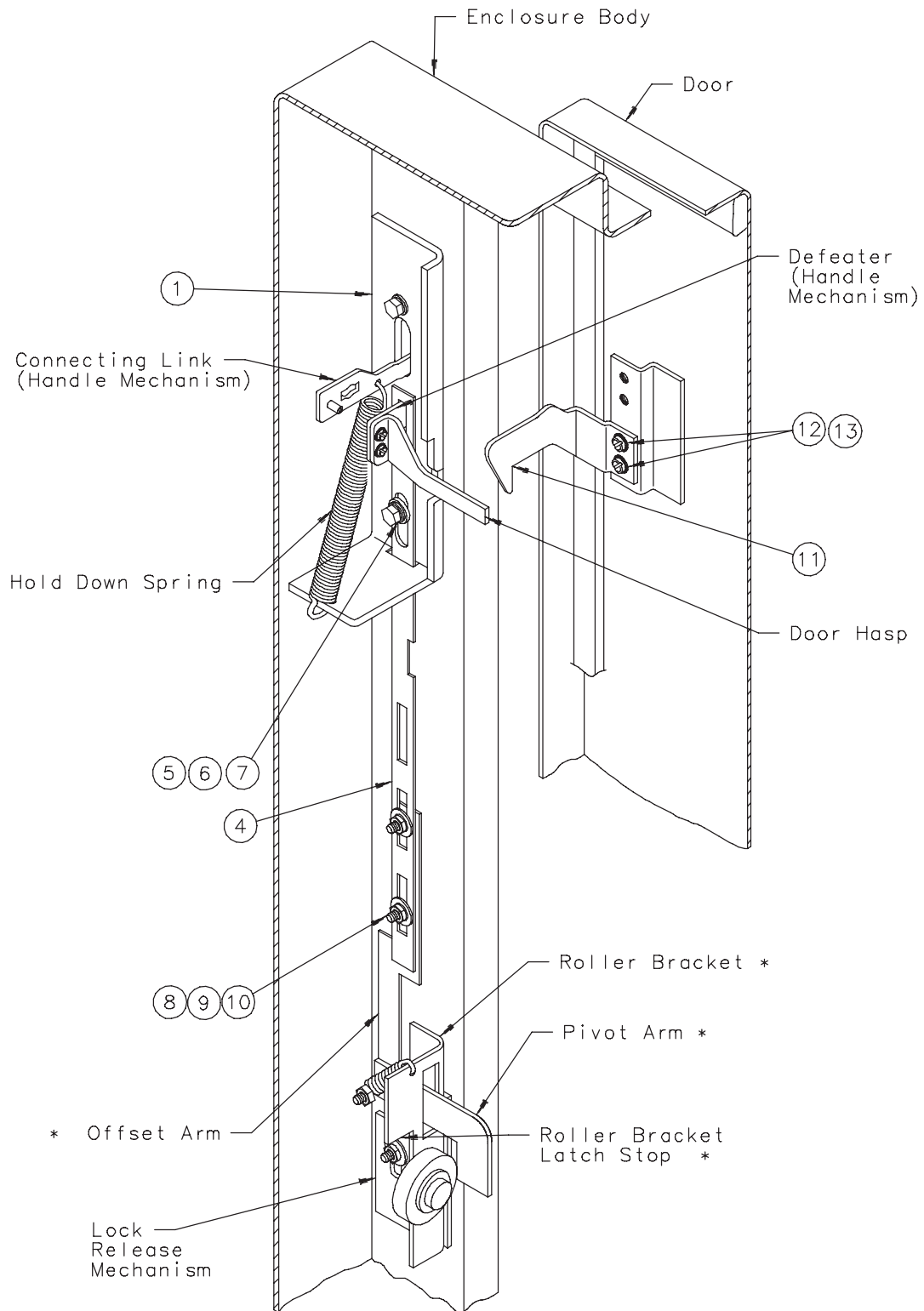
(B) Adjust the length of the slide arm assembly. With proper adjustment of the slide arm, the safety lock (on Cutler-Hammer handle mechanism) should release just before the master door is fully latched. Lengthen slide arm if safety lock releases too soon. Shorten slide arm if safety lock releases too late.

Step 7 - Attach the door catch (item 9), provided by Hoffman, to the tapped spacer on the door using the bottom set of mounting holes. Use two screws (item 10) and lockwashers (item 11). The door catch prevents the door from being opened when the handle mechanism is in the "ON" position. The door catch may be easily bent up or down to hook properly on the door hasp of the Cutler-Hammer handle mechanism.

Step 8 - Drill and tap holes in panel as shown in diagram and table. See Cutler-Hammer instructions for locating extra holes for fuse clips.

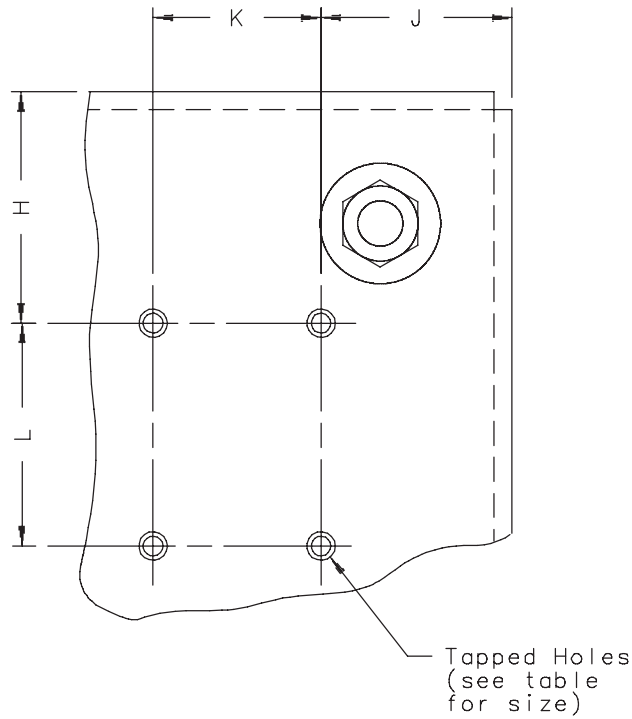
Step 9 - Mount switch or circuit breaker using Cutler-Hammer instructions and parts. Cutler-Hammer connecting rod assembly must be cut off per Cutler-Hammer instructions. See table 2 for depth dimensions used to determine length of rod.

For One-, Two-, and Three-Door, Free-Standing Enclosures With Disconnect on Right Flange



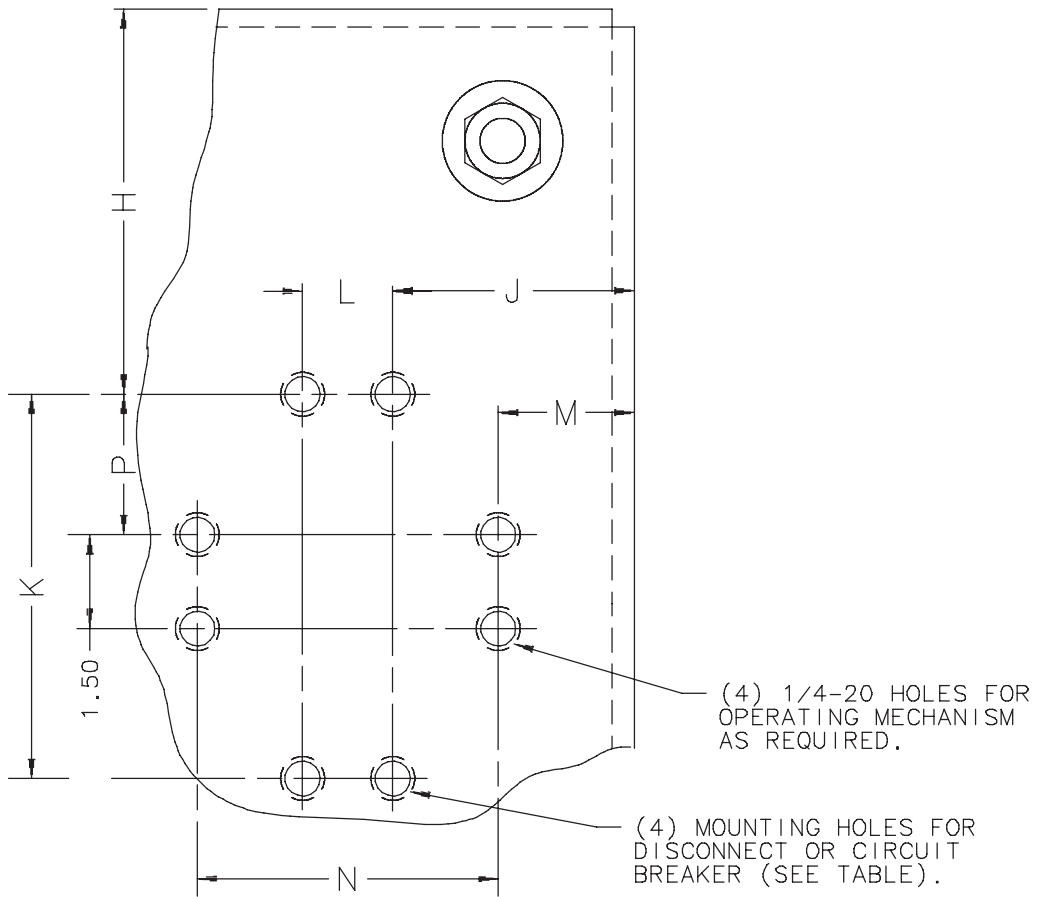
* Parts of lock release mechanism

For One-, Two-, and Three-Door, Free-Standing Enclosures With Disconnect on Right Flange



Hole Pattern For Disconnect Switch	Size
C361NC/C361SC	30 AMP
C361ND/C361SD	60 AMP
C361NE/C361SE	100 AMP
C361NF/C361SF	200 AMP

For One-, Two-, and Three-Door, Free-Standing Enclosures With Disconnect on Right Flange



Hole Pattern For Circuit Breaker	Size
HMCP, FS, FH, EHD FDB, FD, HFD	150 AMP
HMCP, JS, JH, JL, JD, JDB, HJD, JDC	250 AMP
HMCP, HK, KS, KD, DK, KDB, HKD	400 AMP
LH, LS, LC	600 AMP
MH, MS, MC	800 AMP
NH, NS, NC	1200 AMP

For One-, Two-, and Three-Door, Free-Standing Enclosure with Disconnect on Right Flange

TABLE 1

Circuit Breaker or Disconnect Switch	Frame Size	H 62.81" HIGH	H 72.12" HIGH	H 74.81" HIGH	H 84.12" HIGH	H 90.12" HIGH	J	K	L	M	N	P	Size of Mounting Holes
C361NC (30A)	----	4.70	6.250	10.70	12.250	15.250	2.593	4.000	7.125	----	----	----	10-32 UNF
C361SC (30A)	----	4.70	6.250	10.70	12.250	15.250	2.593	4.000	9.750	----	----	----	10-32 UNF
C361ND (60A)	----	4.70	6.250	10.70	12.250	15.250	2.593	4.000	7.125	----	----	----	10-32 UNF
C361SD (60A)	----	4.70	6.250	10.70	12.250	15.250	2.593	4.000	9.750	----	----	----	10-32 UNF
C361NE (100A)	----	4.51	6.063	10.51	12.063	15.063	2.468	5.500	7.125	----	----	----	10-32 UNF
C361SE (100A)	----	4.51	6.063	10.51	12.063	15.063	2.468	5.500	11.875	----	----	----	10-32 UNF
C361NF (200A)	----	2.92	4.469	8.92	10.469	13.469	.938	8.500	15.500	----	----	----	5/16-18 UNC
C361SF (200A)	----	2.92	4.469	8.92	10.469	13.469	.938	8.500	15.500	----	----	----	5/16-18 UNC
HMCP, FS, FH, EHD, FDB, FD, HFD	150A	6.93	8.484	12.93	14.484	17.484	2.750	4.500	1.375	----	----	----	8-32 UNC
JS, JH, JL	250A	6.89	8.438	12.89	14.438	17.438	3.250	7.250	1.375	.438	6.948	2.750	10-32 UNF
HMCP	250A	6.89	8.438	12.89	14.438	17.438	3.250	7.250	1.375	.438	6.948	2.750	1/4-20 UNC
KH, KS, DK, KDB, KD, HKD, KDC	400A	6.45	8.000	12.45	14.000	17.000	3.078	8.438	1.719	.438	6.948	3.180	1/4-20 UNC
HMCP	400A	6.45	8.000	12.45	14.000	17.000	3.078	8.438	1.719	.438	6.948	4.000	1/4-20 UNC
LH, LS, LC	600A	4.56	6.109	10.56	12.109	15.109	4.000	9.530	2.750	.359	10.050	4.320	1/4-20 UNC
MH, MS, MC	800A	N/A	DO NOT INSTALL	N/A	8.547	11.547	4.000	14.750	2.750	.359	10.050	7.880	1/4-20 UNC
NH, HS, HC	1200A	N/A	DO NOT INSTALL	N/A	8.457	11.547	4.000	14.750	2.750	.359	10.050	7.880	1/4-20 UNC

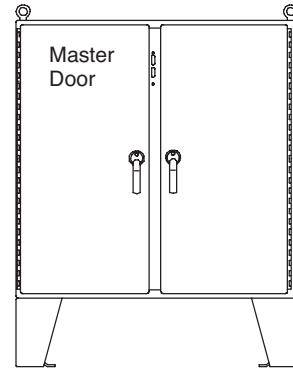
TABLE 2

Hoffman Disconnect Enclosure Description	Enclosure Depth	Cutler-Hammer
	C	D (1)
One- and Two-Door, Free-Standing Disconnect on Right Flange	18.13	10.91
	20.13	16.91 (2)
	24.13	22.91 (2)
Three-Door, Free-Standing Disconnect on Right Flange	18.13	15.91
	24.13	21.91 (2)
Two-Door, Free-Standing Disconnect on Right Flange	12.12	9.90
	18.12	16.90 (2)
	24.12	21.90 (2)

- 1) This dimension is used to determine length to cut Cutler-Hammer connecting rods. See Cutler-Hammer instructions
- 2) This dimension may be greater than the depth range of standard Cutler-Hammer connecting rods. A six inch platform is provided with 24.13 inch deep enclosures to reduce the depth for disconnect mounting. The platform can be eliminated if longer connecting rods are ordered from Cutler-Hammer. (C371-CS1 or C371-CS2)

INTRODUCTION

This installation instruction is for Cutler-Hammer C361, C371 (variable depth) mechanisms. These mechanisms are for disconnect switches and circuit breakers mounted in Hoffman two-door, floor-mounted, enclosures with the disconnect on the centerpost.



INSTALLATION STEPS

Step 1 – Position Mounting plate (item 1) on the inside of the enclosure, behind the opening provided in the centerpost.

Step 2 – Discard the Cutler-Hammer spring bracket which is normally installed inside the enclosure flange behind the C-H handle mechanism.

Step 3 – Assemble the Cutler-Hammer handle mechanism through the opening in the enclosure and through the mounting plate. Omit cap screw and lockwasher which fits into bottom hole of operating handle.

Step 4 – Cut 2 1/2" off bottom end of slide arm (item 2). (bottom end has rectangular holes only)

Step 5 – Install the slide arm (item 2) through the slot in the bottom of mounting plate (item 1) and over the defeater part of the handle assembly (on C-H handle mechanism). as shown. Place the smaller diameter end of the shoulder collar (item 3) through the oval slot in the slide arm. Install long cap screw (item 4) with lockwasher (item 5) through shoulder collar into the bottom mounting hole of the C-H handle mechanism and tighten. The slide arm and defeater should move up and down smoothly. Install door hasp (C-H part) per Cutler-Hammer instructions.

Step 6 – Attach the bottom of the slide arm (item 2) to the offset arm of the lock release mechanism. Use two flat washers (item 6), two lockwashers (item 7), and two hex nuts (item 8). Do not tighten until parts are adjusted.

Step 7 – Adjust the length of the slide arm assembly. With proper adjustment of the slide arm, the safety lock (on Cutler-Hammer handle mechanism) should release just before the master door is fully latched. Lengthen slide arm if safety lock releases too soon. Shorten slide arm if safety lock releases too late.

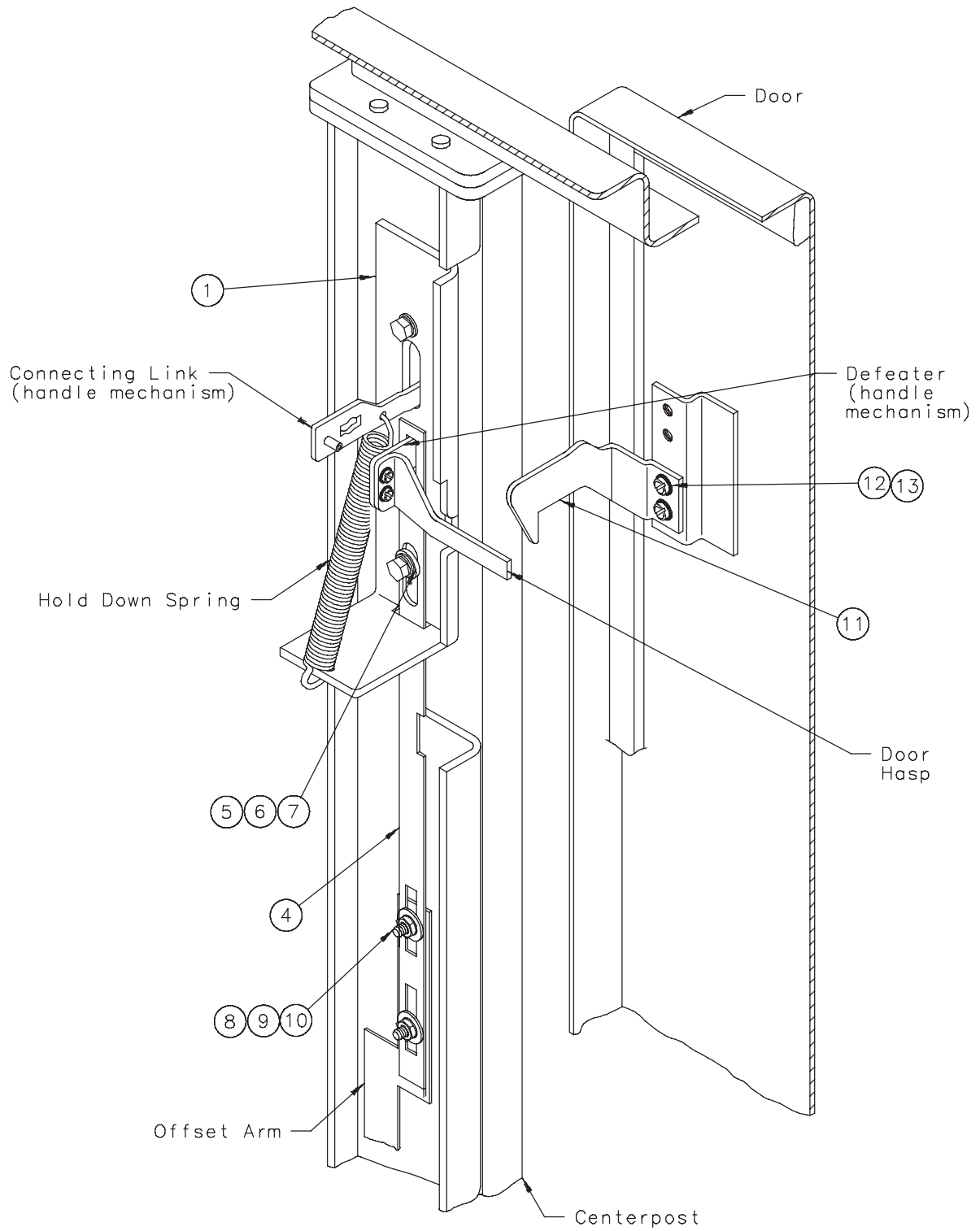
Step 8 – Attach the door catch (item 9), provided by Hoffman, to the tapped spacer on the door using the bottom set of mounting holes. Use two screws (item 10) and lockwashers (item 11). The door catch prevents the door from being opened when the handle mechanism is in the "ON" position. The door catch may be easily bent up or down to hook properly on the door hasp of the Cutler-Hammer handle mechanism.

Step 9 – Drill and tap holes in panel as shown in diagram and table 1. See Cutler-Hammer instructions for locating extra holes for fuse clips.

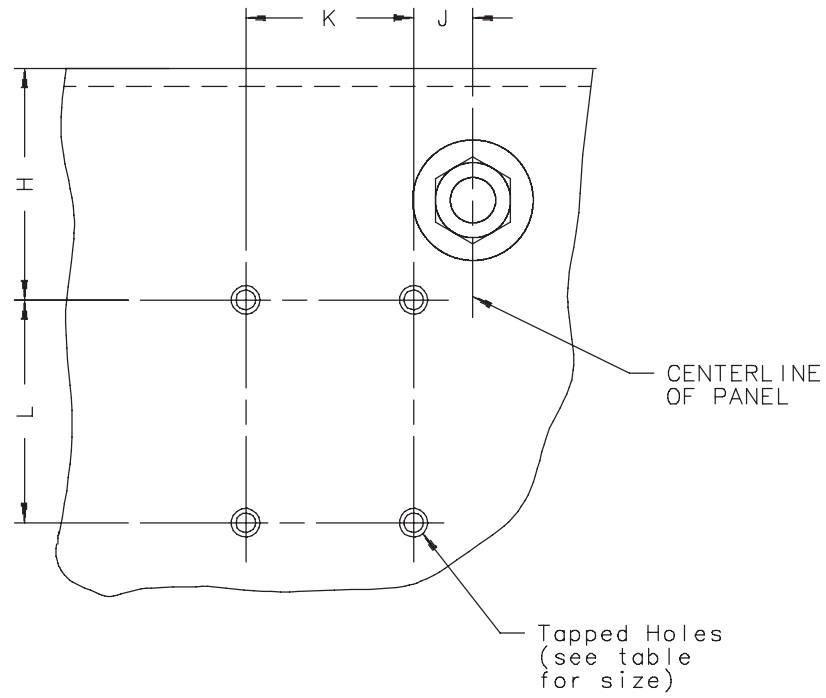
Step 10 – Mount switch or circuit breaker using Cutler-Hammer instructions and parts. Cutler-Hammer connecting rod assembly must be cut off per Cutler-Hammer instructions. See table 2 for depth dimensions used to determine length of rod.

*** NOTE: Optional channel support kit, Cutler-Hammer C371-CS6, is recommended when installing 600 AMP circuit breakers in 72 1/8" high enclosures.**

For Floor-Mounted, Two-Door Enclosures With Disconnect on Centerpost

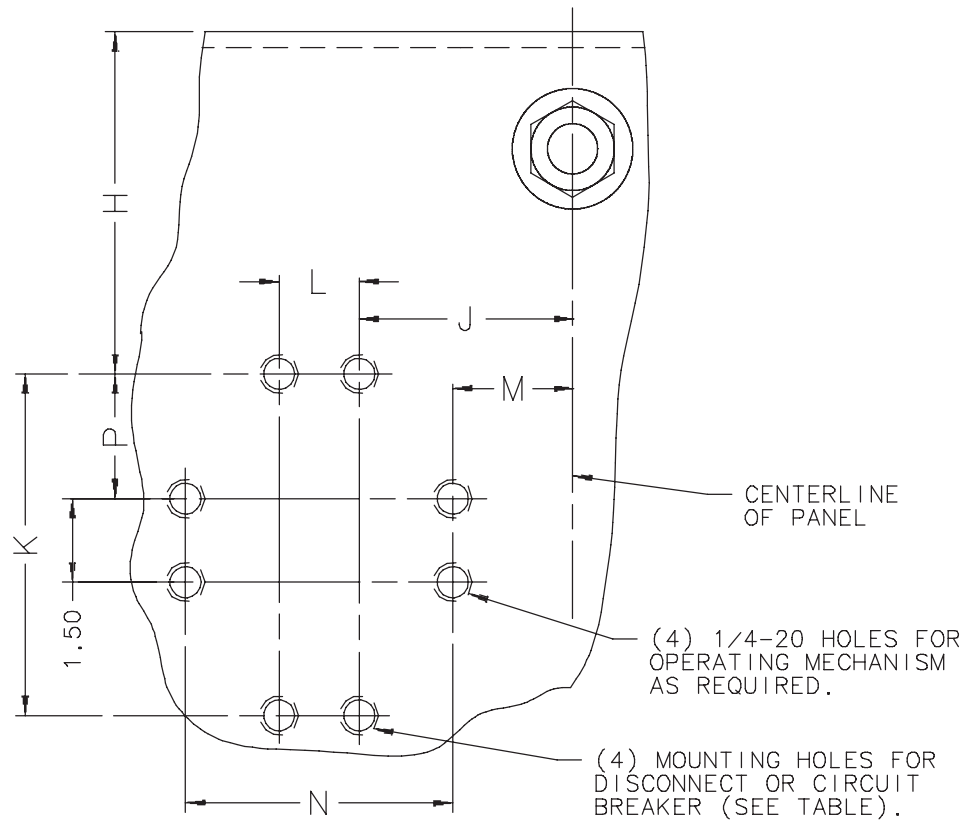


For Floor-Mounted, Two-Door Enclosures With Disconnect on Centerpost



Hole Pattern For Disconnect Switch	Size
C361NC/C361SC	30 AMP
C361ND/C361SD	60 AMP
C361NE/C361SE	100 AMP
C361NF/C361SF	200 AMP

For Floor-Mounted, Two-Door Enclosures With Disconnect on Centerpost



Hole Pattern For Circuit Breaker	Frame Size
HMCP, FS, FH, EHD FDB, FD, HFD	150 AMP
HMCP, JS, JH, JL, JD, JDB, HJD, JDC	250 AMP
HMCP, HK, KS, KD, DK, KDB, HKD	400 AMP
LH, LS, LC	600 AMP

For Floor-Mounted, Two-Door Enclosure With Disconnect on Centerpost

TABLE 1

Circuit Breaker or Disconnect Switch	Frame Size	H 60.12" HIGH	H 72.12" HIGH	J	K	L	M	N	P	Size of Mounting Holes
C361NC (30A)	-----	4.250	10.250	3.781	4.000	7.125	-----	-----	-----	10-32 UNF
C361SC (30A)	-----	4.250	10.250	3.781	4.000	9.750	-----	-----	-----	10-32 UNF
C361ND (60A)	-----	4.250	10.250	3.781	4.000	7.125	-----	-----	-----	10-32 UNF
C361SD (60A)	-----	4.250	10.250	3.781	4.000	9.750	-----	-----	-----	10-32 UNF
C361NE (100A)	-----	4.063	10.063	3.656	5.500	7.125	-----	-----	-----	10-32 UNF
C361SE (100A)	-----	4.063	10.063	3.656	5.500	11.875	-----	-----	-----	10-32 UNF
C361NF (200A)	-----	DO NOT INSTALL	8.469	2.125	8.500	15.500	-----	-----	-----	5/16-18 UNC
C361SF (200A)	-----	DO NOT INSTALL	8.469	2.125	8.500	15.500	-----	-----	-----	5/16-18 UNC
HMCP, FS, FH, EHD, FDB, FD, HFD	150A	6.484	12.484	3.922	4.500	1.375	-----	-----	-----	8-32 UNC
JS, JH, JL	250A	6.438	12.438	4.438	7.250	1.375	1.610	6.948	2.750	10-32 UNF
HMCP	250A	6.438	12.438	4.438	7.250	1.375	1.610	6.948	2.750	1/4-20 UNC
KH, KS, DK, KDB, KD, HKD, KDC	400A	6.000	12.000	4.266	8.438	1.719	1.610	6.948	3.180	1/4-20 UNC
HMCP	400A	6.000	12.000	4.266	8.438	1.719	1.610	6.948	4.000	1/4-20 UNC
LH, LS, LC	600A	DO NOT INSTALL	10.094	5.188	9.53	2.750	1.532	10.050	4.320	1/4-20 UNC

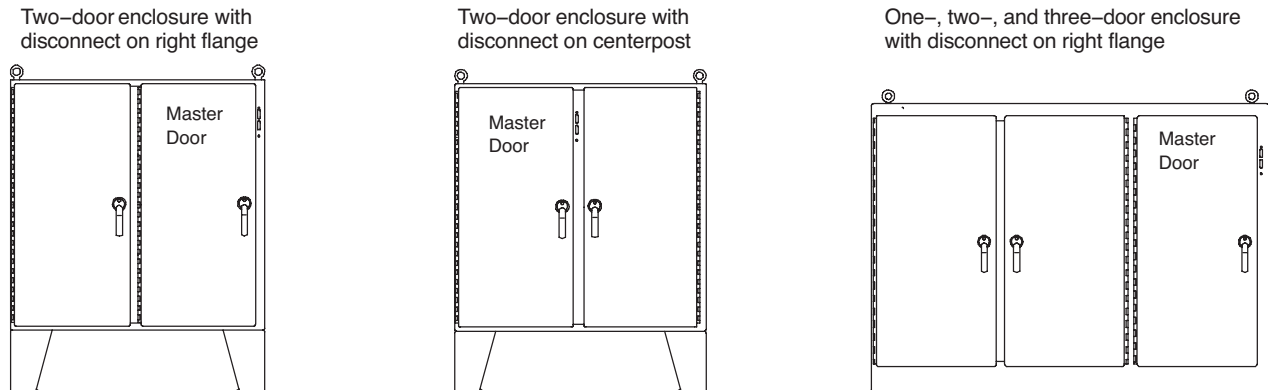
TABLE 2

Hoffman Disconnect Enclosure Description	Enclosure Depth	Cutler-Hammer
	C	D (1)
Two-Door, Floor-Mounted Disconnect on Centerpost	12.13	10.91
	18.13	16.91 (2)
	24.13	22.91 (2)

- 1) This dimension is used to determine length to cut Cutler-Hammer connecting rods. See Cutler-Hammer instructions
- 2) This dimension may be greater than the depth range of standard Cutler-Hammer connecting rods. A six inch platform is provided with 24.13 inch deep enclosures to reduce the depth for disconnect mounting. The platform can be eliminated if longer connecting rods are ordered from Cutler-Hammer. (C371-CS1 or C371-CS2)

INTRODUCTION

This installation instruction is for Cutler–Hammer C371 Flex Shaft™ (flexible cable) mechanisms. These mechanisms are for circuit breakers mounted in Hoffman disconnect enclosures.



INSTALLATION STEPS

Step 1 – Discard Hoffman mounting plate (item 1) which is not required for this installation.

Step 2 – Assemble the Cutler–Hammer Flex Shaft™ handle mechanism and cable toggle mechanism to the enclosure flange opening. Omit cap screw and lockwasher which fits into bottom hole of Cutler–Hammer handle mechanism.

Step 3 – Modify slide arm (item 2) only if it is being installed in an enclosure with disconnect on centerpost. (cut 2.5 inches off the bottom end of slide arm. Bottom end has rectangular holes only)

Step 4 – Install the slide arm (item 2) over the defeater part of the handle assembly (on C–H handle mechanism). Place the smaller diameter end of the shoulder collar (item 3) through the oval slot in the slide arm. Install long cap screw (item 4) with lockwasher (item 5) through shoulder collar into the bottom mounting hole of the C–H handle mechanism and tighten. The slide arm and defeater should move up and down smoothly. Install door interlock lever (C–H part) per Cutler–Hammer instructions.

Step 5 – Attach the bottom of the slide arm (item 2) to the offset arm of the lock release mechanism. Use two flat washers (item 6), two lockwashers (item 7), and two hex nuts (item 8). Do not tighten until parts are adjusted. (see Step 6 – (B))

Step 6 – The handle safety lock release mechanism is adjustable.

(A) Check the adjustment of the factory installed roller bracket on enclosures with disconnect on right flange. The door latch should hit against the latch stop portion of the roller bracket when the door is closed and latched. Adjust up or down if necessary. The attached mechanism will then provide the necessary up–down motion required to operate the release mechanism.

(B) Adjust the length of the slide arm assembly. With proper adjustment of the slide arm, the safety lock (on Cutler–Hammer handle mechanism) should release just before the master door is fully latched. Lengthen slide arm if safety lock releases too soon. Shorten slide arm if safety lock releases too late.

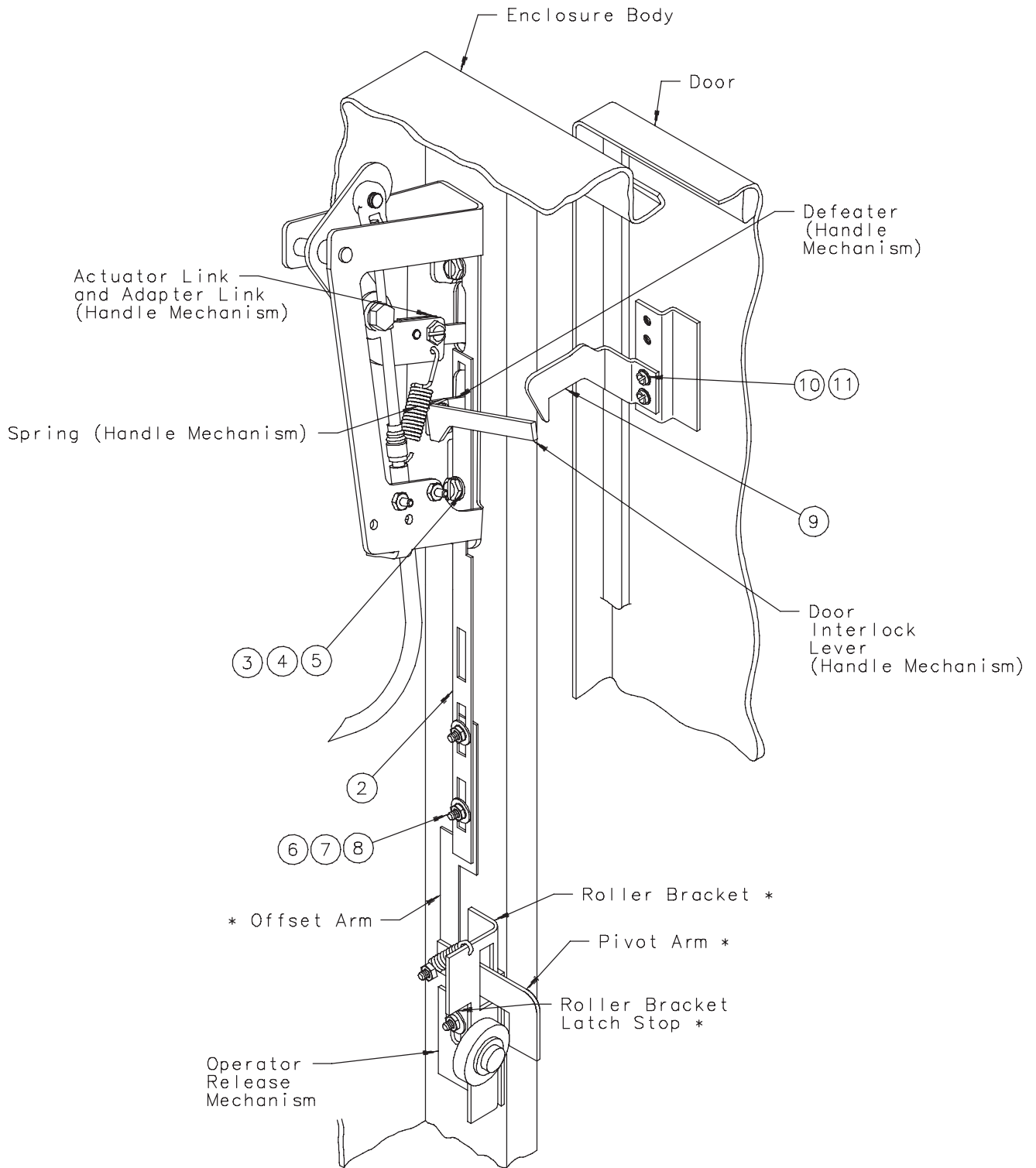
Step 7 – Attach the door catch (item 9), provided by Hoffman, to the tapped spacer on the door using the bottom set of mounting holes. Use two screws (item 10) and lockwashers (item 11). The door catch prevents the door from being opened when the handle mechanism is in the “ON” position. The door catch may be easily bent up or down to hook properly on the door interlock lever of the Cutler–Hammer handle mechanism.

Step 8 – Assemble the C–H linkage between outer handle assembly and the toggle mechanism (inside). See C–H Flex Shaft™ instructions.

Step 9 – Drill and tap holes in panel as shown in diagram and table. See Cutler–Hammer instructions for locating holes.

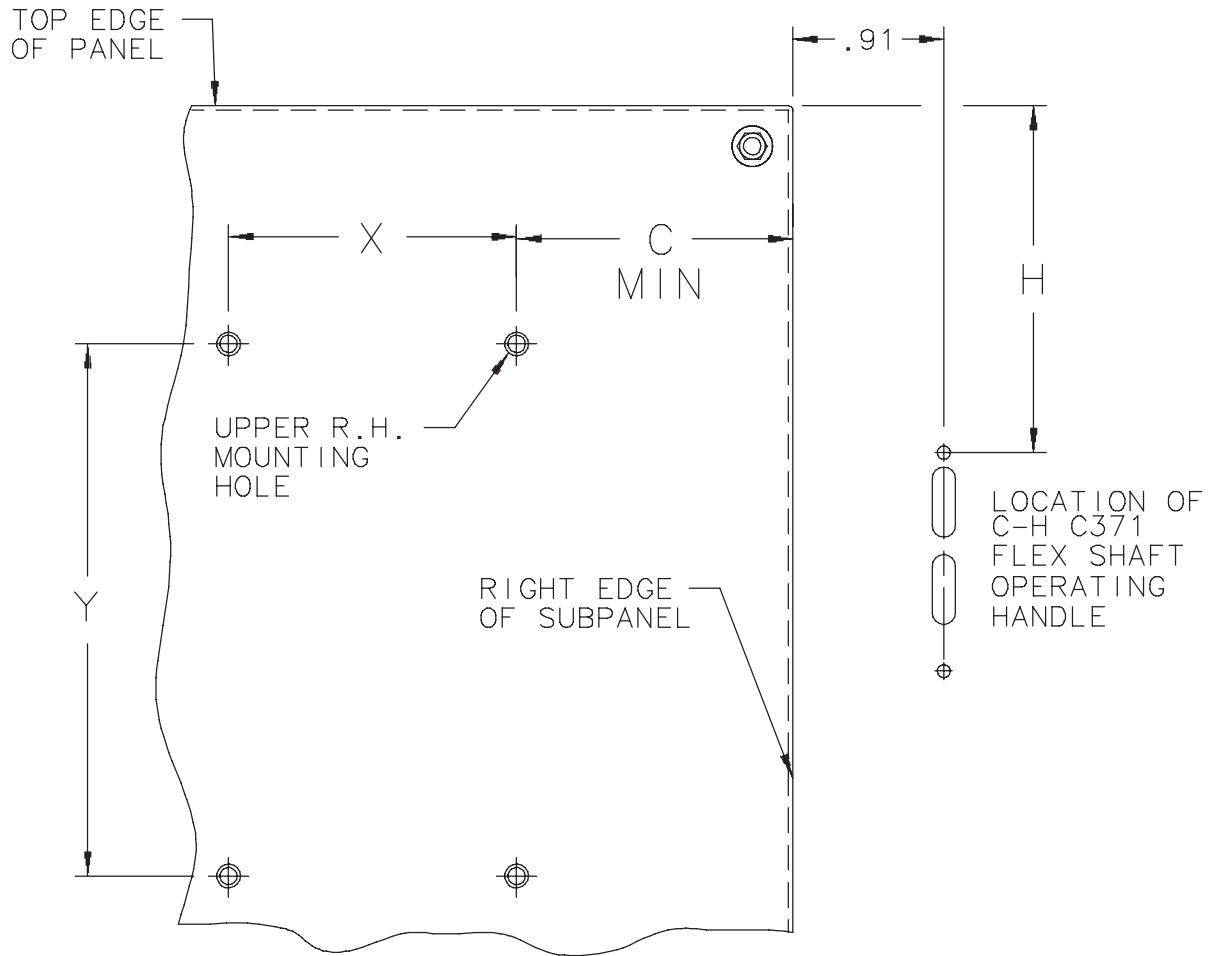
Step 10 – Mount circuit breaker and actuator mechanism using Cutler–Hammer Flex Shaft™ instructions and parts.

For Floor-Mounted, Two-Door Enclosures With Disconnect on Right Flange
 For Floor-Mounted, Two-Door Enclosures With Disconnect on Centerpost
 For One-, Two-, and Three-Door, Free-Standing Enclosures With Disconnect on Right Flange

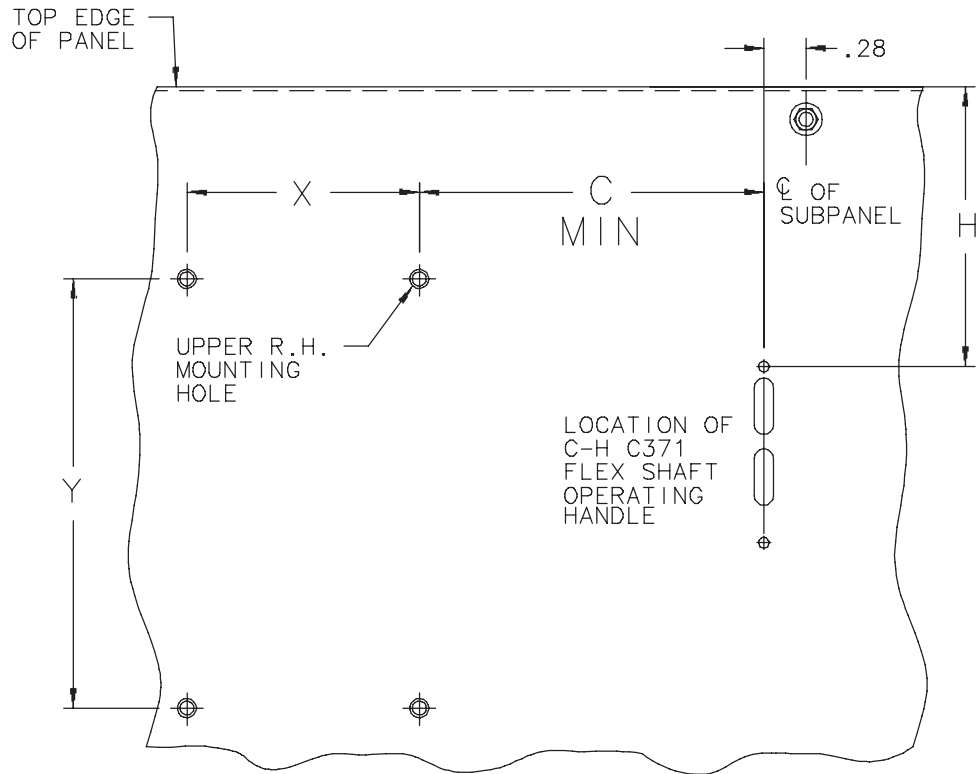


* Parts of lock release mechanism

For Floor-Mounted, Two-Door Enclosures With Disconnect on Right Flange
For One-, Two-, and Three-Door, Free-Standing Enclosures With Disconnect on Right Flange



For Floor-Mounted, Two-Door Enclosures With Disconnect on Centerpost



For Floor-Mounted, Two-Door Enclosures With Disconnect on Right Flange
 For Floor-Mounted, Two-Door Enclosures With Disconnect on Centerpost
 For One-, Two-, and Three-Door, Free-Standing Enclosures With Disconnect on Right Flange

TABLE 1
Subpanel Drilling

Circuit Breaker Frame Size	Hole Size	X	Y	C _{min}
F	8-32	1.375	4.500	1.38
J	1/4-20	1.375	7.250	1.38
K	1/4-20	1.719	8.438	1.88

TABLE 2
Location of Disconnect Operating Handle

Hoffman Disconnect Enclosure Description	Enclosure Height	H
Two-Door, Floor-Mounted Disconnect on Right Flange	60.13	5.81
	72.13	11.81
Two-Door, Floor-Mounted Disconnect on Centerpost	60.13	5.81
	72.13	11.81
One-, Two-, and Three-Door, Modular Free-Standing Disconnect on Right Flange	72.13	7.81
	84.13	13.81
	90.13	16.81
Two-Door, Free-Standing Disconnect on Right Flange	62.81	6.26
	74.81	12.26



HOFFMAN



HOFFMAN