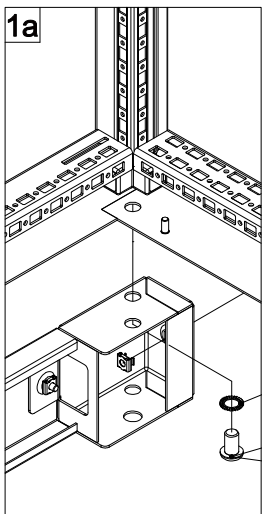
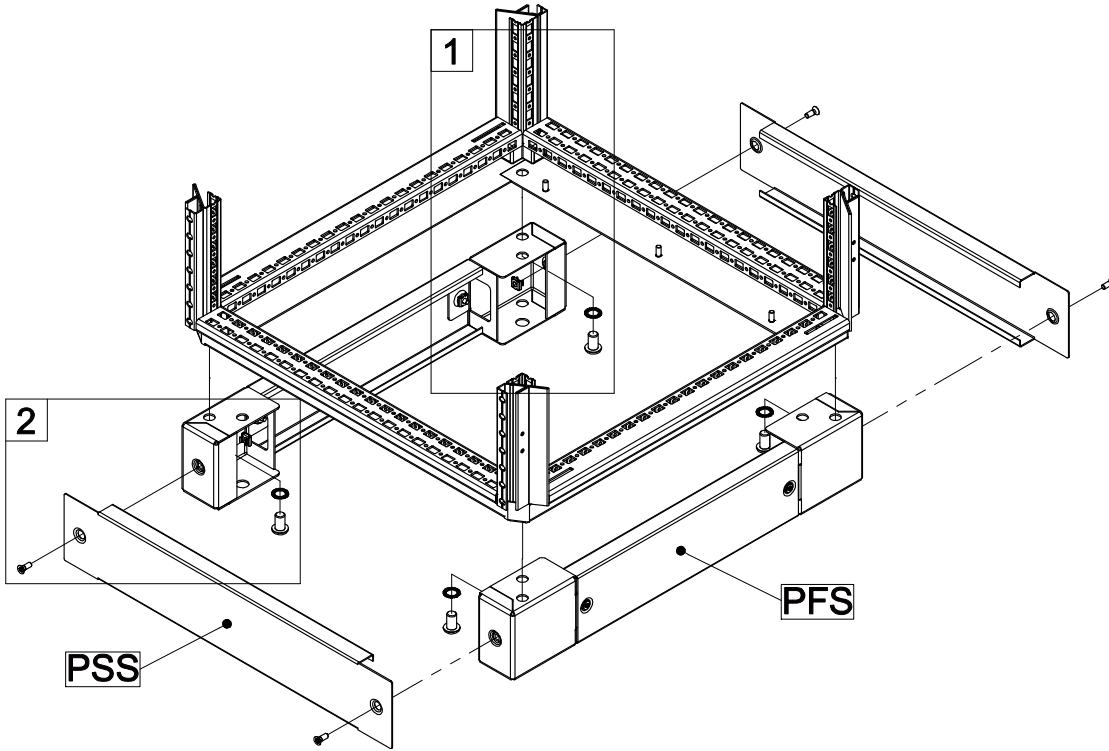


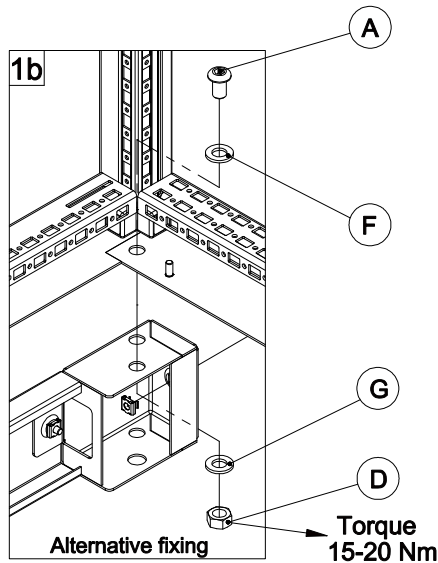


PFS/PSS

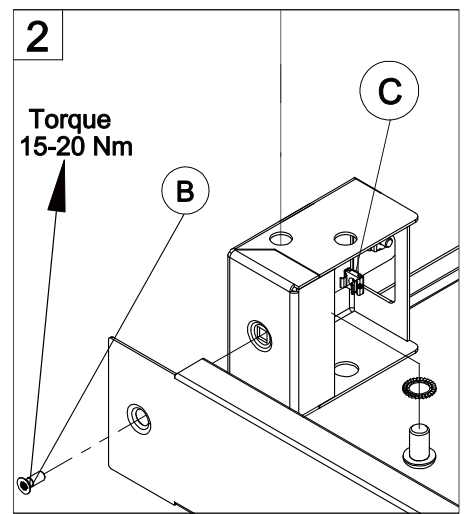
Ref.	Pic.	Qty.
A	M12x20	4
B	M6x16	8
C	M6	8
D	M12	4
E	M12	4
F	M12 Nylon	4
G	M12	4



Torque
15-20 Nm



Alternative fixing
Torque
15-20 Nm

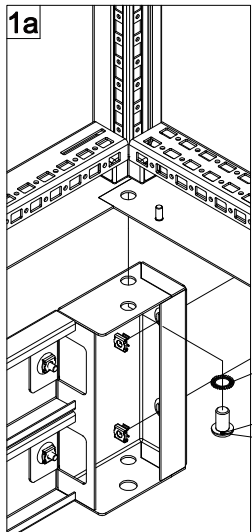
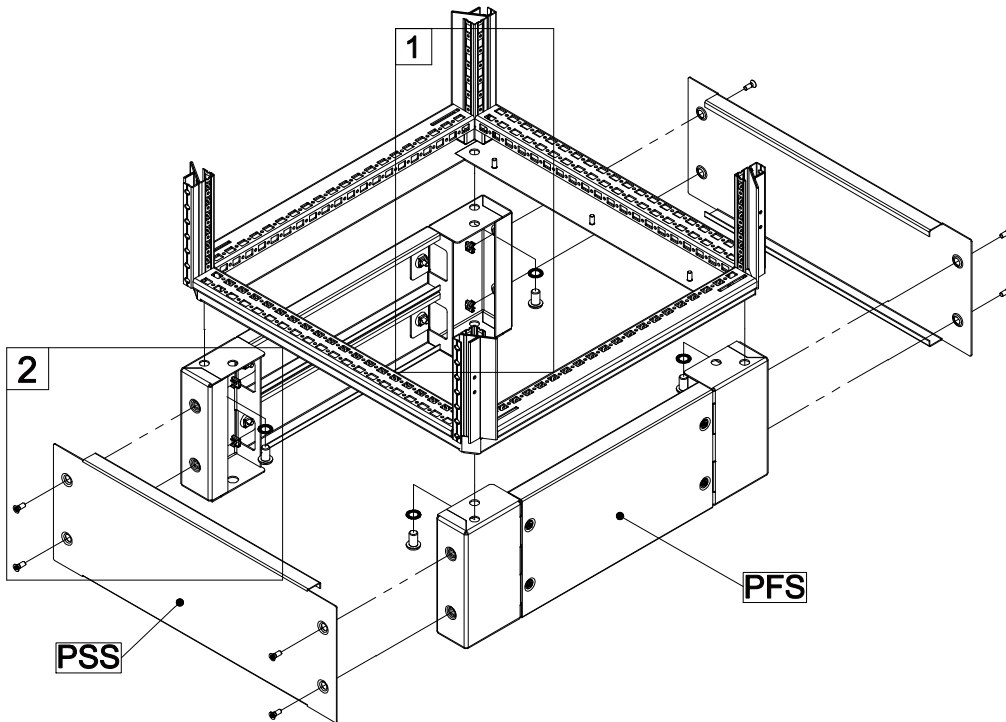


Torque
15-20 Nm

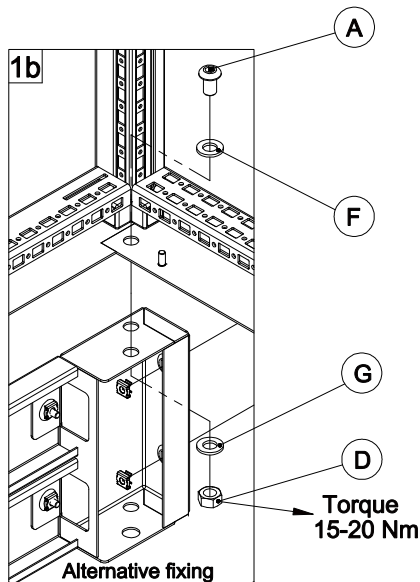


PFS/PSS

Ref.	Pic.	Qty.
A	M12x20	4
B	M6x16	16
C	M6	16
D	M12	4
E	M12	4
F	M12 Nylon	4
G	M12	4



Torque
15-20 Nm



Torque
15-20 Nm

