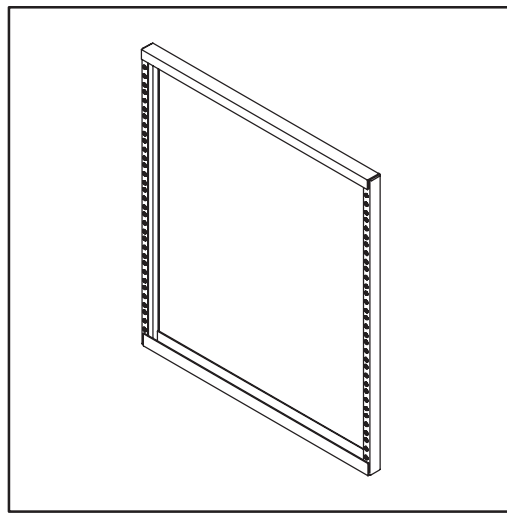


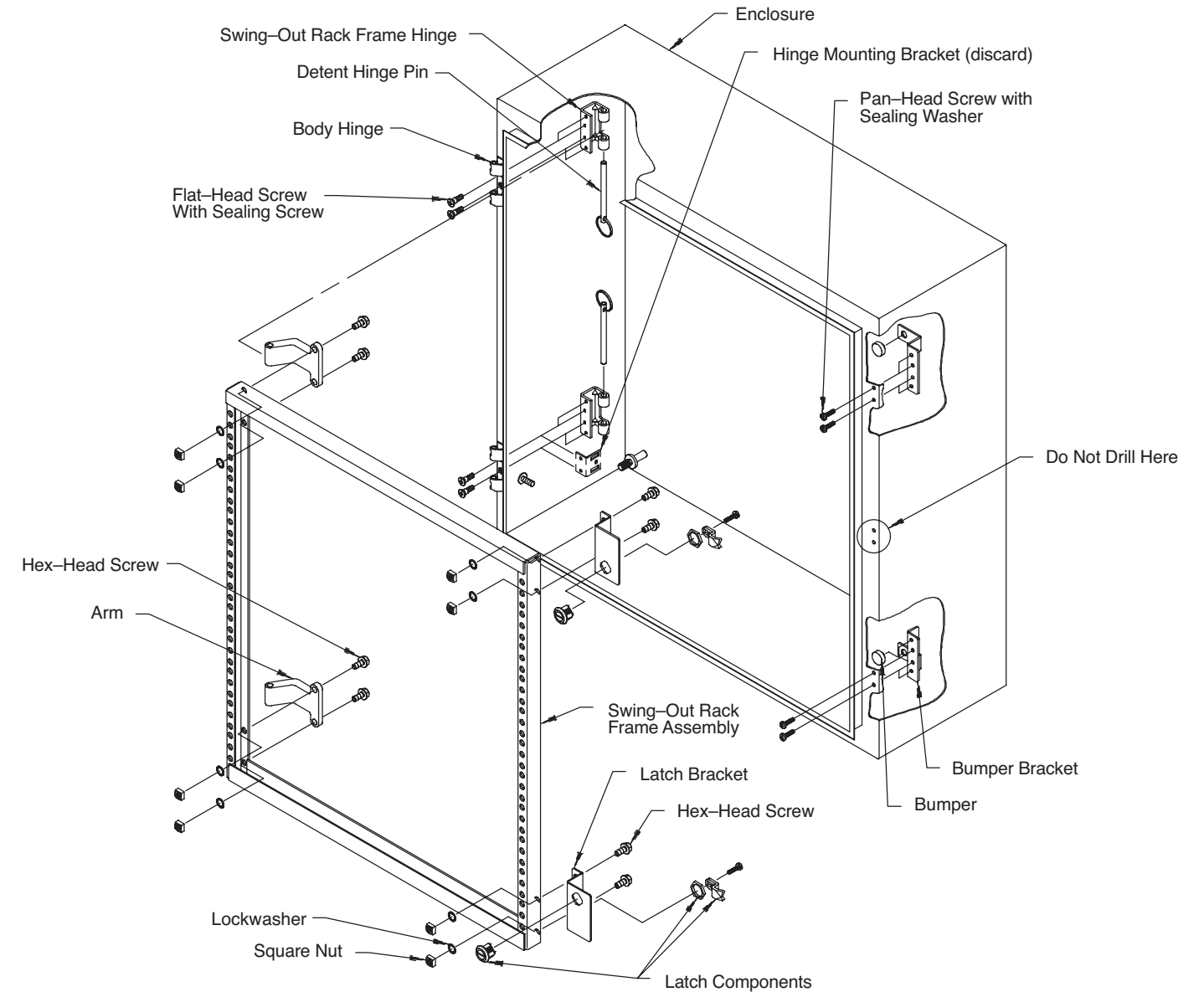
CONCEPT®

Swing-Out Rack Frame



**INSTALLATION INSTRUCTIONS:**

1. Open enclosure door.
2. Remove door by pulling hinge pins to outermost retained position.
3. Remove body hinges by removing the flat-head screws with sealing washers and the hinge mounting brackets. Discard the hinge mounting brackets and screws.
4. Attach body hinges and swing-out frame hinges to enclosure using flat-head screws with sealing washers. Torque to 22 in-lbs (2.5 Nm).
5. Assemble latches to latch brackets with latch stops at 12 O-Clock and 3 O-Clock as shown.
6. Attach latch brackets to swing-out frame assembly using two hex-head screws, lockwashers, and square nuts. Torque to 50 in-lbs (5.6 Nm).
7. Drill center-punch marks on latch side of enclosure to .203 inch (5mm) diameter. If there are three sets of center punch marks, drill the two outer marks only.
8. Insert a bumper into each bumper bracket as shown.
9. Orient bumper brackets with bumpers toward outside of enclosure and attach using two pan-head screws and two sealing washers each. Torque to 22 in-lbs (2.5 Nm).
10. Assemble arms to swing-out frame assembly using two hex-head screws, lockwashers, and square nuts. Torque to 50 in-lbs (5.6 Nm).
11. Align arms of swing-out frame assembly to swing-out frame hinges and insert one detent hinge pin. Orient rings toward center of enclosure as shown.
12. Swing-out frame is secured in position by rotating latches, engaging the bumper brackets.
13. Reassemble enclosure door.



**⚠ WARNING**

To avoid electric shock, do not energize any circuits before all internal and external electrical and mechanical clearances are checked to assure that all assembled equipment functions safely and properly.