



Adapter for installation of actuators and signaling units, 22 mm, in a mounting drill hole 30.5 mm, Metal, shiny, with seal

product brand name	SIRIUS ACT
product designation	Adapter
design of the product	for 30.5 mm to 22.5 mm mounting hole
product type designation	3SU1
General technical data	
protection class IP	IP66, IP67, IP69(IP69K)
Substance Prohibance (Date)	10/01/2014
Ambient conditions	
ambient temperature	
• during operation	-25 ... +70 °C
• during storage and transport	-40 ... +80 °C
Installation/ mounting/ dimensions	
height	40 mm
width	38 mm
mounting height	4.6 mm
Accessories	
material of accessory	Metal shiny
color of accessory	Silver
Certificates/ approvals	
General Product Approval	Declaration of Conformity



[Confirmation](#)



Test Certificates	Marine / Shipping	other
-------------------	-------------------	-------

[Type Test Certificates/Test Report](#)



[Confirmation](#)

Environment

[Environmental Confirmations](#)

Further information

Siemens has decided to exit the Russian market (see here).

<https://press.siemens.com/global/en/pressrelease/siemens-wind-down-russian-business>

Siemens is working on the renewal of the current EAC certificates.

Please contact your local Siemens office on the status of validity of the EAC certification if you intend to import or offer to supply these products to an EAC relevant market (other than the sanctioned EAEU member states Russia or Belarus).

Information on the packaging

<https://support.industry.siemens.com/cs/ww/en/view/109813875>

Information- and Downloadcenter (Catalogs, Brochures,...)

<https://www.siemens.com/ic10>

Industry Mall (Online ordering system)

<https://mall.industry.siemens.com/mall/en/en/Catalog/product?mlfb=3SU1950-0KB10-0AA0>

Cax online generator

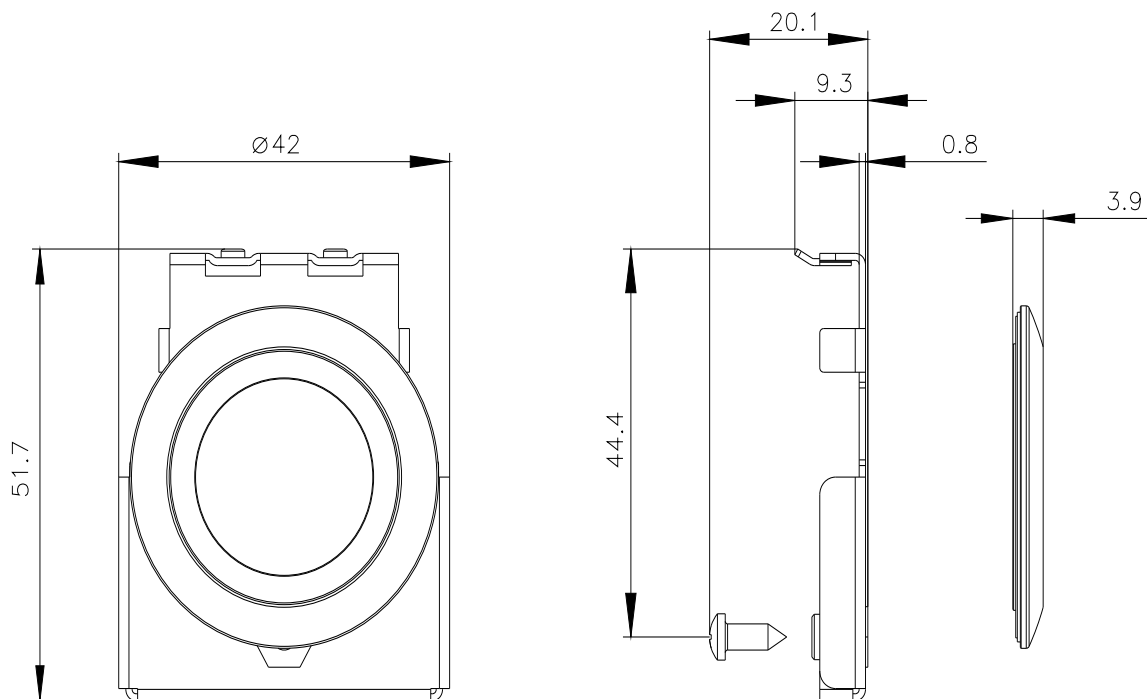
<http://support.automation.siemens.com/WW/CAXorder/default.aspx?lang=en&mlfb=3SU1950-0KB10-0AA0>

Service&Support (Manuals, Certificates, Characteristics, FAQs,...)

<https://support.industry.siemens.com/cs/ww/en/ps/3SU1950-0KB10-0AA0>

Image database (product images, 2D dimension drawings, 3D models, device circuit diagrams, EPLAN macros, ...)

http://www.automation.siemens.com/bilddb/cax_de.aspx?mlfb=3SU1950-0KB10-0AA0&lang=en



last modified:

3/29/2022 