

# Operating Instructions 650SOP, K650SOP, and 750SOP Deadbreak Stand-Off Plugs

**CONTENTS:** Stand off plug with stainless steel mounting hardware, Lubricant, Instruction Sheets.

The Elastimold 650SOP, K650SOP, and 750SOP stand-off plugs are used to isolate and Elastimold 655LR, K655LR, or 755LR elbow connector, respectively.

TO PREVENT CONTAMINATION OF THE INTERFACE WHEN NOT IN USE, THE STAND-OFF PLUG SHOULD ALWAYS BE MATED WITH AN INSULATED CAP (650SOP AND K650SOP), A BUSHING CONVERTER, OR AN ELBOW CONNECTOR.

## DANGER

**All apparatus must be de-energized during installation or removal of part(s).**

**Do not touch or move energized products in the work area.**

**These instructions do not attempt to provide for every possible contingency.**

**Failure to follow these instructions will result in damage to the product and serious or fatal injury.**

**This product should be installed only by competent personnel trained in good safety practices involving high voltage electrical equipment. These instructions are not intended as a substitute for adequate training or experience in such safety practices.**

FOR MORE INFORMATION ON PARTS, INSTALLATION RATINGS AND COMPATIBILITY, CALL THE NEAREST ELASTIMOLD® OFFICE.

**All apparatus must be installed and operated in accordance with individual user, local, and national work rules.**

**For loadbreak products follow operating instructions. All deadbreak connectors must be de-energized before operating. All 200A deadbreak connectors must be mechanically secured with bails when connected.**

**If this product is supplied with a protective shipping cover(s), remove this shipping cover(s) and replace with the appropriate HV insulated cap(s) or connector(s) before submerging or energizing the circuit.**

**Inspect parts for damage, rating and compatibility with mating parts.**

**Excess distortion of the assembled product may result in its failure.**

---

## Limited Warranty:

1. T&B warrants that its products will be free from defects in materials or workmanship for a period of two (2) years, except for tools which are warranted separately (see warranty accompanying those products). Fisher Pierce® products and Elastimold® Reclosers are warranted for three years; and Joslyn™ VBT and VBU capacitor switches are warranted for four years or 40,000 operations whichever occurs first. Upon prompt notification of a warranted defect, T&B will, at its option, repair or replace the defective product.
2. In no event shall T&B be liable for any consequential, indirect or special damages, nor will T&B be liable for transportation, labor, or other charges arising out of the removal or reinstallation of its products. Liability for breach of warranty is limited to the cost of repair or replacement of the warranted product only.
3. Misuse, misapplication or modification of T&B products immediately voids all warranties.

THE WARRANTIES AND REMEDIES CONTAINED HEREIN ARE EXCLUSIVE AND ARE IN LIEU OF ALL OTHER WARRANTIES AND REMEDIES, INCLUDING BUT NOT LIMITED TO ANY IMPLIED WARRANTIES OF MERCHANTABILITY AND FITNESS FOR A PARTICULAR PURPOSE, WHICH ARE SPECIFICALLY DISCLAIMED.

---

## IMPORTANT

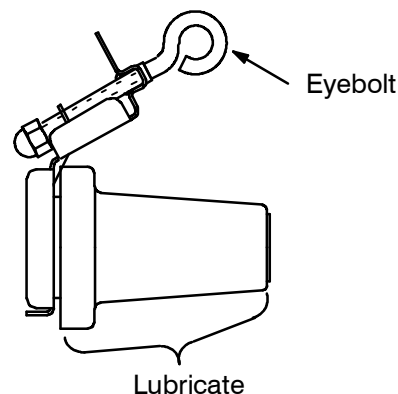
1. Check contents of package to ensure they are complete and undamaged.
  2. Check all components to ensure proper fit with cable and/or mating products.
  3. Read entire installation instructions before starting.
  4. Have all required tools at hand and maintain cleanliness throughout the procedure.
- 

**Thomas & Betts**

A Member of the ABB Group

## STEP 1

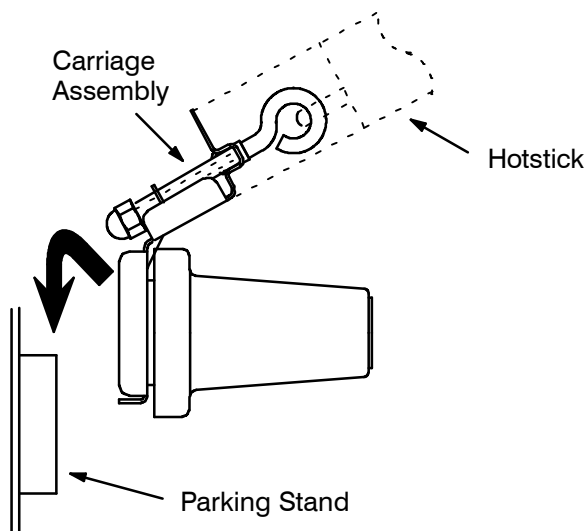
Lubricate the interface with lubricant supplied or ELASTIMOLD<sup>®</sup> approved lubricant. DO NOT SUBSTITUTE. Other lubricants may be harmful to this product or its mating parts.



---

## STEP 2

Attach hotstick to eyebolt of stand-off plug carriage assembly. Slide carriage assembly into parking stand and rotate eyebolt clockwise, until carriage assembly is snug against the apparatus surface. Remove hotstick from eyebolt.



---

## STEP 3

Follow standard Utility procedure from this point on.

---

### **THOMAS & BETTS CORP. PROPRIETARY AND CONFIDENTIAL**

BY ACCEPTANCE OF THIS DOCUMENT YOU AGREE THAT ALL RIGHTS TO THE DRAWINGS AND INFORMATION CONTAINED IN IT, AS WELL AS THE SUBJECT MATTER AND ALL PROPRIETARY AND NOVEL FEATURES DISCLOSED, ARE OWNED BY THOMAS & BETTS CORP AND THAT DEVICES EMBODYING SUCH FEATURES OR INFORMATION DERIVED FROM THESE DRAWINGS WILL NOT BE MANUFACTURED BY OR FOR YOU OR DISCLOSED TO OTHERS WITHOUT THE PRIOR EXPRESS WRITTEN CONSENT OF THOMAS & BETTS CORP. THESE DRAWINGS ARE NOT TO BE COPIED OR REPRODUCED OR DISCLOSED TO OTHERS WITHOUT THE PRIOR EXPRESS WRITTEN CONSENT OF THOMAS & BETTS CORP. ALL DRAWINGS AND INFORMATION ARE TO BE RETURNED TO UPON DEMAND OR UPON COMPLETION OF PURPOSE FOR WHICH LENT. COPYRIGHT THOMAS & BETTS CORP. ALL RIGHTS RESERVED. ALL OTHER TRADEMARKS ARE THE PROPERTY OF THEIR RESPECTIVE OWNERS.