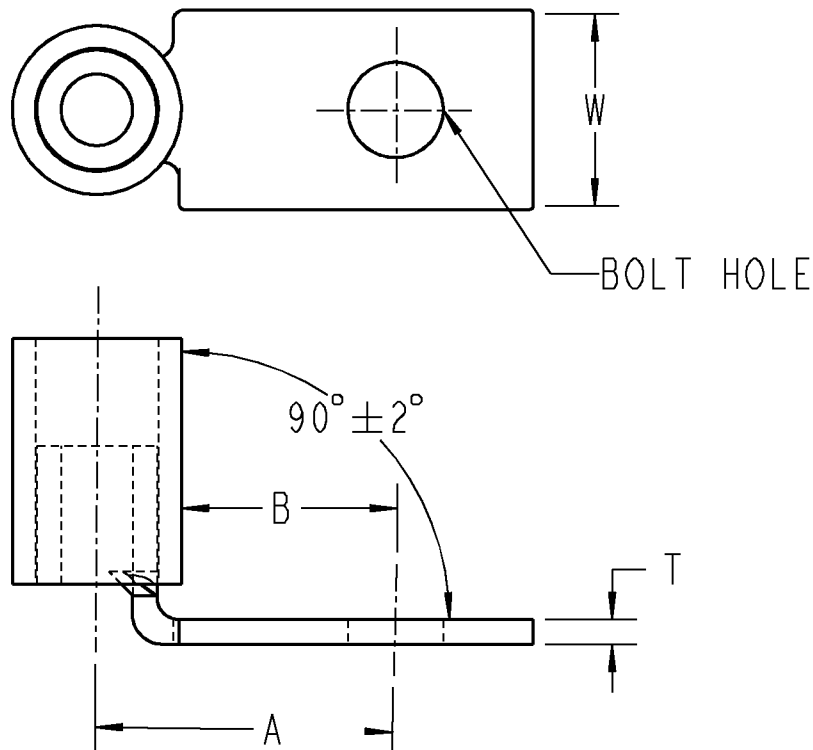


**T&B****Sta-Kon®**

ALL DIMENSIONS ARE APPROXIMATE, FOR REFERENCE ONLY.



TONGUE MATERIAL: COPPER
 INSULATING SLEEVE: NYLON
 INSTALLING TOOLS: ERG2001, WT145C

CATALOG	WIRE RANGE	BOLT HOLE	DIM. A ±.030	DIM. B ±.030	DIM. W ±.004	T ±.002
RC486U	12-10	#4	.310	.260	.237	.040

GENERAL NOTES

- ALL DIMENSIONS ARE FOR REFERENCE ONLY.
- DIMENSIONS IN BRACKETS [] ARE IN METRIC UNITS.

REVISIONS

** SEE ERN (****)
 FOR APPROVAL SIGNATURES
 & RELEASE DATE.
 PROJECT NO: ****

Thomas & Betts
 www.tnb.com

DESCRIPTION: **NYLON INSULATED RECTANGULAR
 TERMINAL ,90° BEND**

ORIGINAL PROJECT NO / (ERN NO)
TM401330 / (2007480)

SHEET NO:
1 OF 1

REV. NO:

DRAWING NO:
WSD-000313