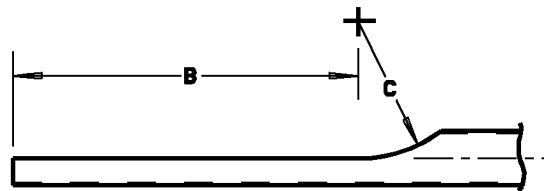
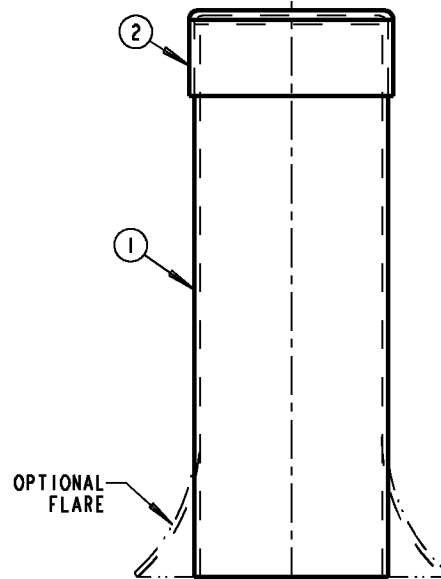
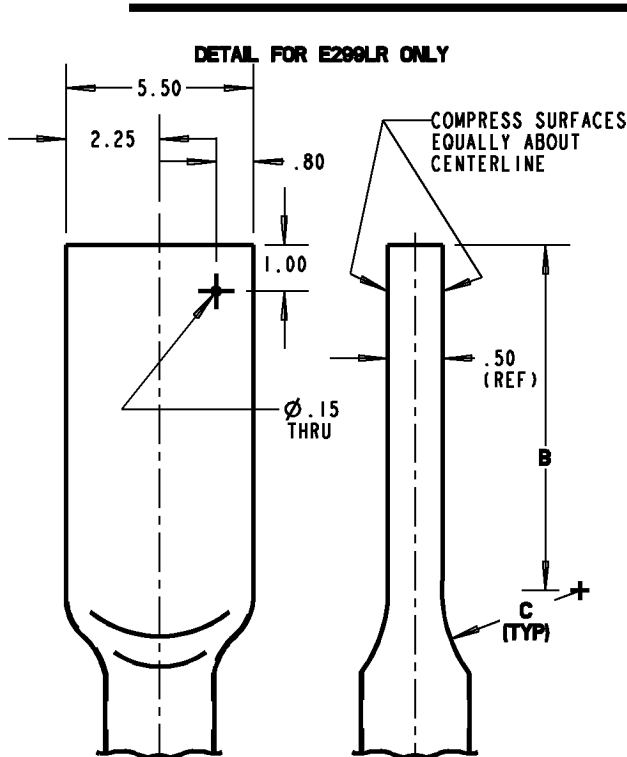


# Carlton®

PART NO.	NOMINAL PIPE SIZE	ITEM 2	DIM 'A' (±.5")	B	C	FLARED END?
E299JM	2" (50.8mm)	E958J	39.0" (.99M)	-	-	YES
E299JP	2" (50.8mm)	E958J	56.0" (1.42M)	-	-	YES
E299JR	2" (50.8mm)	E958J	78.0" (1.98M)	15" (381 mm)	6" (152 mm)	NO
E299LR	3" (76.2mm)	-	61.0" (1.93M)	5" (127 mm)	1" (25 mm)	YES
E299NX7	4" (101.6mm)	Z348N	84.0" (2.13M)	-	-	YES
E299LF	3" (76.2mm)	E958L	36.0" (9.14M)	-	-	YES



DETAIL FOR E299JR ONLY



**GENERAL NOTES**

1. ALL DIMENSIONS ARE FOR REFERENCE ONLY.
2. DIMENSIONS IN BRACKETS [ ] ARE IN METRIC UNITS.

**REVISIONS**

SEE ERN (\*\*\*\*) FOR APPROVAL SIGNATURES & RELEASE DATE.  
PROJECT NO: \*\*\*\*

**Thomas & Betts**  
www.tnb.com

DESCRIPTION:

**PVC CABLE MARKERS**

ORIGINAL PROJECT NO / ( ERN NO )

/ ( )

SHEET NO:

1 OF 1

REV. NO:

**D**

DRAWING NO:

**WSD-AC02575**