

## Surface Raceway and Lighting Support Systems

### G-957 End Cap

Blank end cap for use with G-955 and B-902 channel.

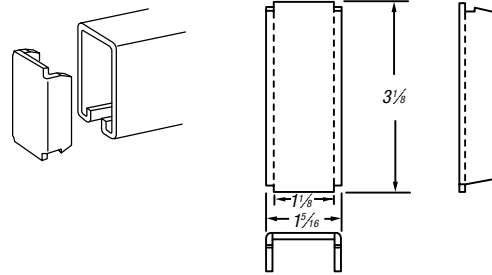


CAT. NO.	WT. LBS./C
<b>G 957</b>	14

14 ga. steel.

UL Listed for raceway.

Galv-Krom® finish.



### G-958 Channel Joiner

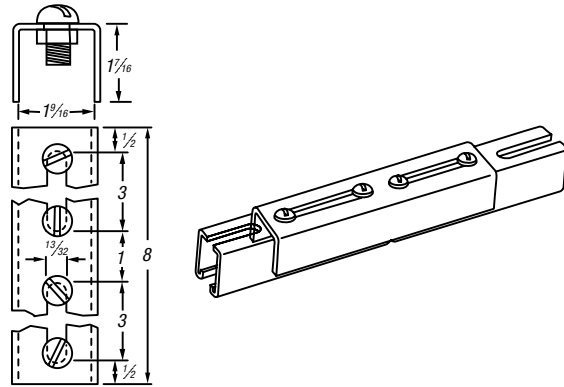
For 1 1/2" deep-slotted channel G-953.

CAT. NO.	WT. LBS./C
<b>G 958</b>	92

Four 3/8" x 3/4" bolts and nuts are furnished with the joiner.

14 ga. steel.

Galv-Krom® finish.



### G-959 End Cap

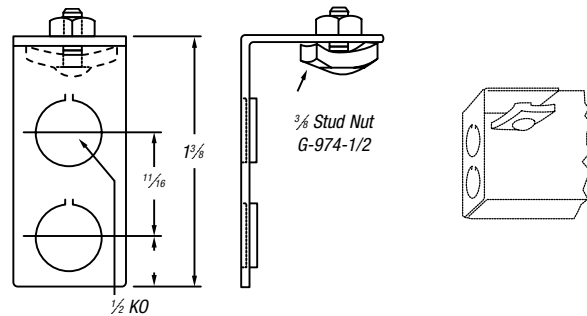
For use with G-955 and B-902 channel.

CAT. NO.	DESCRIPTION	WT. LBS./C
<b>G 959</b>	With two 1/2" Knockouts	31

12 ga. steel.

UL Listed for raceway.

Galv-Krom® finish.



### G-960 Channel Joiner

For 3/4" deep-slotted channel G-956.

CAT. NO.	WT. LBS./C
<b>G 960</b>	70

Four 3/8" x 3/4" bolts and nuts are furnished with the joiner.

14 ga. steel.

Galv-Krom® finish.

