

PanZone® Wall Mount Cabinet

specifications

Hinged wall mount cabinet shall be constructed from steel and capable of managing 12, 18, or 26 rack units of active and passive networking equipment. The cabinet shall have hinged doors on front and back for complete access to networking equipment. The cabinet shall have removable and locking side panels. Cabinet shall allow use of standard length patch cords and have capabilities for managing all patch cord slack without blocking ventilation openings or vertical pathways. Cabinet shall be engineered to allow proper climate control for use with various networking equipment including Power over Ethernet (PoE) switches and Uninterrupted Power Supplies (UPS).



technical information

Standards:	NEMA 1, IP20 Accepts 19" EIA rack mount panels and equipment.
Performance:	Tested to 2X the working load rating
	12 RU 250 lbs.
	18 RU 300 lbs.
	26 RU 350 lbs.
Packaging:	Cabinet and keys, locks, two adjustable #12-24 threaded rails, removable cover panel for vent on top of cabinet, assembly hardware and rear cable routing accessory kit.

Part Number	No. of Rack Units	Height In. (mm)	Width In. (mm)
PZWMC12 [^]	12	23.8 (605)	25.0 (635)
PZWMC1230 [^]	12	23.8 (605)	25.0 (635)
PZWMC18 [^]	18	34.0 (864)	25.0 (635)
PZWMC1830 [^]	18	34.0 (864)	25.0 (635)
PZWMC26 [^]	26	48.2 (1224)	25.0 (635)
PZWMC2630 [^]	26	48.2 (1224)	25.0 (635)

key features and benefits

Structurally engineered design	Allows cabinet to swing freely for easy operation even under maximum load capacity
Horizontal slack manager (available)	Improves cable routing by enabling front accessible moves, adds, and changes; increases airflow through the cabinet because patch cords are no longer in the vertical channel blocking side ventilation
Thermal management system	Optimizes airflow for improved heat dissipation from various switches and power supplies
Fan kits (available)	Provides additional ventilation for multiple switches or PoE enabled devices; use in cabinets with a windowed door
Adjustable equipment rails (0.9" increments)	Increases usable cabinet depth by accommodating various equipment including 1 RU or 2 RU PoE switches up to 26.8" deep. The cabinet will also accommodate 2.3" of room in the front of the cabinet for patch cords and cable management
Rack spaces identification	Allows for quick and easy location of rack spaces speeding installation of horizontal rack mount products
Grounding kit (available)	Complies with TIA/EIA grounding and bonding specifications
Removable and locking side panels	Allows for easy, secured access to installed equipment and cable routing

applications

The PanZone Wall Mount Cabinet is a zone cabling solution for connecting active and passive equipment in a low-profile space. This cabinet allows for easy deployment in applications where a Telecommunications Room might not be available, or where space is limited. The wall mounted cabinet provides security for equipment with keyed entry and has a dual hinged design to access equipment from front or rear of the cabinet. The cabinet has up to 26.8" inches of usable equipment depth and has removable side panels for ease of front to back cable routing. The optional bend radius posts provide clean cable management to the left or right of the EIA rails and provide relief for cables. In addition, the optional horizontal slack manager can be installed to manage patch cords routing from patch panel to the switch, which is especially useful for high density applications. Optional rear equipment rails provide additional support for network equipment, providing versatility for greater range of applications

PanZone Wall Mount Cabinets

Windowed Door:	PZWMC12 [^] PZWMC1230 [^] PZWMC18 [^] PZWMC1830 [^] PZWMC26 [^] PZWMC2630 [^]
White:	PZWMC1230WH PZWMC1830WH PZWMC2630WH

PanZone Cable Management Options

Horizontal slack manager:	PZCHSM2
Cable bend radius post, 3":	PZBR3
Cable bend radius post, 4":	PZBR4
Strain relief bracket, 2" offset:	SRB19BLY

PanZone Accessories

Fan kit, 51 cfm:	PZCFK
Fan kit, 120 cfm:	PZWMCFKHF
Fan filter replacement:	PZCFR
Grounding kit:	PZWMCCKG
Rear equipment rails kit, #12-24 threaded:	PZWMC12RR PZWMC18RR PZWMC26RR

White:	PZWMC12RRWH PZWMC18RRWH PZWMC26RRWH
---------------	---

Combination Lock Kit:	PZWMC-CL
1 RU Shelf:	SRM19FM1
2 RU Shelf:	SRM19FM2

PanZone Solid UTP Patch Cords*

Cat. 6A, plenum, plug to plug, blue:	UZPPBU
Cat. 6, plenum, plug to plug, blue:	UPPBU

Power Strips 19" Horizontal

15 A:	P12B01M
20 A:	P12B19M

Mini-Com® Modular Patch Panels

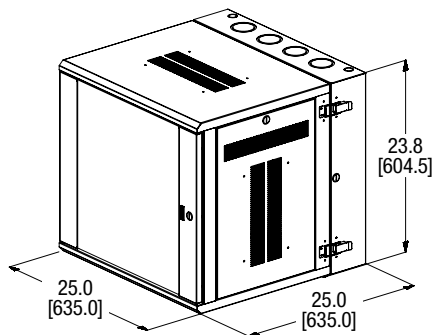
24-port:	CPPL24WBLY
48-port:	CPPL48WBLY

Replace [^] with W for windowed doors or P for perforated doors.

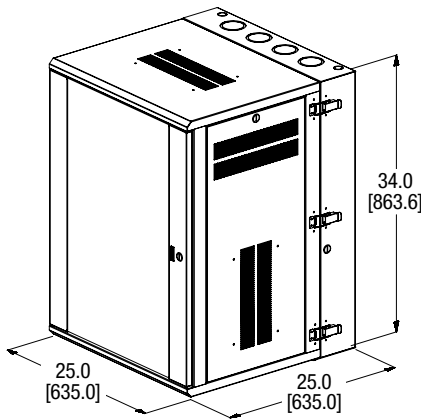
*Zone cords are available in multiple lengths. For full product offering please visit Panduit.com

PanZone® Wall Mount Cabinet

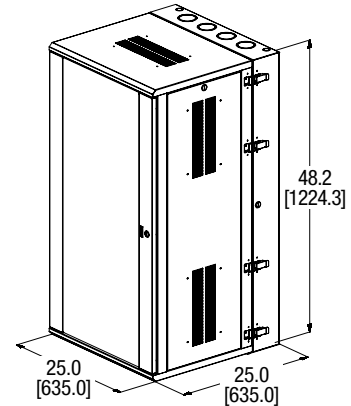
Part Number	Color	Number of Rack Units	Depth In. (mm)	Load Rating Lbs. (kg)	Door
PZWMC12W	Black	12	25 (635)	250 (113.4)	Windowed
PZWMC12P					Perforated
PZWMC1230W			30 (762)		Windowed
PZWMC1230P					Perforated
PZWMC1230WH			White		Windowed
PZWMC18W	Black	18	25 (635)	300 (136.1)	Windowed
PZWMC18P					Perforated
PZWMC1830W			30 (762)		Windowed
PZWMC1830P					Perforated
PZWMC1830WH			White		Windowed
PZWMC26W	Black	26	25 (635)	350 (158.8)	Windowed
PZWMC26P					Perforated
PZWMC2630W			30 (762)		Windowed
PZWMC2630P					Perforated
PZWMC2630WH			White		Windowed



12 RU Wall Mount Cabinet

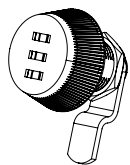


18 RU Wall Mount Cabinet

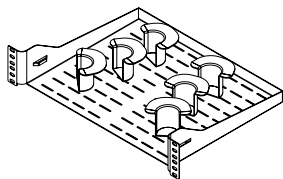


26 RU Wall Mount Cabinet

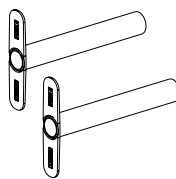
PanZone® Wall Mount Cabinet Cable Management Options and Accessories



PZWMC-CL
Combination Lock



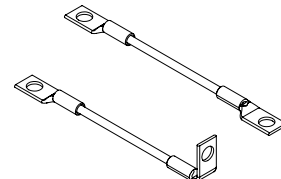
PZCHSM2
Horizontal Slack Manager, 2 RU



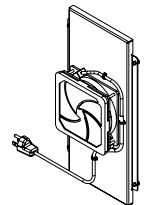
PZBR4
4" Bend Radius Post Kit



PZWMCRR**
Rear Equipment Rail Kit



PZWMC GK
Grounding Kit



PZCFK
Fan Kit

**12, 18, or 26 to align with Wall Mount Cabinet size. Dimensions are in inches. [Dimensions in brackets are metric].

WORLDWIDE SUBSIDIARIES AND SALES OFFICES

PANDUIT US/CANADA
Phone: 800.777.3300

PANDUIT EUROPE LTD.
London, UK
Phone: 44.20.8601.7200

PANDUIT SINGAPORE PTE. LTD.
Republic of Singapore
Phone: 65.6305.7575

PANDUIT JAPAN
Tokyo, Japan
Phone: 81.3.6863.6000

PANDUIT LATIN AMERICA
Guadalajara, Mexico
Phone: 52.33.3777.6000

PANDUIT AUSTRALIA PTY. LTD.
Victoria, Australia
Phone: 61.3.9794.9020

For a copy of Panduit product warranties, log on to www.panduit.com/warranty

For more information

Visit us at www.panduit.com/networkzone
iai@panduit.com

© 2023 Panduit Corp.
ALL RIGHTS RESERVED.
ZCSP31--WW-ENG
05/2023