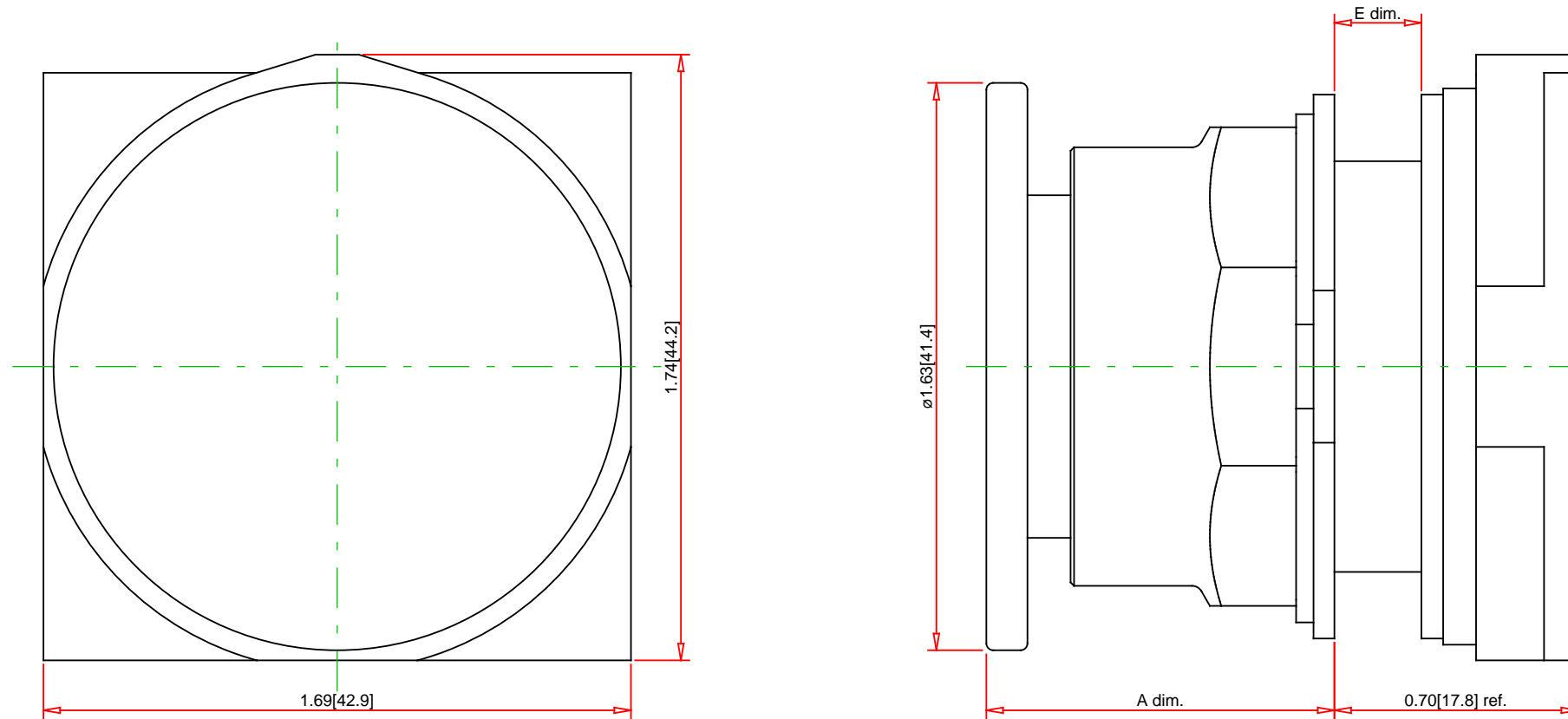


Panel Thickness E dim. inches (mm)	Number of Gasket
1/16 (1.6)	4
1/8 (3.2)	3
3/16 (4.8)	2
1/4 (6.4)	1



A dim. inches (mm)		
Depressed (Stop)	Midway (Neutral)	Extended (Start)
1 (25.4)	-	1 5/16 (49.2)

Note:  
- Drawings Not To Scale  
- Drawings Subject to Change Without Notice  
- Dimensions are inches next to [Millimeters]

Part No.:

**9001SKR9R05**

**Schneider**  
**Electric**

Schneider Electric United States  
North American Division  
Boston One Campus  
800 Federal Street  
Andover, MA 01810, USA  
Phone: +1 8773425173  
Email: CCC@us.schneider-electric.com

Technical Information:

UL File: E78403 CCN NKCR  
CSA File: LR24590 Class 3211-03  
CE Marked: Yes  
RoHS: Yes  
NEMA / IP Rating: NEMA 1/2/3/3R/4/4X/6/12/13 Water tight, Dust tight, Oil tight and Corrosion Resistant (Indoor/Outdoor), IP66  
Key Number: n/a  
Key Removal: n/a  
Light Module Supply Voltage: not applicable  
Light Module Type: not applicable  
Number of Operators: 1

Description:  
Ring Nut Material:  
Operator Type:  
Operator Action:  
Guard Type:  
Button/Cap Color:  
Lens Type:  
Lens Color:  
Knob Type:  
Knob Color:  
Number of Positions:

30mm Push Button  
Black Plastic  
Non-Illuminated  
Maintained (Push/Pull) - includes Push Emergency Stop legend  
Screw-On Plastic Mushroom (1.63 Inch/41mm)  
No Guard  
Red  
not applicable  
not applicable  
not applicable  
n/a  
2

Specification: