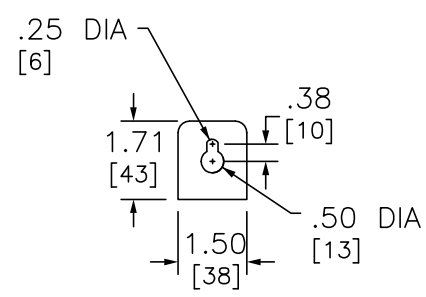


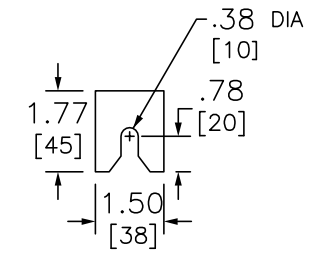
ADDITIONAL NOTES:  
WHEN USED AS SERVICE EQUIPMENT, INSTALL BONDING STRAP AND REINSTALL GROUND LUG WHERE APPROPRIATE.

- HANDLE EXTENSION AVAILABLE M-FRAME BREAKER ORDER KIT 33195.
- ▲ THIS LUG IS AVAILABLE FROM SQUARE D. ORDER CATALOG NUMBER CMLK4, KIT INCLUDES 4 LUGS.
- ‡ INDICATED VERSA-CRIMP CRIMPING TOOL.

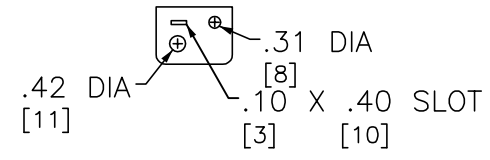
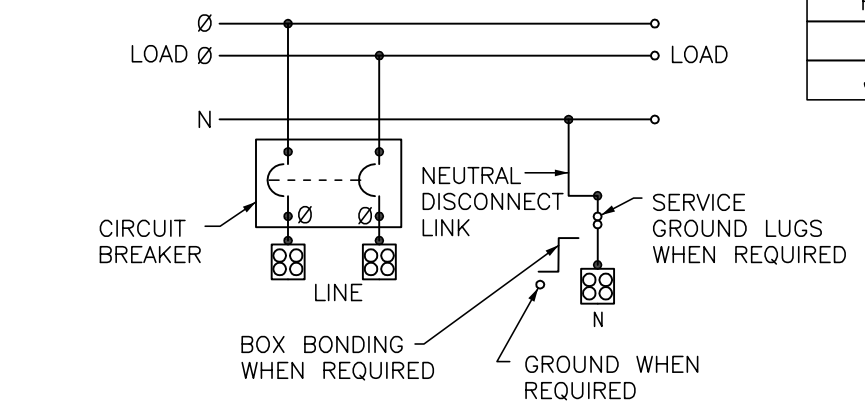
KNOCKOUTS		
SYMBOL	CONDUIT SIZE	
	IN	MM
A	.50	13
B	.75	19
E	1.50	38
F	2.00	51
G	2.50	64
H	3.00	76
I	3.50	89
J	4.00	102



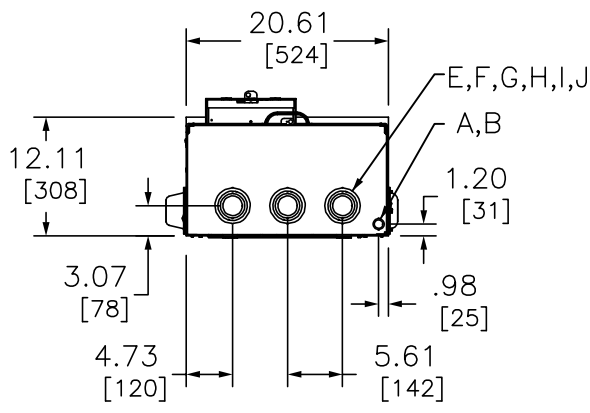
TOP MOUNTING BRACKET



BOTTOM MOUNTING BRACKET



SEAL BRACKET



DUAL DIMENSIONS: INCHES  
MILLIMETERS

CATALOG NUMBER	ALTERNATE LUG QUANTITY PER LINE SIDE PHASE AND NEUTRAL TERMINALS (ORDER SEPARATELY)																		
	ANDERSON										ILSCO				CMC				
	VCCL-050-12H2	VCCL-060-12H2	VCCL-075-12H2	VCCLC-050-12H2	VHCL-500-12BN	VHCL-600-12BN	VHCL-750-12BN	VACL-500-12BN	VACL-600-12BN	VACL-750-12BN	2ACL-600	TA-600-2N▲	TA-800-2N	TA-1000-2N	PB2-600-2N	A1B2-600-2	LID2-600	LID2-800	LID2-1000
	2/0-500 AL/CU	400-600 AL 400-500 CU	500-750 AL 500 CU	250-500 CU	4/0-500 CU	250-600 CU	500-750 CU	4/0-500 AL/CU	350-600 AL 350-500 CU	500-750 AL 500 CU	250-600 AL/CU	#2-600 AL/CU	300-800 AL/CU	500-1000 AL/CU	(2)2-600 AL/CU	#2-600 AL/CU	#2-600 AL/CU	300-800 AL/CU	500-1000 AL/CU
	VC63, VC6FT	VC-6FT	VC-6FT	VC63,VC7, VC6FT, VC7FT	VC63,VC7, VC6FT, VC7FT	VC6FT, VC7FT, VC8	VC6FT, VC7FT, VC8	VC63, VC6FT	VC6FT, VC8	VC6FT, VC8	IDT-12	MECH	MECH	MECH	MECH	MECH	MECH	MECH	MECH
EZM1600CBU	2	2	2	2	2	2	2	2	2	2	2	2	2	2	2	2			
EZM1800CBU	2	2	2	2	2	2	2	2	2	2	2	2	2	2	2	2			

▲ THIS LUG IS AVAILABLE FROM SQUARE D. ORDER CATALOG NUMBER CMLK4. KIT INCLUDES 4 LUGS.

NOTES:  
FINISH - GRAY BAKED ENAMEL POWDER COAT PAINT OVER CLEANED GALVANNEALED STEEL.  
UL LISTED - FILE E-10582, VOL. M, E-131840, VOL. M  
SUITABLE FOR USE AS SERVICE EQUIPMENT.  
MAIN HORIZONTAL CROSS BUS RATED 800A. (ALUMINUM 1/4 X 1 3/4 INCHES TWO LAMINATIONS)  
MAIN DEVICES ARE SEALABLE BY UTILITY.  
GANGABLE MULTI-METERING EQUIPMENT IS DESIGNED FOR WALL MOUNTING ONLY  
(NOT SUITABLE FOR FLOOR STANDING EQUIPMENT).  
\* MEETS EUSERC STANDARS FOR WEST COAST BASED UTILITIES DRAWING 315.  
TO COMPLY WITH EUSERC DRAWING 353, A BUSSED EXTENSION IS REQUIRED TO CONNECT BRANCH DEVICES TO THE LEFT SIDE OF THE MAIN DEVICES. ORDER CATALOG NUMBER EZM1EXT OR EZM1EXT6.

SYSTEM TYPE	MAIN RATING (AMPERES)	CATALOG NUMBER	MOLDED CASE BREAKER (FACTORY INSTALLED)	LINE PHASE AND NEUTRAL LUG LANDING PADS PROVIDED FOR USE WITH CRIMP-TYPE LUGS(2-HOLE MOUNTING) QUANTITY OF LUGS PER PAD	GROUND LUG WIRE RANGE (FACTORY INSTALLED)
1Ø 3W 120/240VAC	600	EZM1600CBU	● MGF26600(65kA)	2 (ORDER LUGS SEPARATELY)	(1) #6-300
	800	EZM1800CBU	● MGF26800(65kA)	2 (ORDER LUGS SEPARATELY)	(1) #6-300

EZ METER-PAK GANGABLE MULTI-METERING EQUIPMENT  
600A AND 800A 1PH 3W MAIN CIRCUIT BREAKER DEVICE  
UNDERGROUND FEED ONLY  
RAINFOOF TYPE 3R ENCLOSURE

**SQUARE D**  
by Schneider Electric

DWG# PWFDS-SYRS-0169  
NO.