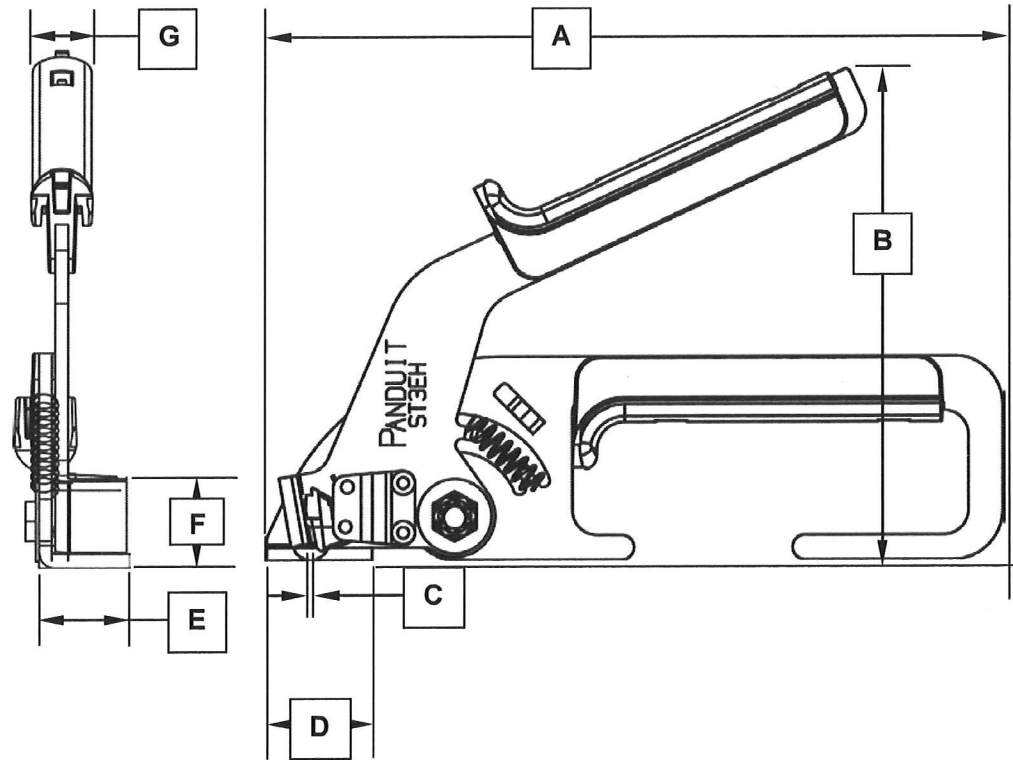


THIS COPY IS PROVIDED ON A RESTRICTED BASIS AND IS NOT TO BE USED IN ANY WAY DETRIMENTAL TO THE INTERESTS OF PANDUIT CORP.



SPECIFICATIONS:

PANDUIT TOOL NO: ST3EH
 TOOL WEIGHT: 9 oz. (256 gr.)

INSTALLS ALL LH, H, & EH CROSS SECTION CABLE TIES.

CABLE TIE CROSS-SECTION CODE:

LH = Light Heavy H = Heavy EH = Extra Heavy

THIS TOOL'S FEATURES INCLUDE:

- Single handle trigger for fast installation
- Cable tie side entry for immediate positioning of tie and tool
- One hand operation – lightweight
- Installer controlled tension
- Cut-off capability with the twist of the wrist
- Easy removal of excess tie

DIMENSIONS SHOWN IN PARENTHESES ARE (mm) METRIC:

A = 7.50 (190.50) OVERALL LENGTH
 B = 5.0 (127.00) OPEN HANDLE SPAN
 C = .098 W x .604 L (2.49 W x 15.24 L) TIE ENTRY
 D = 1.063 (27.00) HEIGHT OF HEAD
 E = .875 (22.23) DEPTH OF HEAD
 F = .875 (22.23) WIDTH OF HEAD
 G = .50 (12.70) DEPTH OF HANDLE

F:\RVUSERS\ENGDOCS\CUSTDWGS\TB25129A01_01.doc

REV	DATE	BY	CHK	APR	DESCRIPTION	ECN	ST3EH CABLE TIE INSTALLATION TOOL				CUSTOMER DRAWING	
							ITEM REVISION NAME: TB25129A01_01				PANDUIT	
							UNLESS OTHERWISE SPECIFIED, DIMENSIONAL TOLERANCES ARE: (.x) ± --- (.xxx) ± --- (.xx) ± --- ANGLES ± ---				MATERIAL: -----	
01	2-07-13	BLR	<i>[Signature]</i>	<i>[Signature]</i>	UPD TEMPLATE & BRANDING	4608	THIRD ANGLE PROJECTION				DRAWING NUMBER: TB25129A01	
							DRAWN BY: BLR	DATE: 4-19-06	CHK BJPU	SCALE NONE	SHT 1 OF 1	SIZE A