

STAINLESS STEEL LOCK WASHER

Features:

- Manufactured in type 316 stainless steel to meet any stringent sanitary condition
- Polished with standard “brite” finish to increase corrosion resistance and aesthetic appearance
- Provides excellent strength and durability to service a variety of installation requirements
- No package quantity required

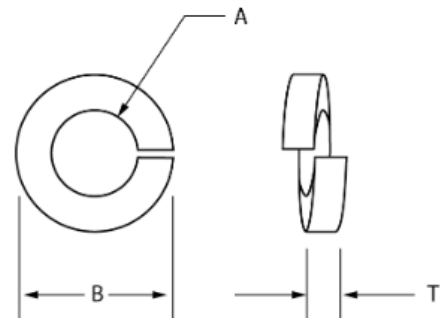
Applications:

Calbrite's stainless steel Lock Washers place tension against a nut after tightening, to help prevent loosening.



Part Number	Trade Size (in)	A (in)	B (in)	T (in)	Weight per each (lbs)
S60200LW00	1/4	0.25	0.50	0.07	0.007
S60300LW00	3/8	0.38	0.68	0.11	0.008
S60500LW00	1/2	0.50	0.86	0.14	0.010
S60600LW00	5/8	0.63	1.05	0.16	0.012

All dimensions are for informational purposes only *Tolerances +/- 5%



For more info visit [atkore.com/calbrite](https://www.atkore.com/calbrite)