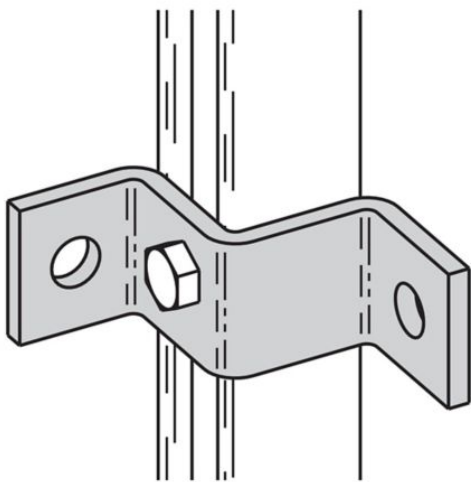


# Eaton B111ZN

Catalog Number: B111ZN

Eaton B-Line series corner connection, 1.62" H x 3.5" L x 1.62" W, Steel, Electro-plated, 1/4" Gauge



## General specifications

Product Name	Catalog Number
Eaton B-Line series corner connection	B111ZN
UPC	Product Length/Depth
781011501532	3.5 in
Product Height	Product Width
1.62 in	1.62 in
Product Weight	Certifications
0.68 lb	Not Applicable

## Model

### Type

Three hole sheath corner connection

## Material/finish

### Finish

Electro-plated

### Material

Steel

### Material gauge

1/4"

## Resources

### Catalogs

[Channel Nuts and Hardware Catalog Section](#)

[Strut Fittings Catalog Section](#)

### Specifications and datasheets

[Eaton Specification Sheet - B111ZN](#)



Eaton Corporation plc  
Eaton House  
30 Pembroke Road  
Dublin 4, Ireland  
Eaton.com  
© 2024 Eaton. All Rights Reserved.

Eaton is a registered trademark.

All other trademarks are property of their respective owners.



[Eaton.com/socialmedia](https://www.eaton.com/socialmedia)