



Molded-plastic enclosure for surface mounting Degree of protection IP55 with N and PE terminal Can be locked in O position 72 mm with metric cable gland No UL/CSA approval

Figure similar

product category	Enclosure
product designation	Molded-plastic enclosure for surface mounting
design of the product	Assembly


**General technical data**

product function EMERGENCY OFF function	No
protection class IP of the enclosure	IP55
Substance Prohibitance (Date)	07/01/2006
material of the enclosure	plastic




**Installation/ mounting/ dimensions**

height	155 mm
width	105 mm
depth	126 mm

**Approvals Certificates**

General Product Approval		Test Certificates	
		<a href="#">Confirmation</a>	
			<a href="#">Type Test Certificates/Test Report</a>
			<a href="#">Special Test Certificate</a>

**Marine / Shipping other Railway**

		<a href="#">Confirmation</a>	<a href="#">Miscellaneous</a>		<a href="#">Special Test Certificate</a>
---	---	------------------------------	-------------------------------	---	--

**Environment**

[Environmental Confirmations](#)

**Further information**

Information on the packaging  
<https://support.industry.siemens.com/cs/ww/en/view/109813875>  
 Information- and Downloadcenter (Catalogs, Brochures,...)  
<https://www.siemens.com/ic10>  
 Industry Mall (Online ordering system)

<https://mall.industry.siemens.com/mall/en/en/Catalog/product?mlfb=3RV1923-1DA00>

Cax online generator

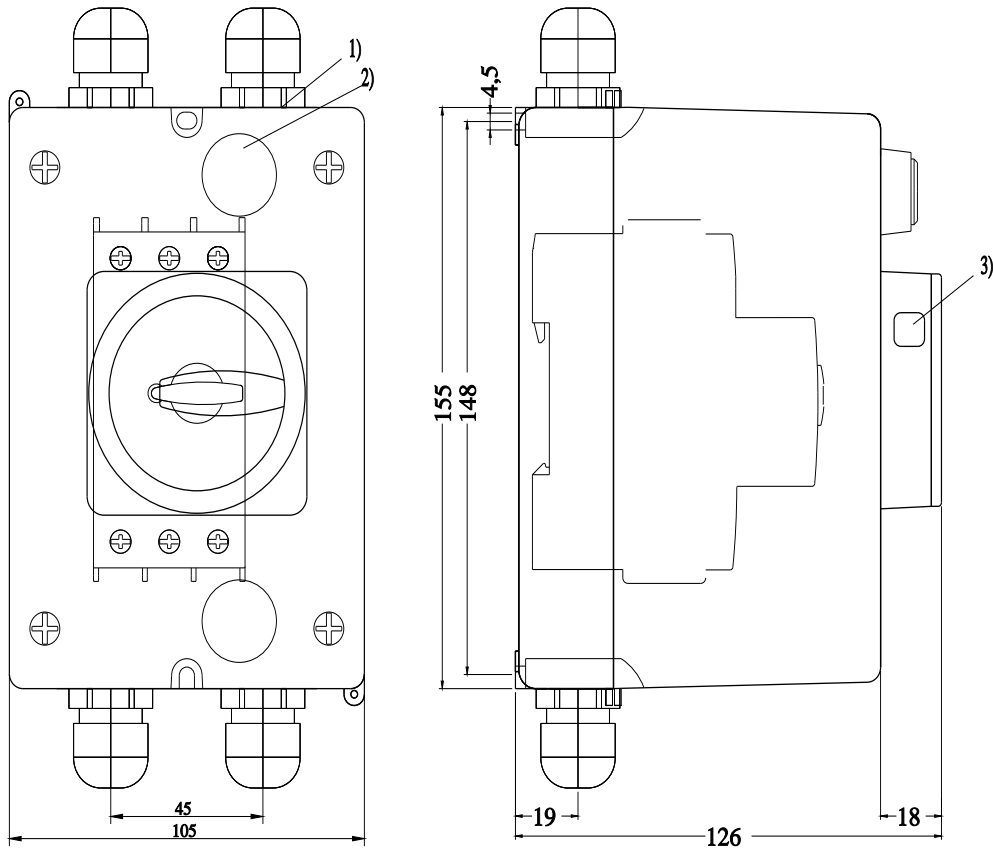
<http://support.automation.siemens.com/WW/CAXorder/default.aspx?lang=en&mlfb=3RV1923-1DA00>

Service&Support (Manuals, Certificates, Characteristics, FAQs,...)

<https://support.industry.siemens.com/cs/ww/en/ps/3RV1923-1DA00>

Image database (product images, 2D dimension drawings, 3D models, device circuit diagrams, EPLAN macros, ...)

[http://www.automation.siemens.com/bilddb/cax\\_de.aspx?mlfb=3RV1923-1DA00&lang=en](http://www.automation.siemens.com/bilddb/cax_de.aspx?mlfb=3RV1923-1DA00&lang=en)



- 1) Ausbrechöffnung fuer Verschraubung M25
- 2) Ausbrechöffnung fuer ruckseitige Leitungseinführung
- 3) Öffnung fuer Vorhaengeschluss mit Buegeldurchmesser max. 8 mm

last modified:

1/10/2024