

Eaton B172-12ZN

Catalog Number: B172-12ZN

Eaton B-Line series clevis fitting, 2.43" H x 7.24" L x 2.12" W,
Steel, Electro-plated, 7/32" Gauge, Fits channel type B12

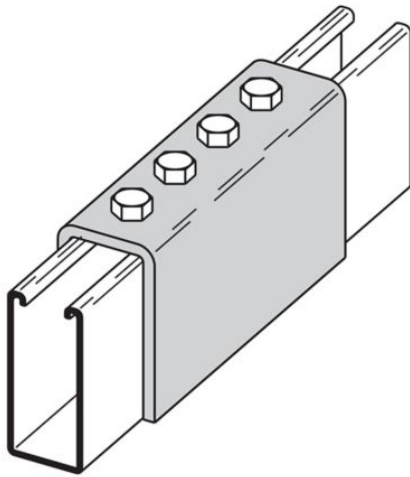


Photo is representative

General specifications

Product Name	Catalog Number
Eaton B-Line series clevis fitting	B172-12ZN
UPC	Product Length/Depth
781011515973	7.24 in
Product Height	Product Width
2.43 in	2.12 in
Product Weight	Certifications
3.26 lb	Not Applicable

Model

For channel type

Fits channel type B12

Type

Four hole splice clevis

Material/finish

Finish

Electro-plated

Material

Steel

Material gauge

7/32"

Resources

Catalogs

[Channel Nuts and Hardware Catalog Section](#)

[Strut Fittings Catalog Section](#)

Specifications and datasheets

[Eaton Specification Sheet - B172-12ZN](#)



Eaton Corporation plc
Eaton House
30 Pembroke Road
Dublin 4, Ireland
Eaton.com

© 2024 Eaton. All Rights Reserved.

Eaton is a registered trademark.

All other trademarks are property of their respective owners.



[Eaton.com/socialmedia](https://www.eaton.com/socialmedia)