



LED MR16

7.8MR16/PER/940/S10/Dim/EC/12V 10/1FB

Philips LED MR-16 lamps with single optic technology provide the look and color quality of traditional halogens while using a fraction of the energy. A perfect fit for spot lighting, they are compatible with most existing fixtures with MR16 GU5.3 holders and are designed as a retrofit replacement for halogen or incandescent spots.

Product data

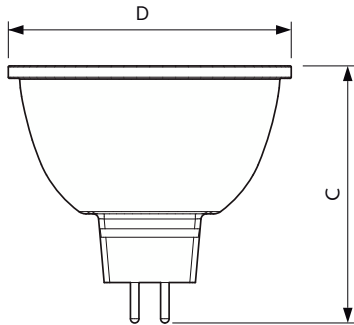
General Information		Power Consumption	
Cap-Base	GU5.3	Power Consumption	7.8 W
Nominal lifetime	25,000 hour(s)	Lamp Current (Nom)	720 mA
Switching Cycle	50,000	Wattage Equivalent	35 W
Lighting Technology	LED	Starting Time (Nom)	0.5 s
EU RoHS compliant	Yes	Warm-up time to 60% light	0.5 s
		Power Factor (Fraction)	0.7
		Voltage (Nom)	ac electronic 12 V
Light Technical		Temperature	
Color Code	940 [CCT of 4000K]	T-Case Maximum (Nom)	93 °C
Beam Angle (Nom)	10 degree(s)		
Luminous Flux	540 lm	Controls and Dimming	
Luminous Intensity (Nom)	5,900 cd	Dimmable	Only with specific dimmers
Color Designation	Cool White (CW)		
Correlated Color Temperature (Nom)	4000 K	Mechanical and Housing	
Luminous Efficacy (rated) (Nom)	69.00 lm/W	Bulb Finish	Clear
Color Consistency	<3	Bulb Material	Aluminum
Color rendering index (CRI)	95	Bulb Shape	MR16
LLMF At End Of Nominal Lifetime (Nom)	70 %		
Operating and Electrical		Approval and Application	
Line Frequency	- Hz	Suitable For Accent Lighting	Yes
Input Frequency	- Hz		

LED MR16

Energy Certifications	Energy Star
Product Data	
Order product name	7.8MR16/PER/940/S10/Dim/EC/12V 10/1FB
Full product name	7.8MR16/PER/940/S10/Dim/EC/12V 10/1FB
Order code	929003080904
Material Nr. (12NC)	929003080904

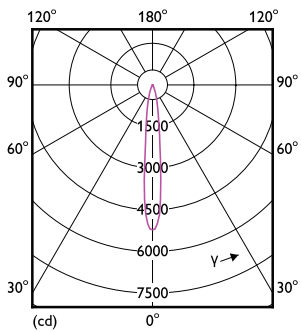
Numerator - Quantity Per Pack	1
EAN/UPC - Product/Case	046677573591
Numerator - Packs per outer box	10
EAN/UPC - Case	50046677573596

Dimensional drawing

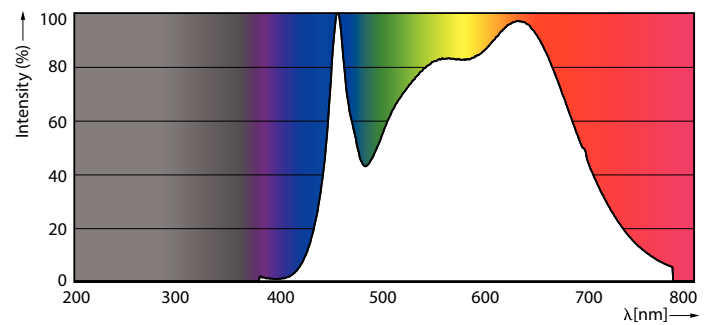


Product	D	C
7.8MR16/PER/940/S10/Dim/EC/12V 10/1FB	50.5 mm	46 mm

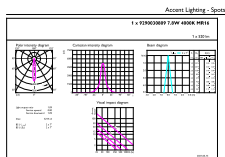
Photometric data



Light Distribution Diagram - 7.8MR16/PER/940/S10/Dim/EC/12V 10/1FB



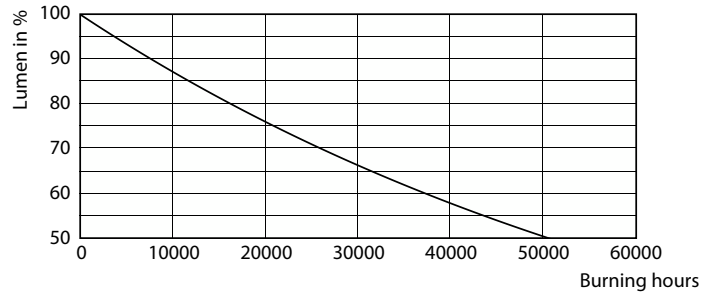
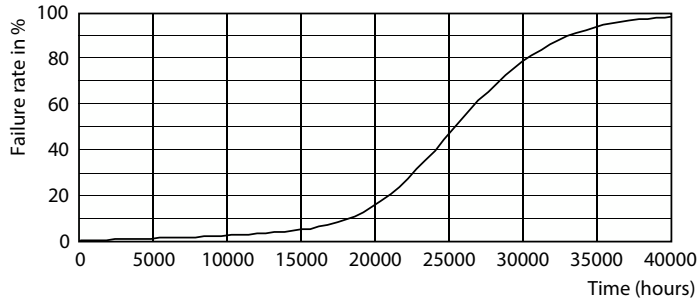
Spectral Power Distribution Colour - 7.8MR16/PER/940/S10/Dim/EC/12V 10/1FB



Accent Lighting Spots - 7.8MR16/PER/940/S10/Dim/EC/12V 10/1FB

LED MR16

Lifetime



Life Expectancy Diagram - 7.8MR16/PER/940/S10/Dim/EC/12V 10/1FB

Lumen Maintenance Diagram - 7.8MR16/PER/940/S10/Dim/EC/12V 10/1FB

