

Instructions for Assembly and Installation
of 2A11890, Cassette Secondary Disconnect
Block.



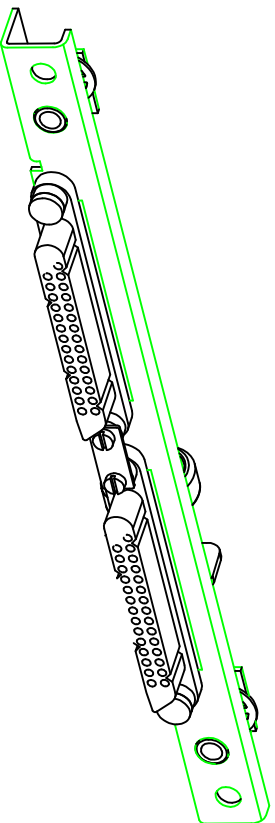
WARNING

All power to the secondary disconnect blocks must be removed before installation of this replacement parts kit. It is also strongly recommended that power to the primary contacts in the rear of this enclosure be removed.

Manufacturer/Supplier assumes no responsibility for damage done to circuit breakers or other equipment during field mounting of this replacement part.

Contents of Kit #2A11890

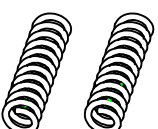
CONNECTOR ASSEMBLY
(1 REQD)



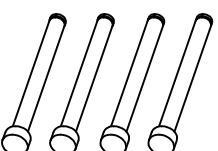
M7 RETAINING
RING (4 REQD)



SPRING
RING (2 REQD)

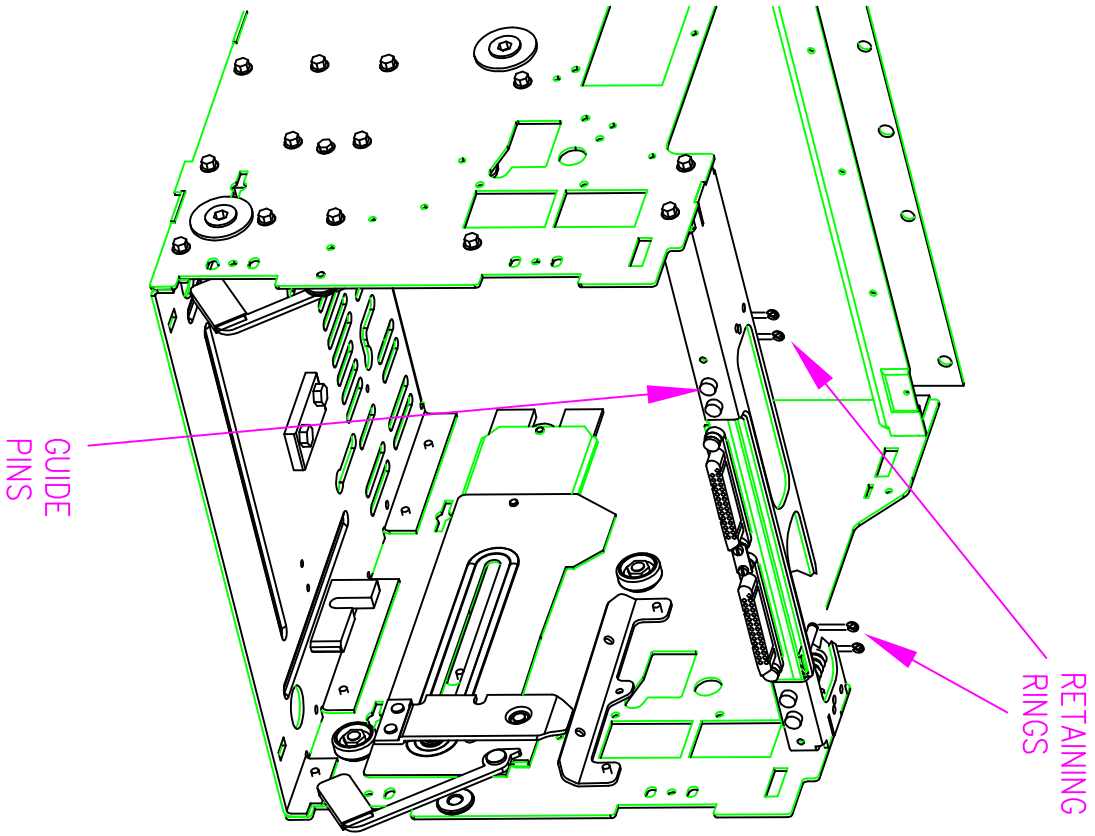


GUIDE PIN
(4 REQD)

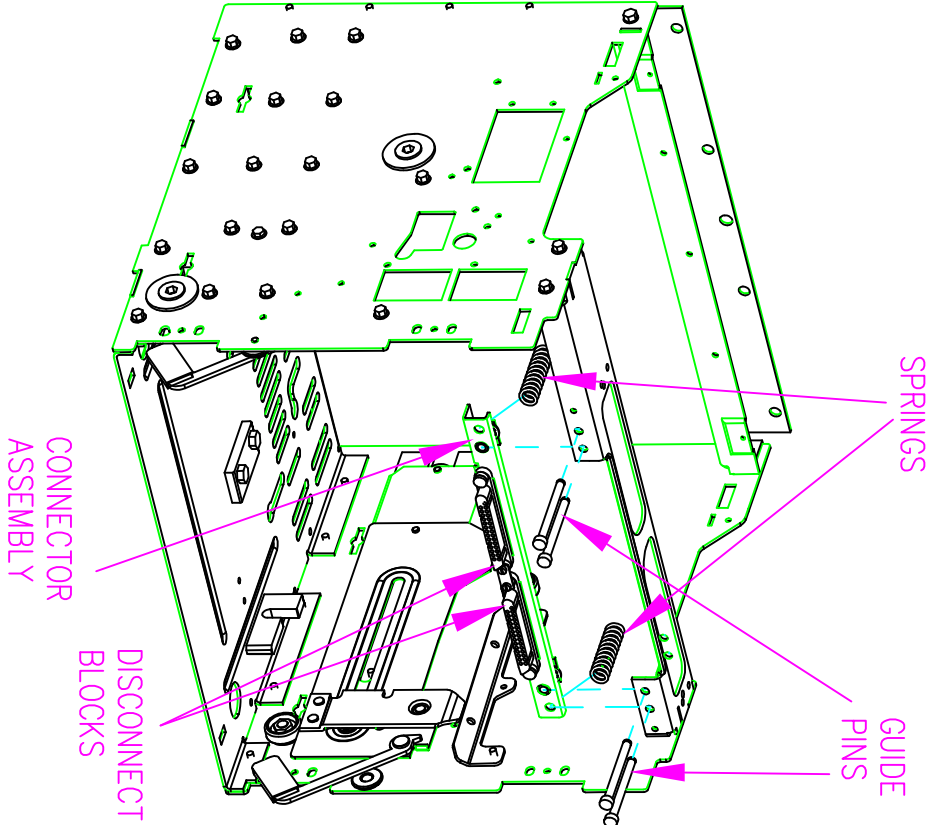


TOOLS REQUIRED FOR ASSEMBLY: AMP Extraction Tool #305183
(Not supplied) Needle-nose Pliers

Step 1: Remove retaining rings from the 4 guide pins. Use needle-nose pliers – discard retaining rings.

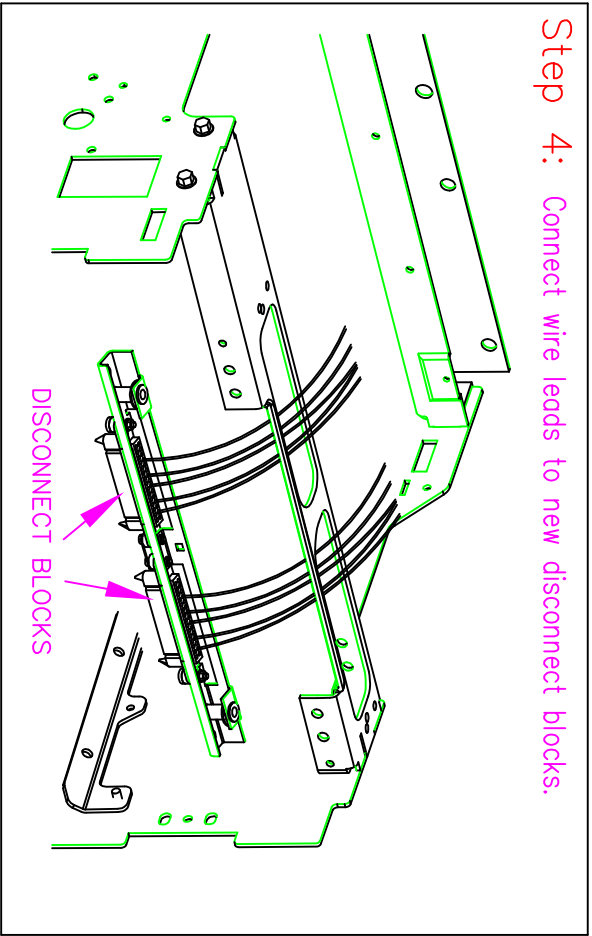


Step 2: Remove the 4 guide pins and lower the connector assembly and springs. Discard the pins and springs.

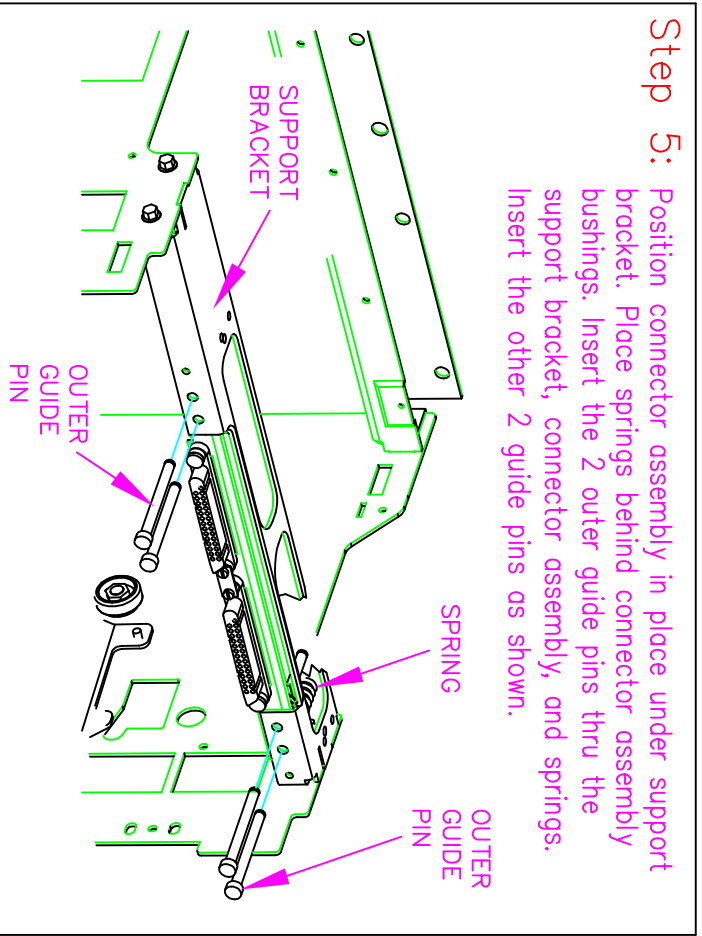


Step 3: Remove wire leads from rear of disconnect blocks using AMP extraction tool #305183 and remove connector assembly.

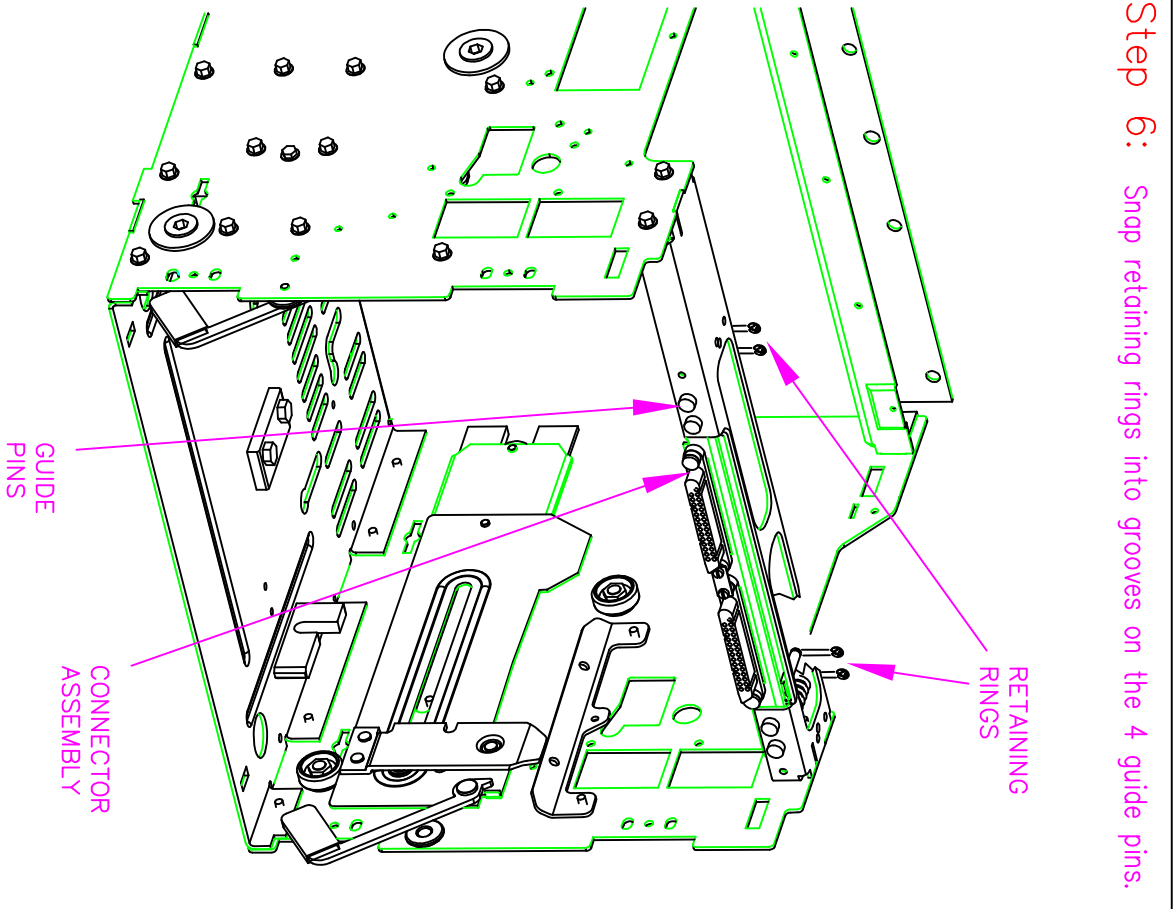
Step 4: Connect wire leads to new disconnect blocks.



Step 5: Position connector assembly in place under support bracket. Place springs behind connector assembly bushings. Insert the 2 outer guide pins thru the support bracket, connector assembly, and springs. Insert the other 2 guide pins as shown.



Step 6: Snap retaining rings into grooves on the 4 guide pins.



Step 7: Check to be certain that the connector assembly slides freely under the support bracket.

