



<b>Project:</b>	<b>Type:</b>
<b>Prepared By:</b>	<b>Date:</b>

Driver Info		LED Info	
Type	N/A	Watts	11W
120V	N/A	Color Temp	2700K/3000K/3500K/4000K/5000K
208V	N/A	Color Accuracy	90 CRI
240V	N/A	L70 Lifespan	25,000 Hours
277V	N/A	Lumens	1,000 lm
Input Watts	11W	Efficacy	90

## Technical Specifications

### Performance

#### Product Type:

PAR

#### Description:

Replacements for halogen PAR lamps. Dimmable CCT-adjustable lamps that are wet rated and great for use outdoors.

#### Wattage Equivalency:

75W

#### Input Wattage:

11W

#### Lumens:

1,000lm

#### Efficacy:

90lm/W

#### L70 Lifespan:

25,000-Hour LED lifespan based on IES LM-70 results (lamps only)

### Electrical

#### Power Factor:

0.9

#### Dimmable:

Yes, dimmable down to 10% on compatible TRIAC/ELV dimming systems. See Dimmer Compatibility List.

#### Input Voltage:

120V

#### Operating Frequency:

60 Hz

#### Input Current @ 120V (mA):

105mA

#### Operating Temperature:

-4°F to 113°F (-20°C to 45°C)

### LED Characteristics

#### Beam Angle:

40°

#### Color Temperature:

Field adjustable via dip switch  
2700/3000/3500/4000/5000K

#### Color Accuracy (CRI):

90 CRI

#### R9 Value:

High color performance with R9 no greater than 0

#### Color Consistency:

<4-step MacAdam Ellipse binning to achieve consistent fixture-to-fixture color

### Installation

#### Base Type:

E26 Edison

### Construction

#### Shape:

PAR30-L

#### Finish:

White

#### Endcap Material:

Aluminum

#### Enclosure Material:

Plastic+Aluminum

#### Lens Finish:

Frosted

#### Lens Construction:

Single optic and full face lens for precise beam angle control

### Compliance

#### Listings:

UL1993

## Technical Specifications (continued)

**Environment:**

Suitable for use indoors and outdoors in dry, damp, or wet environments.

**Fixture Rating:**

Suitable for use in enclosed fixtures.  
Suitable for use in open fixtures.

**Certification Model Number:**

PAR30LFA-11-9CCT-40D-DIM

**California Title 20 Compliant:**

Can be used to conform with the requirements of California Title 20

**California Title 24 JA8 Compliant:**

Can be used to conform with the requirements of California Title 24 Part 6

**California Energy Commission (CEC) Status:**

Lawful for Sales in California

**IESNA LM-79 & LM-80 Testing:**

RAB LED luminaires and LED components have been tested by an independent laboratory in accordance with IESNA LM-79 and LM-80.

**RoHS:**

Mercury and UV free. RoHS-compliant components.

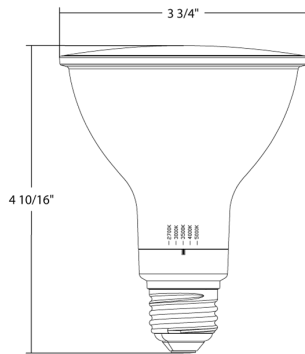
**FCC:**

Complies with Part 15 of the FCC Rules

**Other****Warranty:**

RAB warrants that our LED products will be free from defects in materials and workmanship for a period of three (3) years from the date of delivery to the end user, including coverage of light output, color stability, driver performance and fixture finish. RAB's warranty is subject to all terms and conditions found at [rablighting.com/warranty](http://rablighting.com/warranty).

## Dimensions



## Features

Adjustable CCT to choose from 2700/3000/3500/4000/5000K

Replacement for incandescent/halogen PAR Lamps

Rated for use in enclosed fixtures in dry, damp, or wet locations

90+CRI provides high quality color rendering. Title 20 and Title 24 Compliant

Dimmable down to 10% on compatible TRIAC/ELV dimming systems.