



<b>Project:</b>	<b>Type:</b>
<b>Prepared By:</b>	<b>Date:</b>

Driver Info		LED Info	
Type	N/A	Watts	14W
120V	N/A		Tunable White
208V	N/A	Color Temp	2200K-6500K (16+ million colors)
240V	N/A	Color Accuracy	90 CRI
277V	N/A	L70 Lifespan	50,000 Hours
Input Watts	14W	Lumens	1,150 lm
		Efficacy	82

## Technical Specifications

### Lightcloud

#### Lightcloud Blue Sensor Installed:

Lightcloud Blue is a Bluetooth Mesh wireless lighting control system that allows you to control RAB's various compatible devices. With RAB's patented Rapid Provisioning technology, devices can be quickly and easily commissioned for residential and large commercial applications using the Lightcloud Blue mobile app. Each device in a system can communicate with any other device, eliminating the need for a Gateway or Hub and maximizing the control system's reach.

DLC system - N1XMLOEATBA (Interior);  
NHCZ2BIA17L (Exterior)

Learn more at [www.lightcloud.com](http://www.lightcloud.com).

#### Gateway Required:

No

#### Communication Protocol:

Bluetooth Mesh

#### Range:

Indoor: Up to 60 feet between standard building materials. Building materials such as brick, concrete, and steel construction may require additional Lightcloud Blue devices to extend around an obstruction; Up to 200 feet clear line of sight.

Outdoor: Up to 60 feet clear line of sight; Up to 18 feet around corners

#### Spacing Criteria:

Lightcloud Blue devices should be placed within the specified range to communicate within the Bluetooth Mesh network.

#### Factory Reset:

##### Method 1: Delete from App

Open the app and access the device settings for the paired device. Be sure that the device is online and select 'Delete'. The device will flash on/off 5 times and return to full brightness.

##### Method 2: Manual

Power the device off and on 5x consecutively. Do not allow less than 4s to elapse from switching off to on. Do not allow more than 2s to elapse from switching on to off. The device will flash 3x, then reset to 100% brightness at default CCT.

##### Method 3: Rapid Reset Tool

The Rapid Reset process must be done by a professional electrician qualified by RAB. Reach out to your RAB sales manager to request a Rapid Reset Tool. The tool simply needs to be placed directly on the device for 2s or until the lamp/luminaire flashes 3x, then resets to 100% brightness at the default CCT. (see product instruction sheet for more details.)

### SmartShift

#### SmartShift:

SmartShift is the most advanced - yet easiest to use - circadian lighting system, which syncs white color tuning with the local sunrise and sunset. Requires the NANO/LCB (sold separately)

### Performance

#### Product Type:

PAR38

#### Description:

No Gateway or Hub required. These lamps can be wirelessly controlled via the mobile app. Ideal for indoor or outdoor in floods, can lights, accent lighting and more

#### Wattage Equivalency:

100W Incandescent

#### Input Wattage:

14W

#### Lumens:

1,150lm

#### Efficacy:

82lm/W

**Technical Specifications (continued)**

**L70 Lifespan:**

50,000-Hour LED lifespan based on IES LM-70 results

**Electrical**

**Driver:**

Constant Current

**THD:**

<20%

**Power Factor:**

0.9

**Dimmable:**

Yes, via the Lightcloud Blue mobile app and devices. This lamp will not operate properly when connected to a standard (incandescent) dimmer or dimming control.

**Input Voltage:**

120V

**Operating Frequency:**

60 Hz

**Input Current @ 120V (mA):**

130mA

**Operating Temperature:**

-4°F to 104°F (-20°C to 40°C)

**Maximum Beam Candela Power (MBCP):**

1,350

**Flicker:**

≤30%

**LED Characteristics**

**Beam Angle:**

50°

**Color Temperature:**

3000K

Adjustable using the Lightcloud Blue mobile app

Tunable White 2200K - 6500K

16+ million RGB colors

**Color Accuracy (CRI):**

90 CRI

**R9 Value:**

High color performance with R9 greater than 50

**Color Consistency:**

<4-step (2700K) MacAdam Ellipse binning to achieve consistent fixture-to-fixture color

**Installation**

**Installation Orientation:**

Universal Installation

**Base Type:**

E26 Edison

**Construction**

**Shape:**

PAR38

**Finish:**

White

**Endcap Material:**

Metal

**Enclosure Material:**

Plastic

**Lens Finish:**

Frosted

**Lens:**

Single optic and full-face lens for precise beam angle control

**Compliance**

**Listings:**

UL Listed, UL Classified

**Environment:**

Suitable for use indoors and outdoors in dry, damp, or wet environments.

**Energy Star Approved:**

No

**DLC Listed:**

No

**DLC NLC Listed:**

This product is on the Design Lights Consortium (DLC) Network Lighting Controls (NLC) Qualified Products List and is eligible for rebates from DLC Member Utilities.

DLC system - N1XMLOEATBA (Interior);

NHCZ2BIA17L (Exterior)

**Certification Model Number:**

PAR38/RGB

**California Title 20 Compliant:**

Can be used to conform with the requirements of California Title 20

**California Title 24 JA8 Compliant:**

Can be used to conform with the requirements of California Title 24 Part 6

**California Energy Commission (CEC) Status:**

Lawful for Sales in California

**RoHS:**

Mercury and UV free. RoHS-compliant components.

**FCC:**

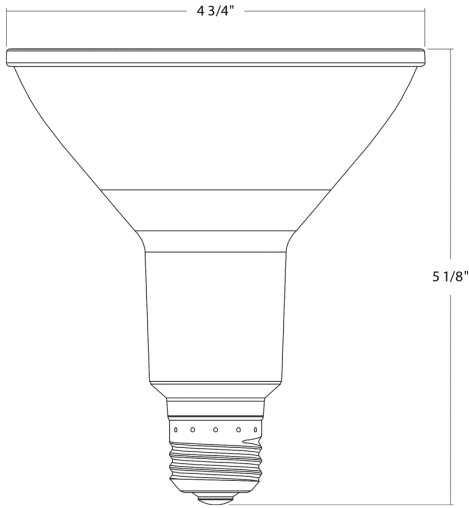
Complies with Part 15 of the FCC Rules

**Other**

**Warranty:**

RAB warrants that our LED products will be free from defects in materials and workmanship for a period of three (3) years from the date of delivery to the end user, including coverage of light output, color stability, driver performance and fixture finish. RAB's warranty is subject to all terms and conditions found at [rablighting.com/warranty](http://rablighting.com/warranty).

## Dimensions



## Features

- Direct Connect to the Lightcloud Blue mobile app via Bluetooth, no Gateway or Hub required
- Use mobile device to configure features for On/Off Control, Dim Level, Color Temperature, Schedules, Scenes, SmartShift and more
- Choose between 16+ million colors to fit any mood
- Tunable White 2200-6500K with smooth transition between color temperatures
- 50,000 hrs; 5-year, no-compromise warranty

## Ordering Matrix

Family	Wattage	CRI/Color Temp	Driver	Finish	Controls
PAR38					/RGB
	Blank = 14W	Blank = 90 CRI, 2200-6500K	Blank = 120V	Blank = White	/RGB = 16+ million colors using Lightcloud Blue