

Product data sheet

Specifications

SQUARE D



Switch, manual, 30A, 3 pole, 10HP at 575VAC, three phase, toggle operated, no indicator, NEMA 1 jumbo enclosure

2510KGJ2

Product availability: Stock - Normally stocked in distribution facility

Main

Product	Single Unit Manual Switch
Type	K

Complementary

Current Rating	30 A
Cable Entry	0.5" and 0.75" knock-outs (top and bottom)
Horsepower Rating	2 hp 115 V AC 1 hp 90 V DC 2 hp 115 V DC 1.5 hp 230 V DC 7.5 hp 230 V AC 10 hp 460 V AC 10 hp 575 V AC
Maximum Voltage Rating	600 V AC 230 V DC
Number of Poles	3P
Control Unit Type	Toggle
Number of Phases	3 phase
Pilot Light	No indicator
Starter Type	Non reversing
Electrical Connection	Screw clamp terminals
Wire Gauge	AWG 14...AWG 10 copper
Height	4.25 in (107.95 mm)
Width	2.88 in (73.15 mm)
Depth	2.75 in (69.85 mm)

Environment

Certifications	UL listed file E42243 CCN NLRV CSA LR25490 class 3211 05
NEMA Enclosure Rating	NEMA 1 painted sheet steel oversized

Ordering and shipping details

Category	US10CP121102
Discount Schedule	0CP1
GTIN	785901486534

Price is "List Price" and may be subject to a trade discount – check with your local distributor or retailer for actual price.

Returnability	Yes
----------------------	-----

Country of origin	MX
--------------------------	----

Packing Units

Unit Type of Package 1	PCE
-------------------------------	-----

Nbr. of units in pkg.	1
------------------------------	---

Package 1 Height	3.2 in (8.1 cm)
-------------------------	-----------------

Package 1 Width	3.8 in (9.7 cm)
------------------------	-----------------

Package 1 Length	4.9 in (12.4 cm)
-------------------------	------------------

Package weight(Lbs)	18.08 oz (512.6 g)
----------------------------	--------------------

Contractual warranty

Warranty (in months)	18
-----------------------------	----



Environmental Data

Schneider Electric aims to achieve Net Zero status by 2050 through supply chain partnerships, lower impact materials, and circularity via our ongoing “Use Better, Use Longer, Use Again” campaign to extend product lifetimes and recyclability.

[Environmental Data explained >](#)

[How we assess product sustainability >](#)



Environmental footprint

Total lifecycle Carbon footprint	51 kg CO2 eq.
Carbon footprint of the manufacturing phase [A1 to A3]	3 kg CO2 eq.
Carbon footprint of the distribution phase [A4]	0.1 kg CO2 eq.
Carbon footprint of the installation phase [A5]	0.1 kg CO2 eq.
Carbon footprint of the use phase [B2, B3, B4, B6]	47 kg CO2 eq.
Carbon footprint of the end-of-life phase [C1 to C4]	0.8 kg CO2 eq.
Environmental Disclosure	Product Environmental Profile

Use Better



Materials and Substances

Packaging made with recycled cardboard	Yes
Packaging without single use plastic	Yes
EU RoHS Directive	Compliant
REACH Regulation	Free of Substances of Very High Concern above the threshold
California proposition 65	WARNING: This product can expose you to chemicals including: Lead and lead compounds, which is known to the State of California to cause cancer and birth defects or other reproductive harm. For more information go to www.P65Warnings.ca.gov
PVC free	Yes

Use Longer



Lifetime extension

Repair	No
--------	----

Use Again

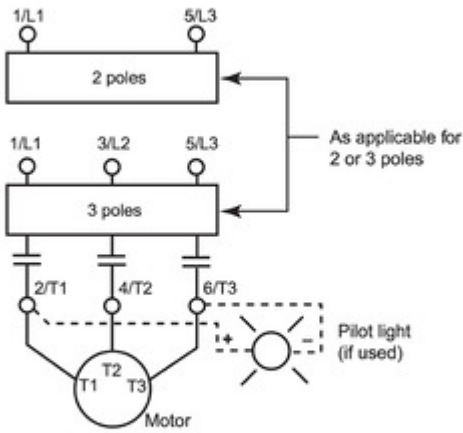


Repack and remanufacture

Recyclability potential, in %	74
Circularity Profile	No need of specific recycling operations
Take-back	No

Technical Illustration

Wiring diagram



NOTE: The lamp is polarity sensitive in DC applications.