



# Southwire™

## CONDUIT HANGERS WITH BOLT AND NUT ATTACHED - STEEL

### FEATURES

- Assembled with nut and bolt

### APPLICATION

- Indoor or outdoor use
- Use to secure and suspend conduit from overhead supports

### STANDARD MATERIAL

- Steel

### STANDARD FINISH

- Zinc plated

### CERTIFICATIONS

- UL Listed



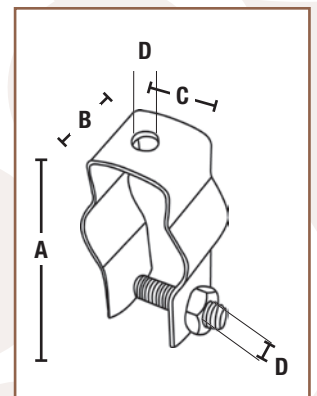
LISTED



601TZ



| PART # | UPC   | SIZE   | RIGID     | EMT    | BOLT SIZE | CARTON QTY | CARTON WEIGHT | A     | B     | C     | D      |
|--------|-------|--------|-----------|--------|-----------|------------|---------------|-------|-------|-------|--------|
| 601TZ  | 15830 | 0      | 3/8"-1/2" |        | 1/4"-20   | 100        | 6             | 1.875 | 0.75  | 0.725 | 0.25   |
| 602TZ  | 15840 | 1      | 3/4"      | 3/4"   | 1/4"-21   | 100        | 8             | 2.125 | 0.75  | 0.85  | 0.25   |
| 603TZ  | 15850 | 2      | 1"        | 1"     | 1/4"-22   | 100        | 8             | 2.437 | 0.875 | 0.975 | 0.25   |
| 604    | 15860 | 3      | 1-1/4"    | 1-1/2" | 1/4"-23   | 100        | 10            | 2.75  | 0.875 | 0.975 | 0.25   |
| 604A   | 15870 | 2/1/02 | ---       | 1-1/4" | 1/4"-24   | 100        | 10            | 2.875 | 0.875 | 1.05  | 0.25   |
| 605    | 15880 | 4      | 1-1/2"    | ---    | 1/4"-25   | 100        | 18            | 3.125 | 1     | 1.125 | 0.25   |
| 606    | 15890 | 5      | 2"        | 2"     | 1/4"-26   | 50         | 10            | 3.875 | 1     | 1.145 | 0.25   |
| 607    | 15900 | 6      | 2-1/2"    | 2-1/2" | 5/16"-18  | 50         | 11            | 4.625 | 1.25  | 1.225 | 0.3125 |
| 608TZ  | 15910 | 7      | 3"        | 3"     | 5/16"-19  | 25         | 6             | 5.5   | 1.25  | 1.275 | 0.3125 |
| 609TZ  | 15920 | 8      | 3-1/2"    | 3-1/2" | 5/16"-20  | 25         | 8             | 5.75  | 1.25  | 1.275 | 0.3125 |
| 610    | 15930 | 9      | 4"        | 4"     | 5/16"-21  | 25         | 12            | 6.25  | 1.25  | 1.275 | 0.3125 |



Rev. 0, 03/26

**BUILT FOR DURABILITY.  
BUILT FOR RELIABILITY.  
BUILT FOR WORK.™**

1-855-798-6657 | SOUTHWIRE.COM

©2026 Southwire Company, LLC. All rights reserved.  
\*Registered Trademark & ™Trademark of Southwire Company, LLC.