



Southwire™

PIPE FITTINGS

ONE HOLE EMT STRAP

FEATURES

- Snap-on EMT strap with one hole
- Inverted rib for strength
- Easy no-tool installation

APPLICATION

- Indoor or outdoor, use to support EMT conduit to wood, masonry or where greater load bearing is required

MATERIAL/FINISH

- Steel/Zinc plated

CERTIFICATIONS

- UL Standard: UL 2239
- Fed. Spec: W-F-406E, W-F-406D
- NEMA: FB 1-2014

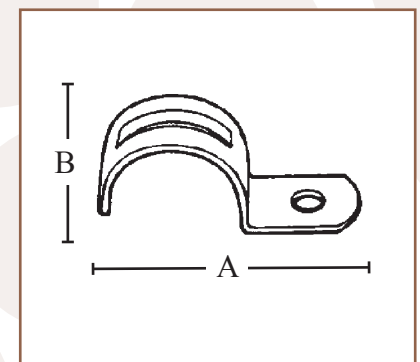


PART #	EMT SIZE	BOX QTY.	A	B
511	1/2"	100	1.79"	.57"
EPS0075EGTZ	3/4"	50	1.96"	.62"
EPS0100EGTZ	1"	25	2.25"	.75"
EPS0125EGTZ	1-1/4"	20	2.85"	.88"
EPS0150EGTZ	1-1/2"	20	3.16"	.99"
EPS0200EGTZ	2"	10	3.93"	1.10"
517TZ*	2-1/2"	50	5"	1.28"
518TZ*	3"	25	5.55"	1.28"
519*	3-1/2"	25	6.37"	1.28"
520*	4"	25	6.87"	1.28"

*EMT and Rigid



511



Rev.1, 03/26

**BUILT FOR DURABILITY.
BUILT FOR RELIABILITY.
BUILT FOR WORK.™**

1-855-798-6657 | SOUTHWIRE.COM

©2026 Southwire Company, LLC. All rights reserved.
*Registered Trademark & ™Trademark of Southwire Company, LLC.