

# Product data sheet

Specifications



Push-button, Harmony 9001K,  
metal, mushroom 57mm, red,  
30mm, spring return, 1 C/O

9001KR25RH13

**Product availability: Non-Stock - Not normally stocked in distribution facility**

## Main

Range of Product	Harmony 9001K
Product or Component Type	Push-button
Device short name	9001K
Type of operator	spring return
Operator profile	Red mushroom Ø 57 mm, unmarked

## Complementary

Bezel material	Metal
Mounting diameter	1.2 in (30 mm)
CAD overall width	2.2 in (57 mm)
CAD overall height	2.2 in (57 mm)
CAD overall depth	2.8 in (70 mm)
Terminals description ISO n°1	(13-14-11-12)OF
Product Weight	0.291 lb(US) (0.132 kg)
Operating position	Any position
Shape of signaling unit head	Round
Head material	Plastic
Operator additional information	Screw-on plastic with set screw
Contacts type and composition	1 C/O
Positive opening	Without
Mechanical durability	5000000 cycles
Connections - terminals	Screw clamp terminals, 1 x 0.22...2 x 1.5 mm <sup>2</sup> IEC 60947-1
Tightening torque	7.08 lbf.in (0.8 N.m) IEC 60947-1
Shape of screw head	Cross slotted
Contacts material	Silver alloy contacts
Short-circuit protection	10 A cartridge fuse IEC 60947-5-1
[Ith] conventional free air thermal current	10 A
[Ui] rated insulation voltage	250 V 3)IEC 60947-1
[Uimp] rated impulse withstand voltage	2.5 kV IEC 60947-1
[Ie] rated operational current	3 A 240 V, AC-15, A600-Q600 NEMA 0.55 A 125 V, DC-13, A600-Q600 NEMA

Price is "List Price" and may be subject to a trade discount – check with your local distributor or retailer for actual price.

<b>[Icm] rated short-circuit making capacity</b>	12 kA 600 V AC-15, 7200 VA 15 kA 480 V AC-15, 7200 VA 30 kA 240 V AC-15, 7200 VA 60 kA 120 V AC-15, 7200 VA 0.1 kA 600 V DC-13 0.27 kA 250 V DC-13 0.55 kA 125 V DC-13
<b>Rated breaking capacity</b>	3 kA 240 V AC-15, 720 VA 6 kA 120 V AC-15, 720 VA 1.2 kA 600 V AC-15, 720 VA 1.5 kA 480 V AC-15, 720 VA 0.1 kA 600 V DC-13 0.27 kA 250 V DC-13 0.55 kA 125 V DC-13
<b>Device presentation</b>	Complete product
<b>Cap/operator or lens colour</b>	Red
<b>Operator profile</b>	Mushroom Ø 57 mm
<b>Type of operator</b>	Spring return
<b>Size</b>	30 mm

## Environment

<b>Protective treatment</b>	TC
<b>Ambient Air Temperature for Storage</b>	-40...158 °F (-40...70 °C)
<b>Ambient Air Temperature for Operation</b>	-13...158 °F (-25...70 °C)
<b>Overtoltage category</b>	Class II conforming to IEC 61140
<b>IP Degree of Protection</b>	IP65/IP66
<b>NEMA degree of protection</b>	NEMA 1 NEMA 12 NEMA 13 NEMA 2 NEMA 3 NEMA 3R NEMA 4 NEMA 6
<b>Standards</b>	IEC 60947-5-1 IEC 60947-1 IEC 60947-5-4 JIS C 4520 JIS C 852 UL 508 CSA C22.2 No 14
<b>Product Certifications</b>	NEMA UL 508
<b>Vibration resistance</b>	7 gn (f= 2...500 Hz) conforming to IEC 60068-2-6
<b>Shock resistance</b>	50 gn IEC 60068-2-27

## Ordering and shipping details

<b>Category</b>	US10CS121426
<b>Discount Schedule</b>	0CS1
<b>GTIN</b>	785901033578
<b>Returnability</b>	No
<b>Country of origin</b>	MX

## Packing Units

<b>Unit Type of Package 1</b>	PCE
<b>Nbr. of units in pkg.</b>	1
<b>Package 1 Height</b>	2.126 in (5.400 cm)
<b>Package 1 Width</b>	4.528 in (11.500 cm)
<b>Package 1 Length</b>	2.362 in (6.000 cm)
<b>Package weight(Lbs)</b>	5.855 oz (166.000 g)
<b>Unit Type of Package 2</b>	S01
<b>Number of Units in Package 2</b>	14
<b>Package 2 Height</b>	5.906 in (15.000 cm)
<b>Package 2 Width</b>	5.906 in (15.000 cm)
<b>Package 2 Length</b>	15.748 in (40.000 cm)
<b>Package 2 Weight</b>	5.602 lb(US) (2.541 kg)

## Contractual warranty

<b>Warranty (in months)</b>	18
-----------------------------	----



## Environmental Data

Schneider Electric aims to achieve Net Zero status by 2050 through supply chain partnerships, lower impact materials, and circularity via our ongoing “Use Better, Use Longer, Use Again” campaign to extend product lifetimes and recyclability.

[Environmental Data explained >](#)

[How we assess product sustainability >](#)



### Environmental footprint

[Environmental Disclosure](#)

[Product Environmental Profile](#)

## Use Better



### Materials and Substances

Packaging made with recycled cardboard

Yes

Packaging without single use plastic

Yes

SCIP Number

Ae0c4eb9-0bfb-40a4-851f-5c619fbe777d

EU RoHS Directive

[Compliant By Exemption](#)

REACH Regulation

[Reference contains Substances of Very High Concern above the threshold](#)

California proposition 65

**WARNING:** This product can expose you to chemicals including: Lead and lead compounds, which is known to the State of California to cause cancer and birth defects or other reproductive harm. For more information go to [www.P65Warnings.ca.gov](http://www.P65Warnings.ca.gov)

## Use Longer



### Lifetime extension

Repair

No

## Use Again



### Repack and remanufacture


Circularity Profile

[End of Life Information](#)

Take-back

No

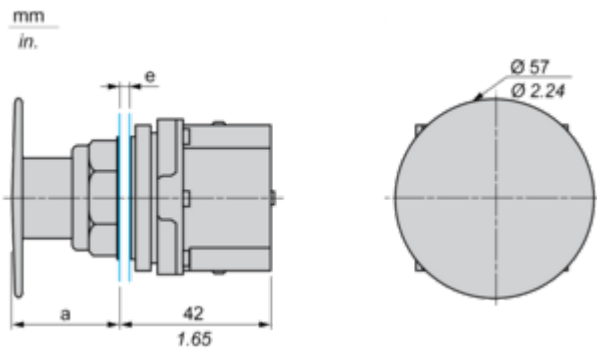
WEEE Label

 The product must be disposed on European Union markets following specific waste collection and never end up in rubbish bins.

Dimensions Drawings

Dimensions

---



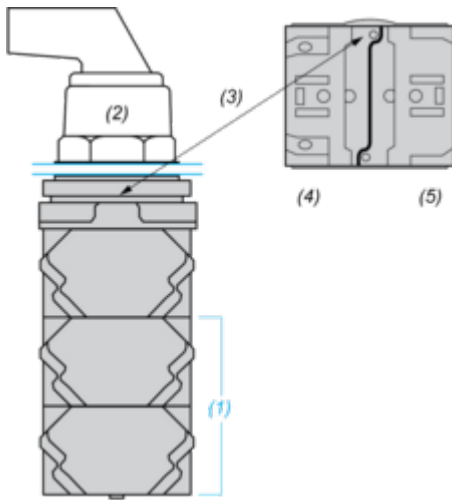
e panel thickness: 1 to 6 mm / 0.04 to 0.24 in.  
a 28 mm / 1.10 in.

Mounting and Clearance

Contact Block Mounting Position

---

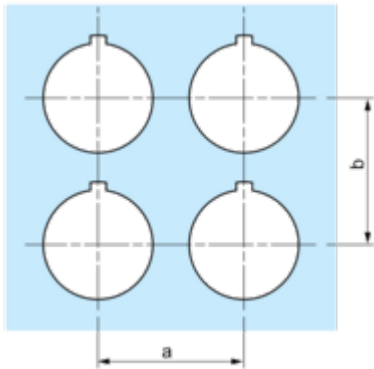
Top and Rear views



- (1) It is possible to mount up to 3 levels of contacts blocks (maximum of 6 contacts blocks)
- (2) Operator
- (3) Locating notch
- (4) Side 1
- (5) Side 2

Panel Cut-Out

Clearance



Legend plate	a min.		b min.	
	mm	in.	mm	in.
9001KN2••	57.2	2.25	57.2	2.25
9001KN3••	57.2	2.25	57.2	2.25

Individual Cut-outs Details

2 alternatives

