

# Product data sheet

Specifications



Head for push button, Harmony 9001K, metal, metal mushroom 40mm, red, 30mm, 2 positions, push pull

9001KR9RM94

Product availability: Stock - Normally stocked in distribution facility

## Main

Range of Product	Harmony 9001K
Product or Component Type	Head for push-button
Product Compatibility	Contact block 9001KA..
Device short name	9001K
Type of operator	push-pull
Operator profile	Red mushroom Ø 40 mm, unmarked

## Complementary

Bezel material	Metal
Mounting diameter	1.2 in (30 mm)
CAD overall width	1.8 in (45.5 mm)
CAD overall height	1.8 in (45 mm)
CAD overall depth	2.9 in (74 mm)
Product Weight	0.311 lb(US) (0.141 kg)
Operating position	Any position
Shape of signaling unit head	Round
Head material	Metal
Operator additional information	Screw-on metal with set screw
Operator position information	2 positions
Contacts type and composition	Without contact block
Mechanical durability	5000000 cycles
Device presentation	Basic element
Cap/operator or lens colour	Red
Operator profile	Mushroom Ø 40 mm
Type of operator	Push-pull
Size	30 mm

## Environment

Protective treatment	TC
Ambient Air Temperature for Storage	-40...158 °F (-40...70 °C)

Price is "List Price" and may be subject to a trade discount – check with your local distributor or retailer for actual price.

<b>Ambient Air Temperature for Operation</b>	-13...158 °F (-25...70 °C)
<b>Overvoltage category</b>	Class II conforming to IEC 61140
<b>NEMA degree of protection</b>	NEMA 1 NEMA 12 NEMA 13 NEMA 2 NEMA 3 NEMA 3R NEMA 4 NEMA 6
<b>Standards</b>	IEC 60947-5-1 IEC 60947-1 IEC 60947-5-4 JIS C 4520 JIS C 852 UL 508 CSA C22.2 No 14
<b>Product Certifications</b>	UL 508 NEMA
<b>Vibration resistance</b>	7 gn (f= 2...500 Hz) conforming to IEC 60068-2-6
<b>Shock resistance</b>	50 gn IEC 60068-2-27

## Ordering and shipping details

<b>Category</b>	US10CS121426
<b>Discount Schedule</b>	0CS1
<b>GTIN</b>	785901677222
<b>Returnability</b>	Yes
<b>Country of origin</b>	MX

## Packing Units

<b>Unit Type of Package 1</b>	PCE
<b>Nbr. of units in pkg.</b>	1
<b>Package 1 Height</b>	2.200 in (5.588 cm)
<b>Package 1 Width</b>	3.700 in (9.398 cm)
<b>Package 1 Length</b>	1.800 in (4.572 cm)
<b>Package weight(Lbs)</b>	4.640 oz (131.542 g)

## Contractual warranty

<b>Warranty (in months)</b>	18
-----------------------------	----



## Environmental Data

Schneider Electric aims to achieve Net Zero status by 2050 through supply chain partnerships, lower impact materials, and circularity via our ongoing “Use Better, Use Longer, Use Again” campaign to extend product lifetimes and recyclability.

[Environmental Data explained >](#)

[How we assess product sustainability >](#)

### Environmental footprint

[Environmental Disclosure](#)

[Product Environmental Profile](#)

## Use Better

### Materials and Substances

Packaging made with recycled cardboard

Yes

Packaging without single use plastic

Yes

SCIP Number

Ae0c4eb9-0bfb-40a4-851f-5c619fbe777d

EU RoHS Directive

[Compliant By Exemption](#)

REACH Regulation

[Reference contains Substances of Very High Concern above the threshold](#)

California proposition 65

**WARNING:** This product can expose you to chemicals including: Lead and lead compounds, which is known to the State of California to cause cancer and birth defects or other reproductive harm. For more information go to [www.P65Warnings.ca.gov](http://www.P65Warnings.ca.gov)

## Use Longer

### Lifetime extension

Repair

No

## Use Again

### Repack and remanufacture

Circularity Profile

[End of Life Information](#)

Take-back

No

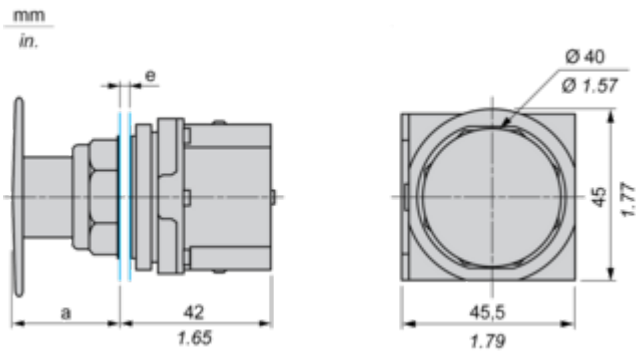
WEEE Label

The product must be disposed on European Union markets following specific waste collection and never end up in rubbish bins.

Dimensions Drawings

Dimensions

---



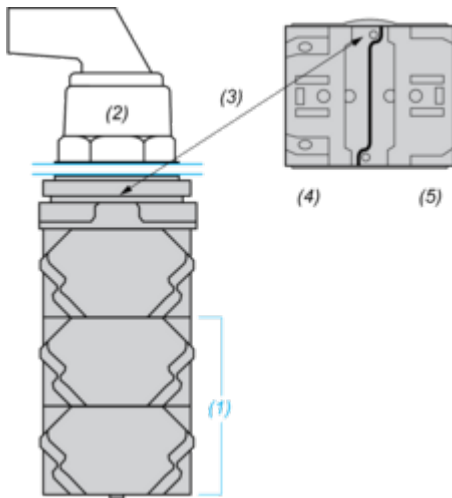
e panel thickness: 1 to 6 mm / 0.04 to 0.24 in.  
a 32 mm / 1.26 in.

Mounting and Clearance

Contact Block Mounting Position

---

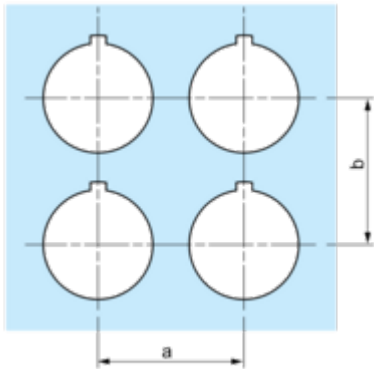
Top and Rear views



- (1) It is possible to mount up to 3 levels of contacts blocks (maximum of 6 contacts blocks)
- (2) Operator
- (3) Locating notch
- (4) Side 1
- (5) Side 2

Panel Cut-Out

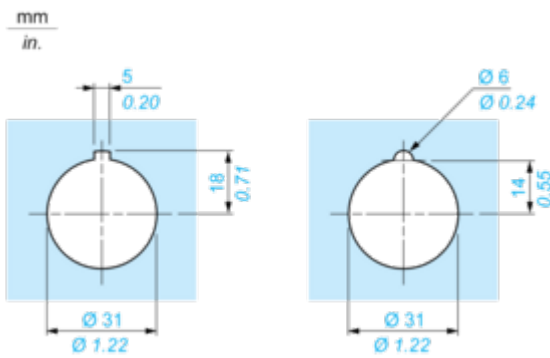
Clearance



Legend plate	a min.		b min.	
	mm	in.	mm	in.
9001KN2••	57.2	2.25	44.5	1.75
9001KN3••	57.2	2.25	50.8	2.00

Individual Cut-outs Details

2 alternatives



Offer Marketing Illustration

Product benefits / Features

---

**Features**  
Harmony 9001K



- 

Improved security thanks to finger-safe contact blocks and light modules
- 

Single screw Contact Block Fastening
- 

Robustness to withstand the harshest environments
- 

Automatic self-grounding operators without additional wiring
- 

Large metal set of accessories to customize your product

Offer Marketing Illustration

Product benefits / Features

---

### Technical Benefits

#### Harmony 9001K

