

Product data sheet

Specifications

SQUARE D



Industrial control transformer, Type TF, 1 phase, 100VA, 240x480V primary, 120V secondary, 50/60Hz

9070TF100D1

Product availability: Stock - Normally stocked in distribution facility

Main

Product or Component Type	Industrial Control Transformer
Type	TF

Complementary

Number of Phases	1 phase
Power Rating	100 VA UL 100 VA CSA 100 VA NOM 100 VA CE
Primary to Secondary Voltage	240 x 480 V 120 V 230 x 460 V 115 V 220 x 440 V 110 V
Fuse type	0.41 x 1.50 in CC top
Temperature rise	55 °C
Electrical Connection	Screw clamp terminals
Height	4.25 in (107.95 mm)
Width	3.38 in (85.85 mm)
Depth	3.34 in (84.84 mm)
Material	Copper: winding
Fingersafe Cover Compatibility	FSC1

Environment

Product Certifications	UL listed file E61239 CSA file LR37055 guide 184-N-90
Enclosure Type	Not rated (open device)
Insulation temperature	221 °F (105 °C)

Ordering and shipping details

Category	US10CP816202
Discount Schedule	0CP8
GTIN	785901904786
Returnability	Yes
Country of origin	MX

Packing Units

Price is "List Price" and may be subject to a trade discount – check with your local distributor or retailer for actual price.

Unit Type of Package 1	PCE
Nbr. of units in pkg.	1
Package 1 Height	6.400 in (16.256 cm)
Package 1 Width	6.700 in (17.018 cm)
Package 1 Length	7.800 in (19.812 cm)
Package weight(Lbs)	4.601 lb(US) (2.087 kg)

Contractual warranty

Warranty (in months)	18
-----------------------------	----



Environmental Data

Schneider Electric aims to achieve Net Zero status by 2050 through supply chain partnerships, lower impact materials, and circularity via our ongoing “Use Better, Use Longer, Use Again” campaign to extend product lifetimes and recyclability.

[Environmental Data explained >](#)

[How we assess product sustainability >](#)



Environmental footprint

[Environmental Disclosure](#)

[Product Environmental Profile](#)

Use Better



Materials and Substances

Packaging made with recycled cardboard	Yes
Packaging without single use plastic	No
SCIP Number	Cc71a744-5621-4411-9c01-0b5589085e26
EU RoHS Directive	Compliant By Exemption
REACH Regulation	Reference contains Substances of Very High Concern above the threshold
California proposition 65	WARNING: This product can expose you to chemicals including: Phenyl glycidyl ether, which is known to the State of California to cause cancer and birth defects or other reproductive harm. For more information go to www.P65Warnings.ca.gov
PVC free	Yes

Use Longer



Lifetime extension

Repair	No
--------	----

Use Again

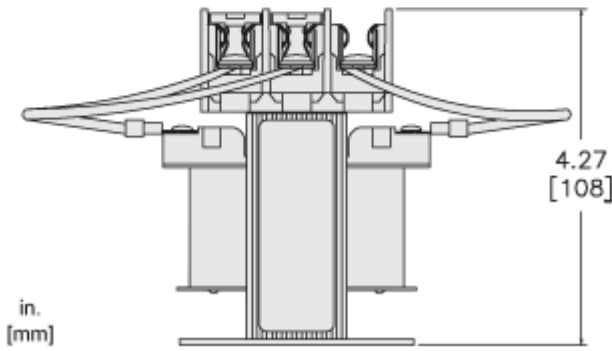
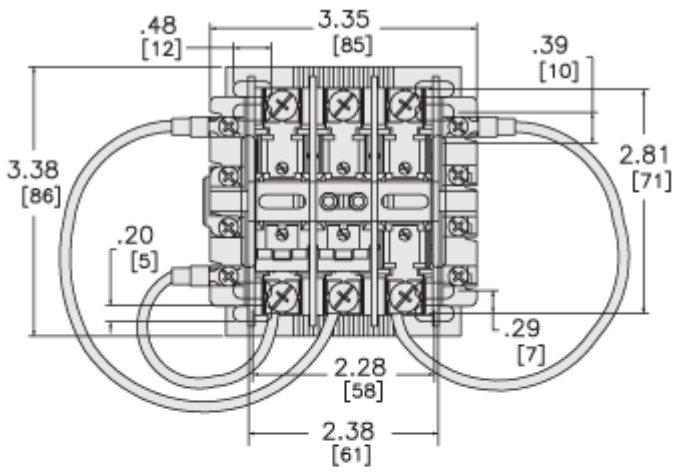


Repack and remanufacture

Circularity Profile	No need of specific recycling operations
Take-back	No
WEEE Label	 The product must be disposed on European Union markets following specific waste collection and never end up in rubbish bins.

Dimensions Drawings

Approximate Dimensions

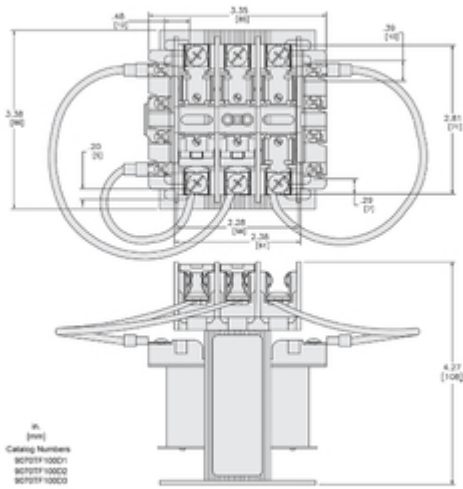


Connections and Schema

Connections and Wiring Diagrams

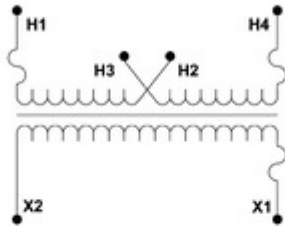
Technical Illustration

Dimensions



Technical Illustration

Wiring diagram



Options

Voltage Code	Voltages		Connections	
	Primary	Secondary	Primary	Secondary
D1	220 x 440 230 x 460 240 x 480	110 115 120	220 or 230 or 240: Connect to H1 and H4 Jumper H1 with H3 Jumper H2 with H4 440 or 460 or 480: Connect to H1 and H4 Jumper H2 with H3	Connect to X1 and X2

REFER TO TECHNICAL DOCUMENTATION FOR COMPLETE INFORMATION.