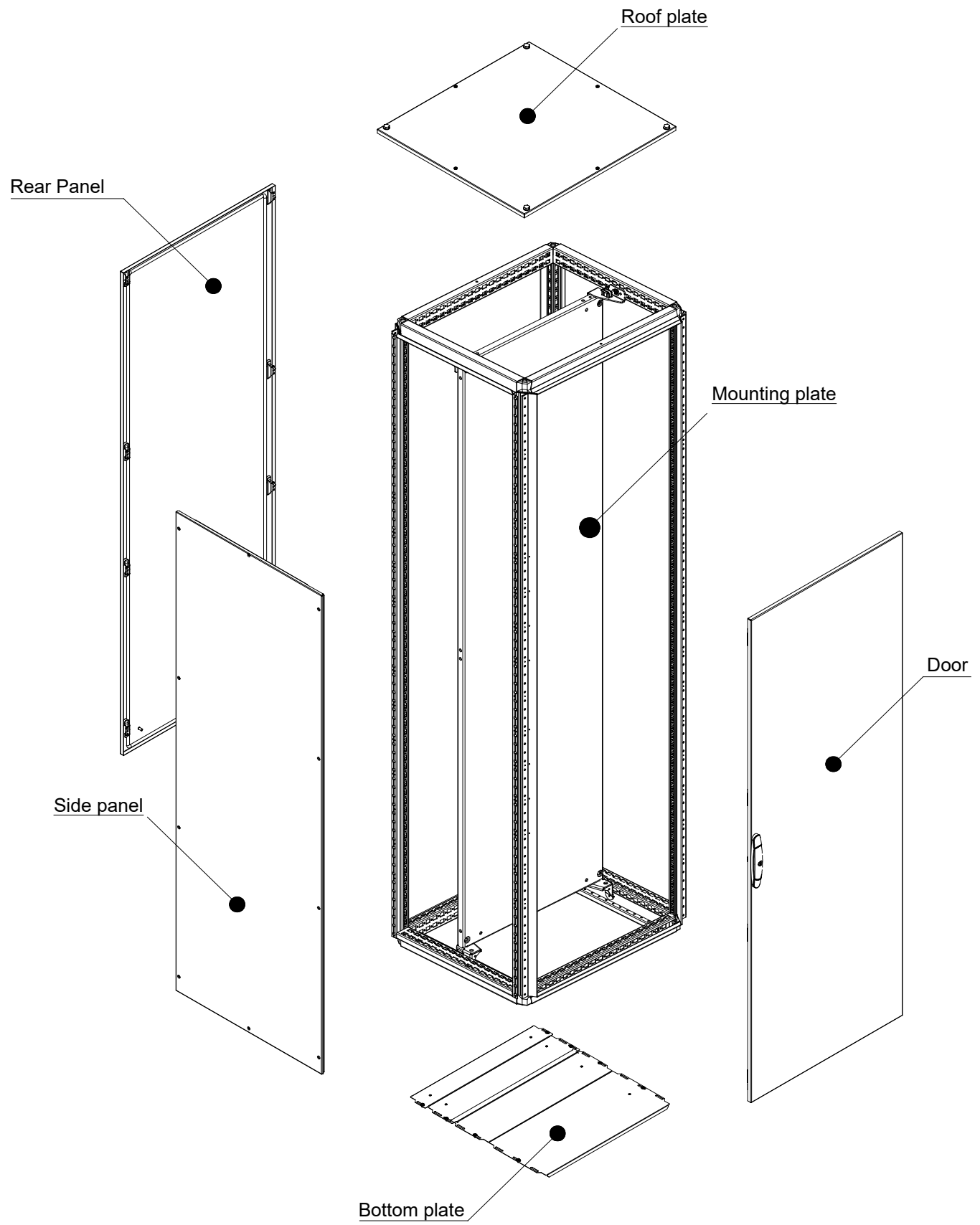


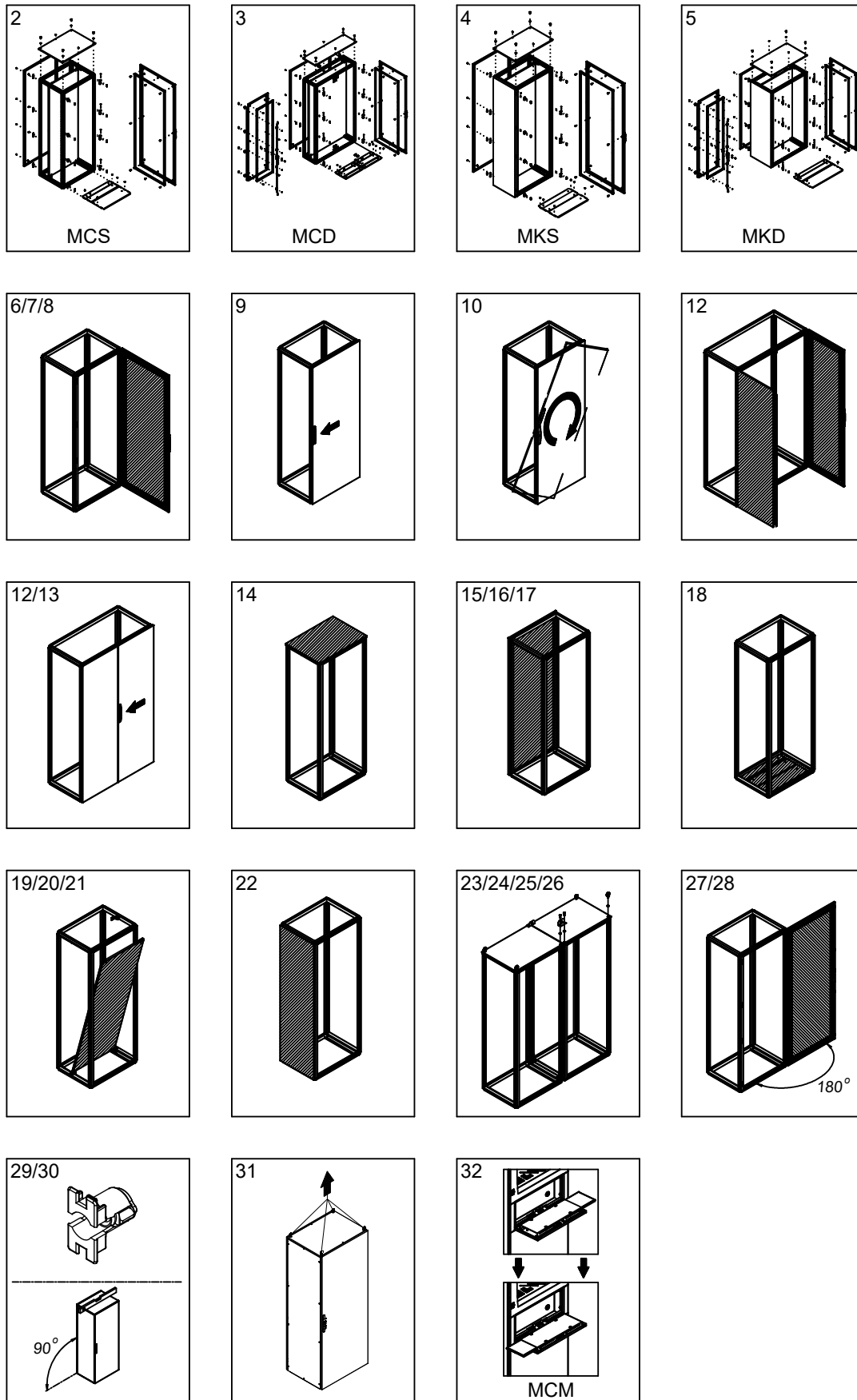
Floor standing enclosures Combinable and compact version

MOUNTING INSTRUCTIONS

7697-0262-01 REV.16



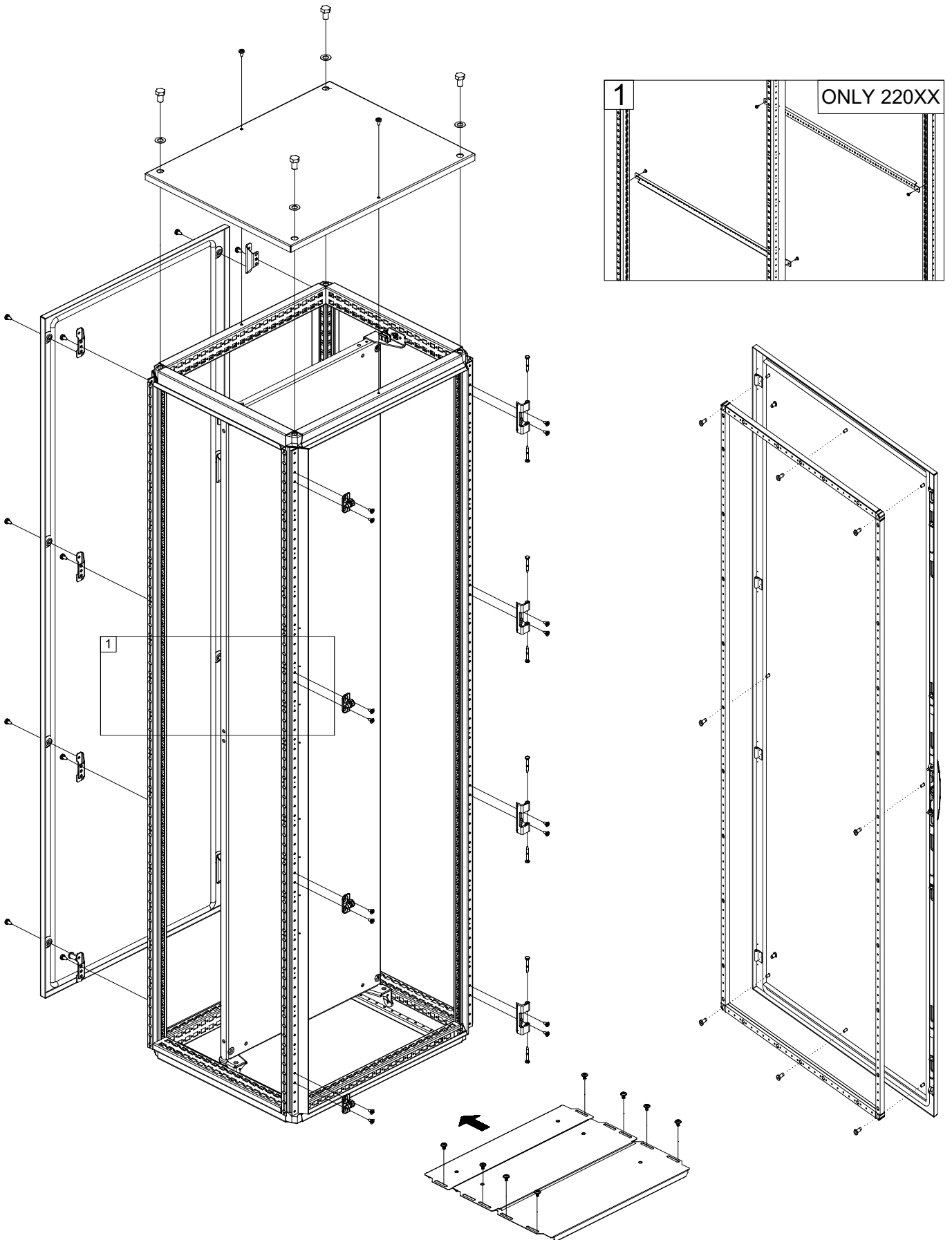




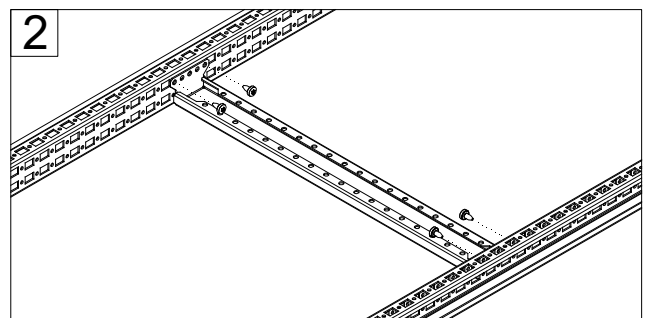
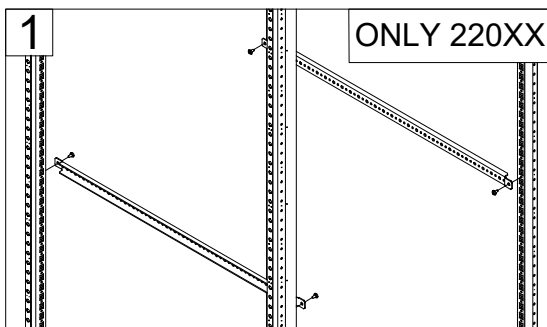
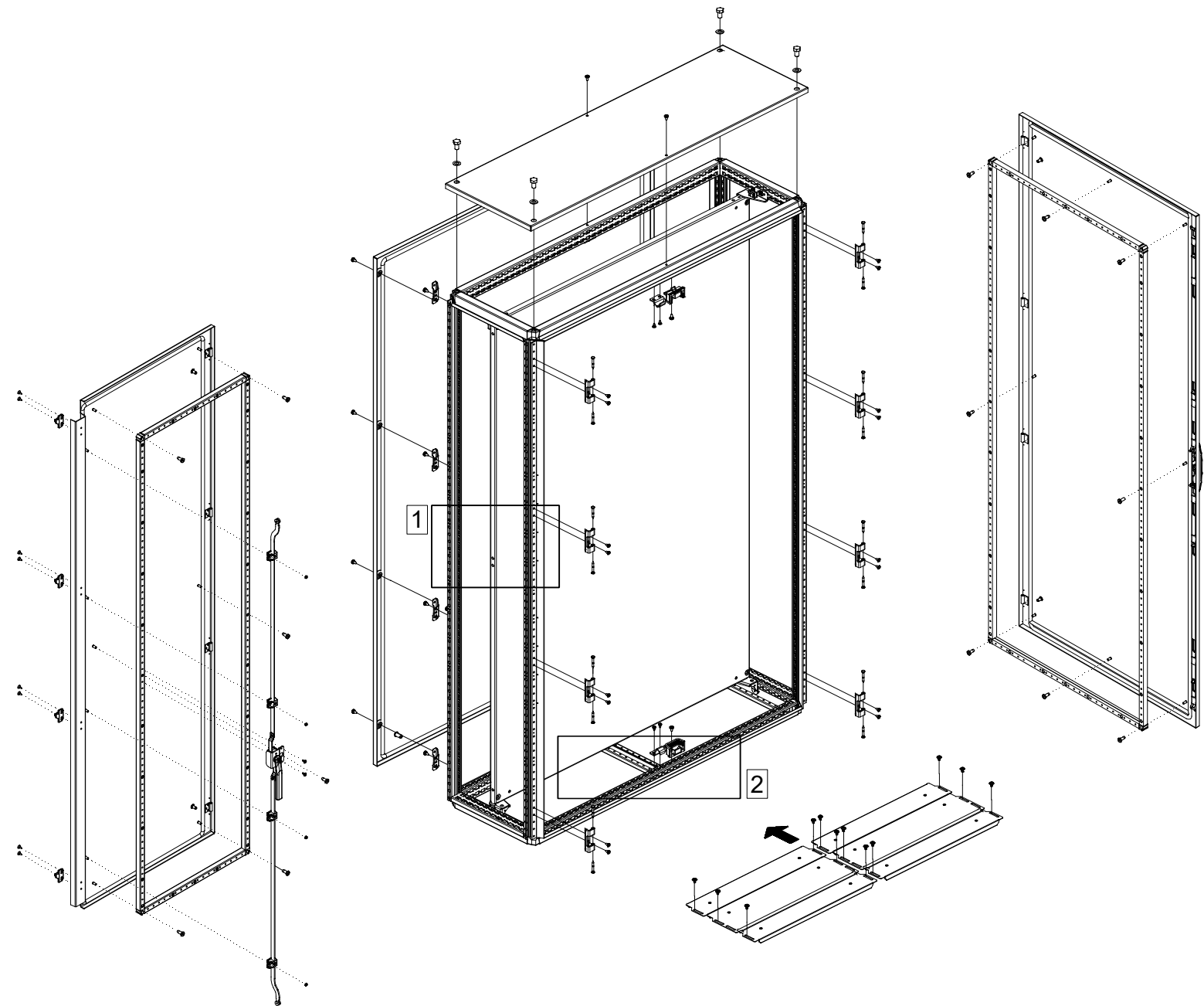
WARNING: When mounting on or over a combustible surface, a floor plate of at least 1.43 mm galvanized or 1.6 mm uncoated steel extended at least 150 mm beyond the equipment on all sides must be installed.

WARNING: In order to maintain the environmental integrity of the enclosure, devices with the same environmental ratings shall be used to close openings in customized enclosure.

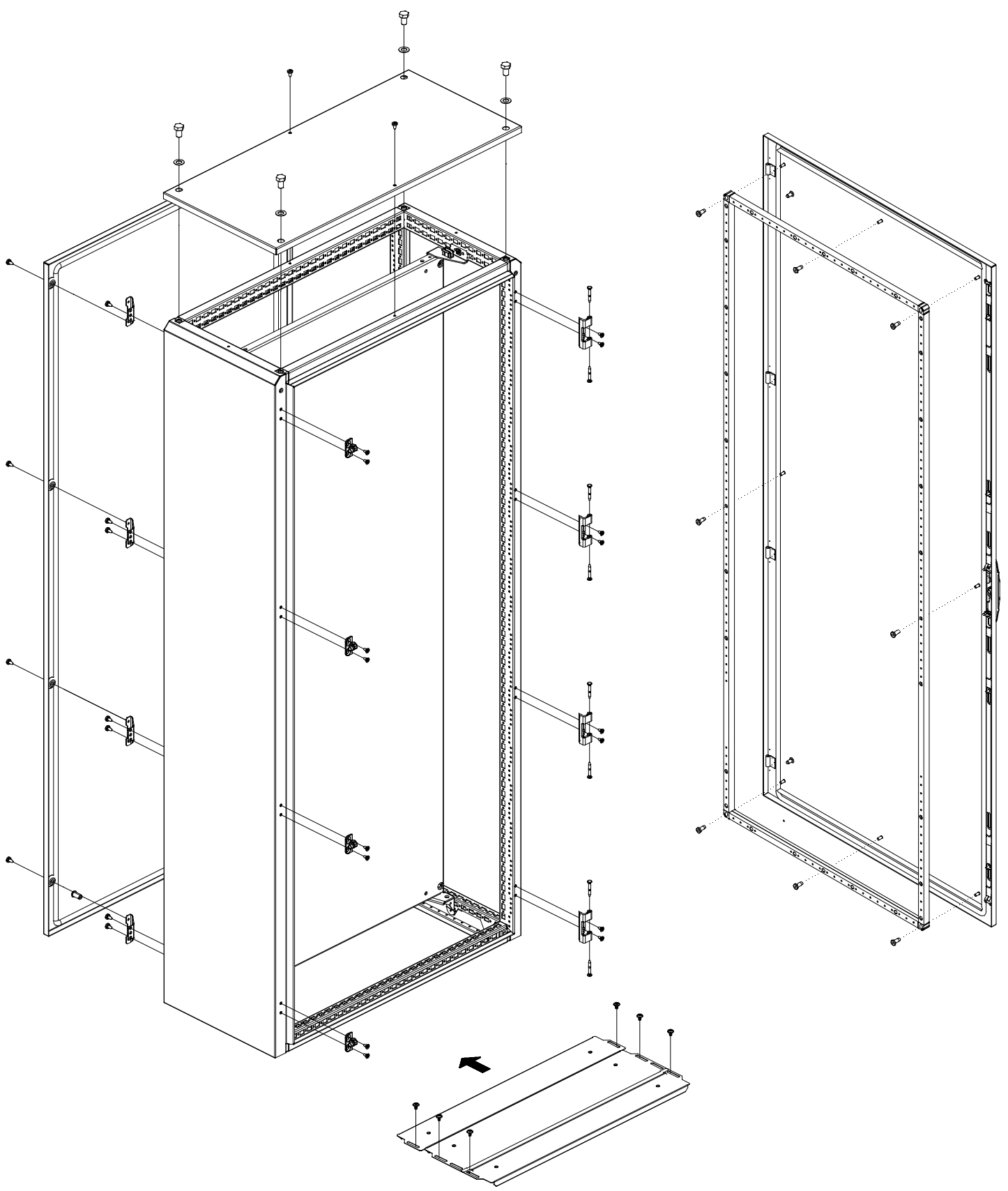
MCS



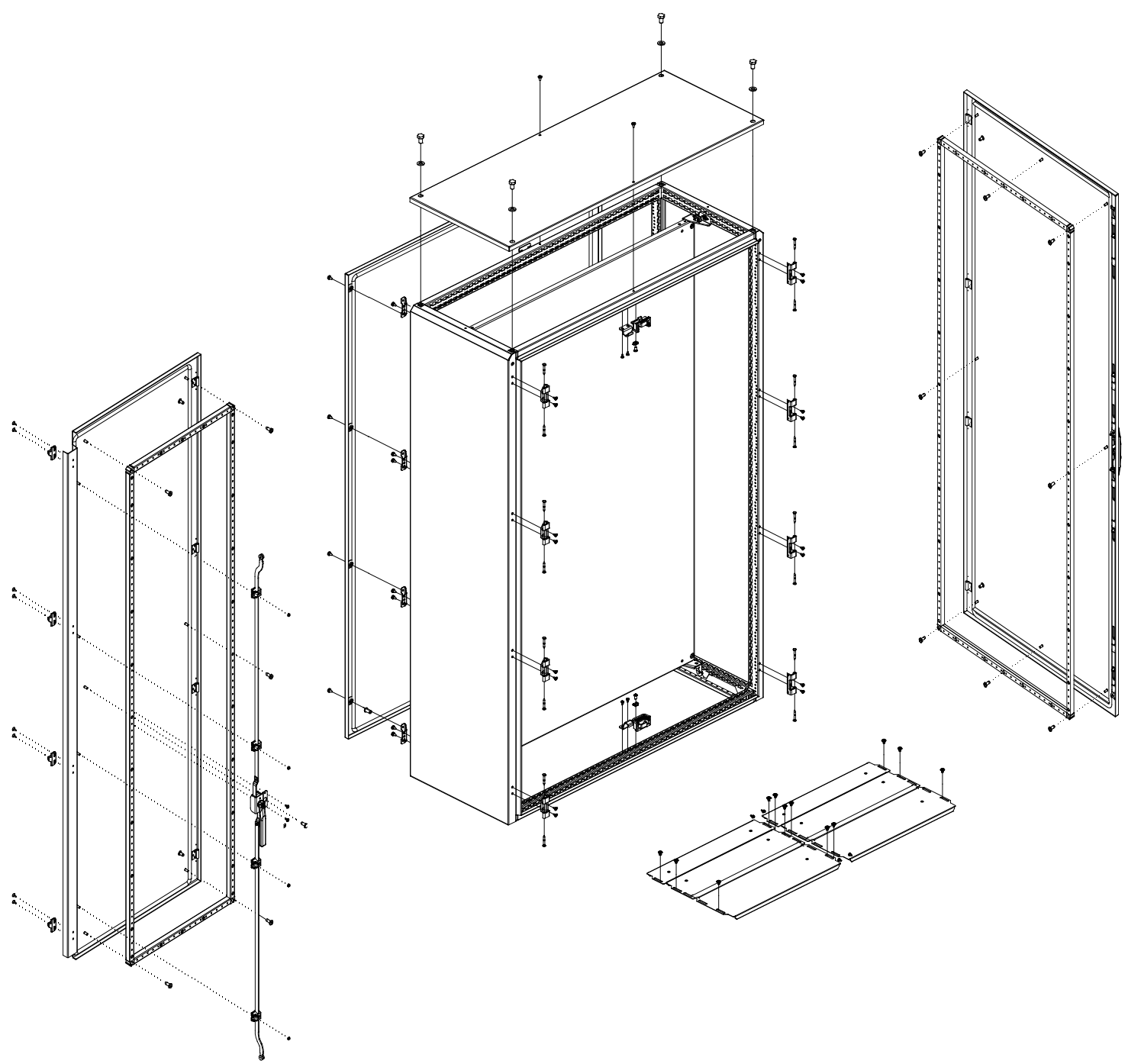
MCD



MKS



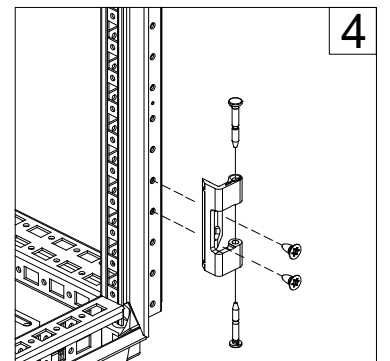
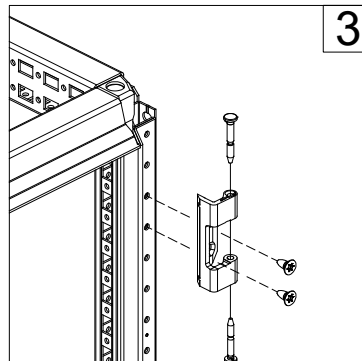
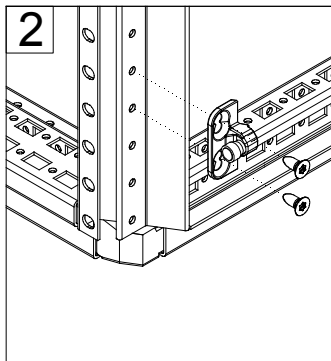
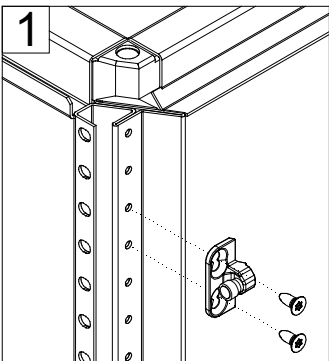
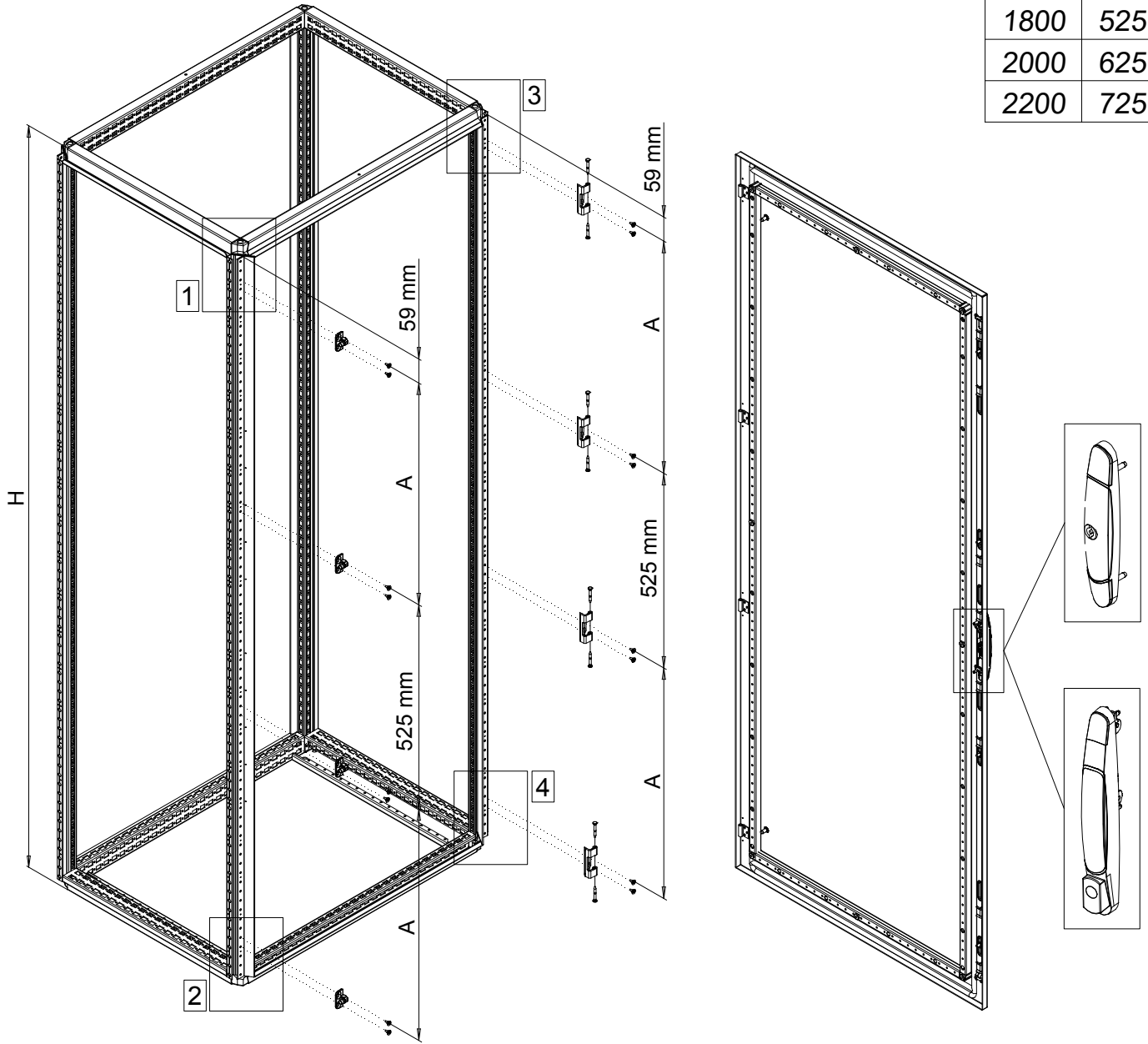
MKD



COMBINABLE ENCLOSURE



| H | A |
|------|-----|
| 1100 | 175 |
| 1400 | 325 |
| 1600 | 425 |
| 1800 | 525 |
| 2000 | 625 |
| 2200 | 725 |



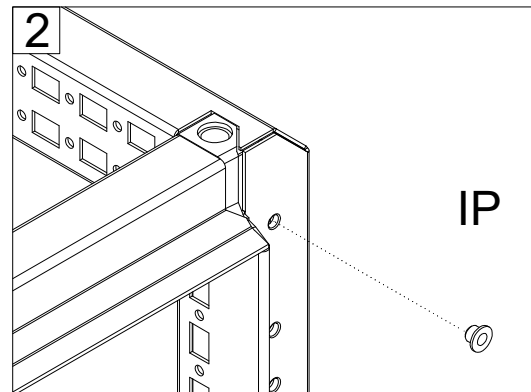
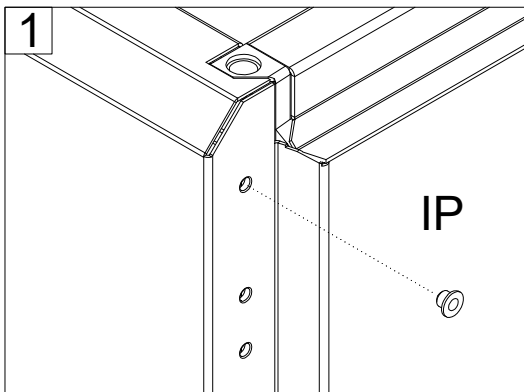
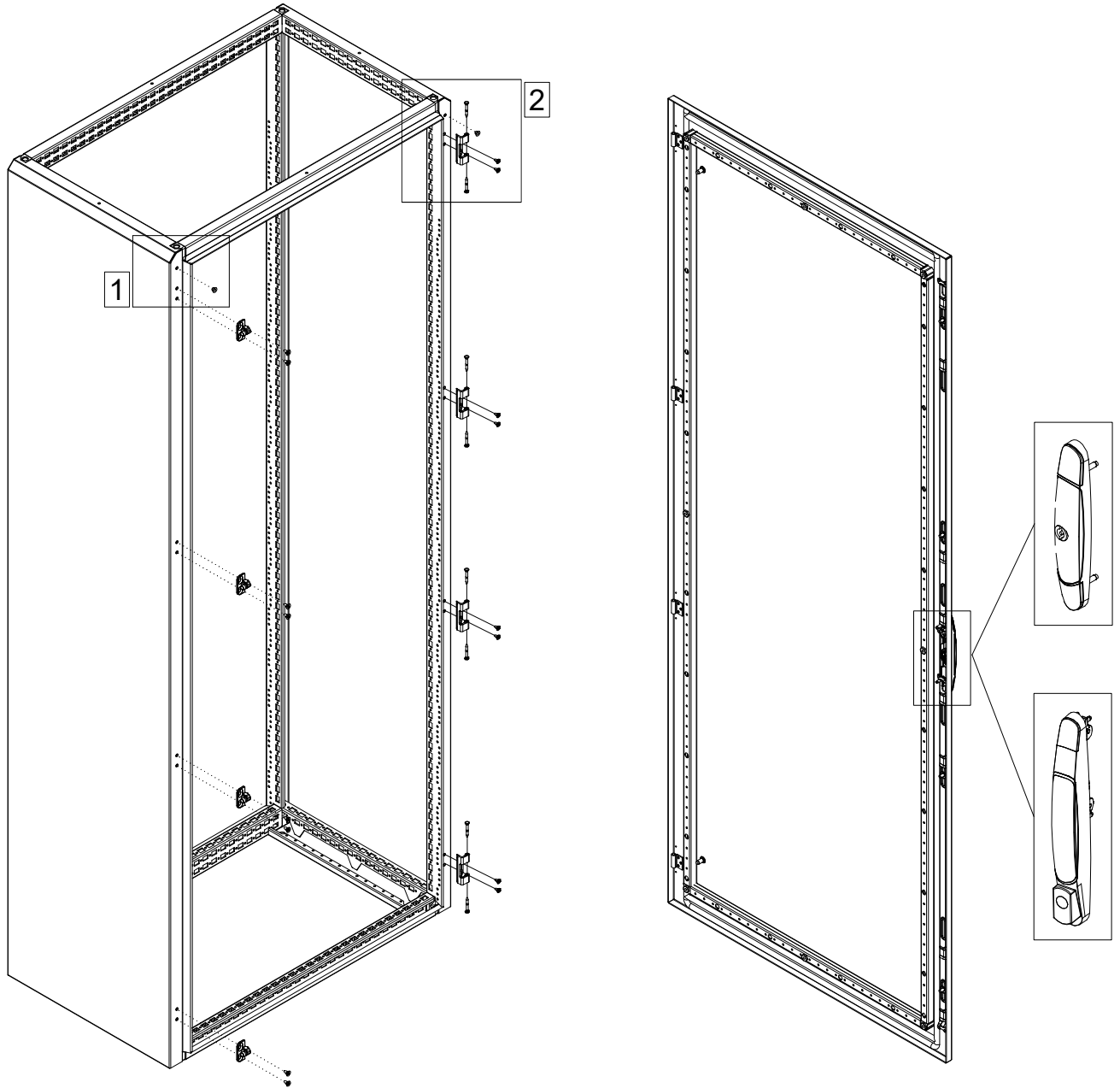


T30



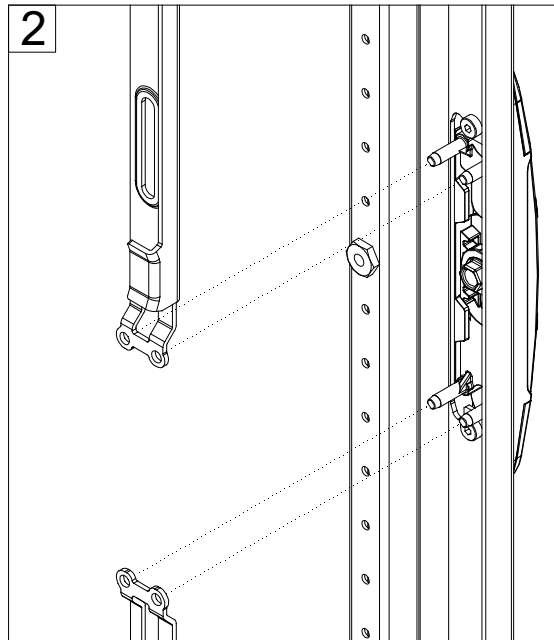
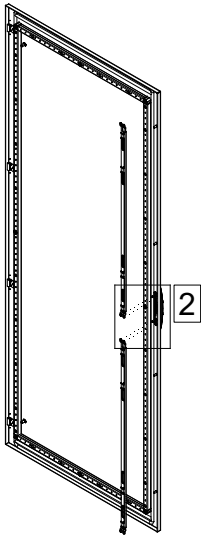
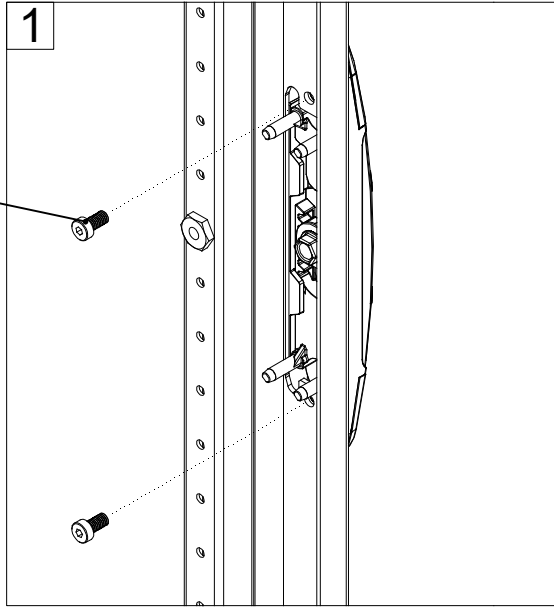
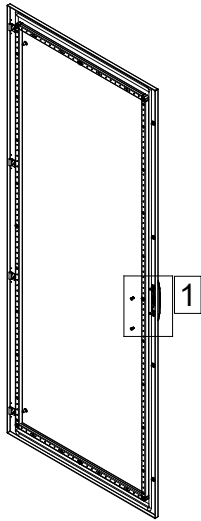
SW13

COMPACT ENCLOSURE

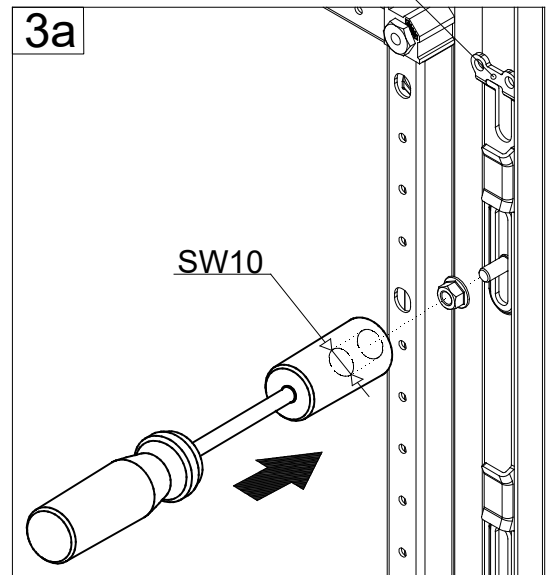
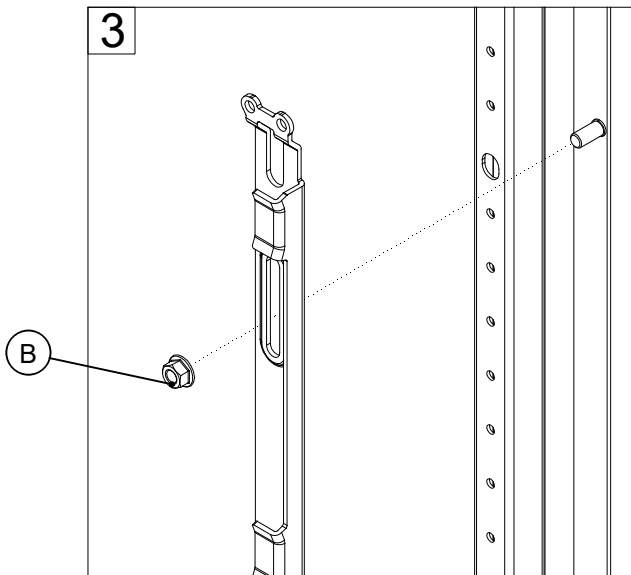
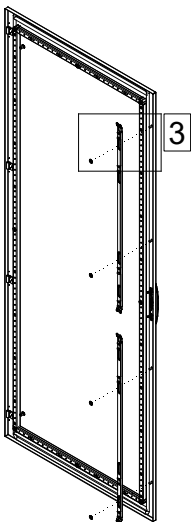




| Ref. | Pic. | Qty. |
|------|-------|------|
| A | M5x10 | 2 |
| B | M5 | 4 |

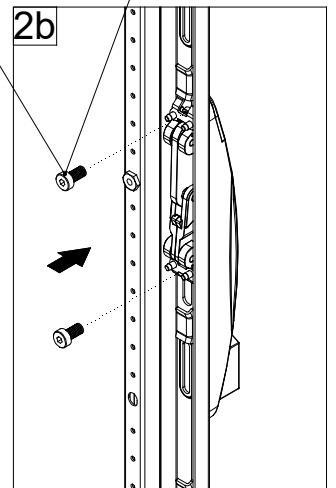
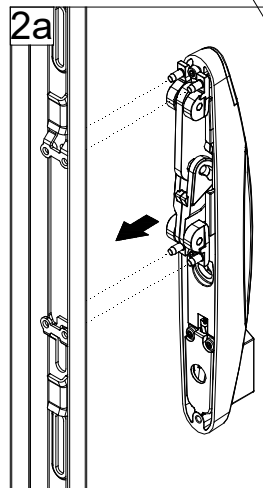
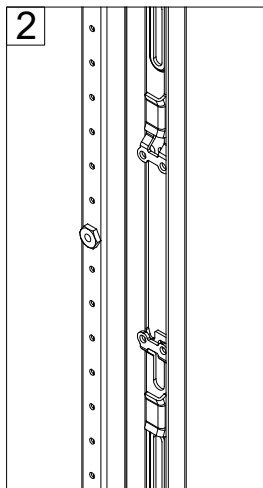
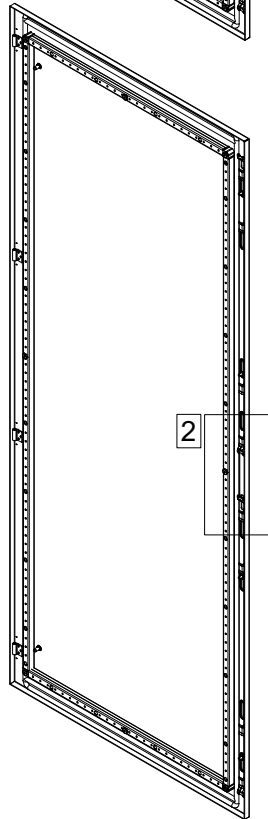
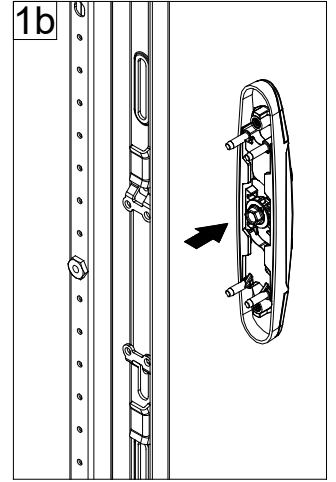
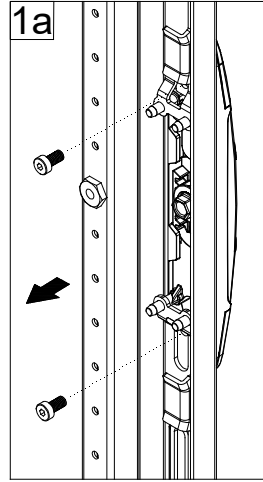
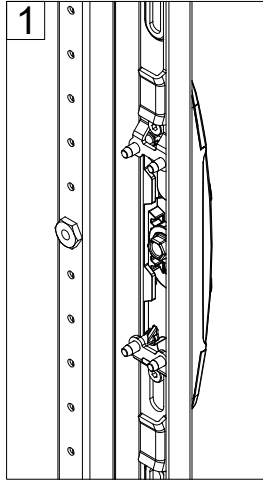
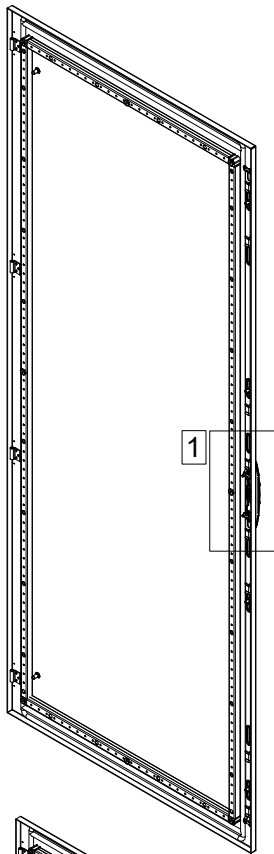


Metal Guider



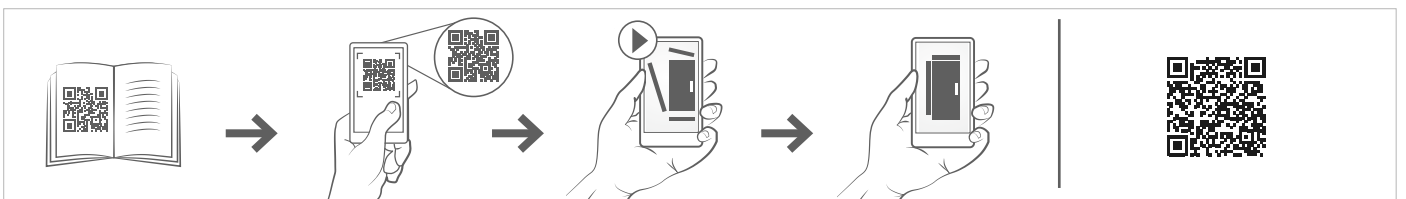


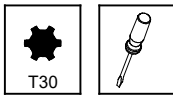
MOUNTING THE LIFT HANDLE



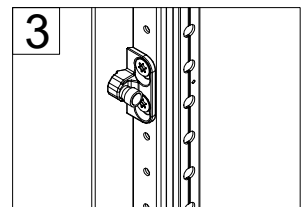
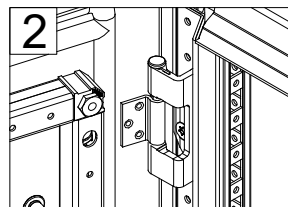
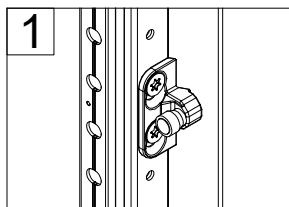
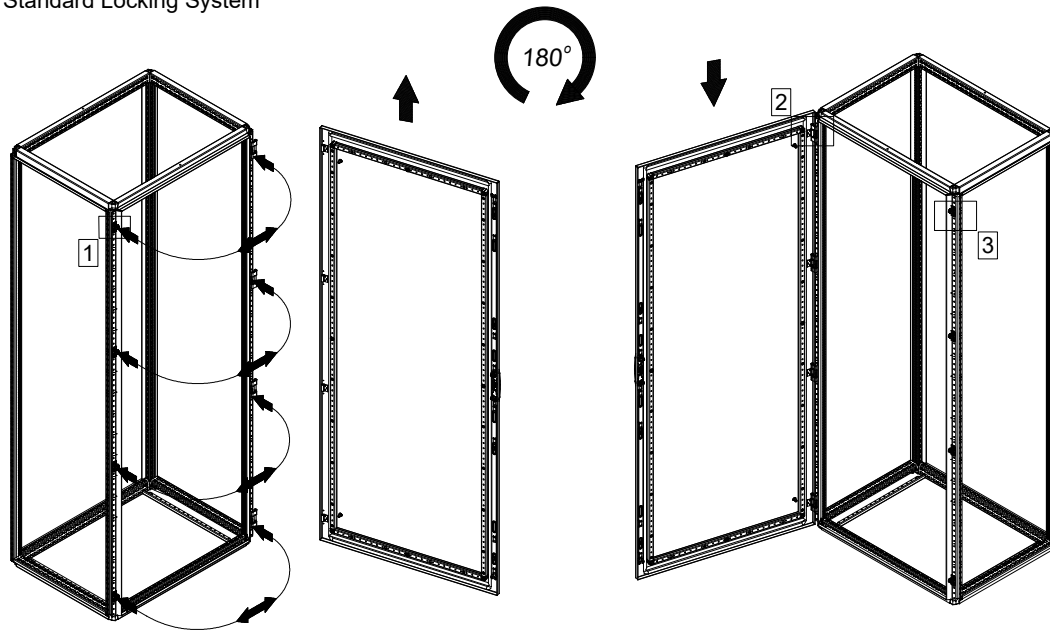
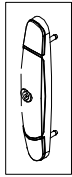
Torque
4-5.5 Nm

A

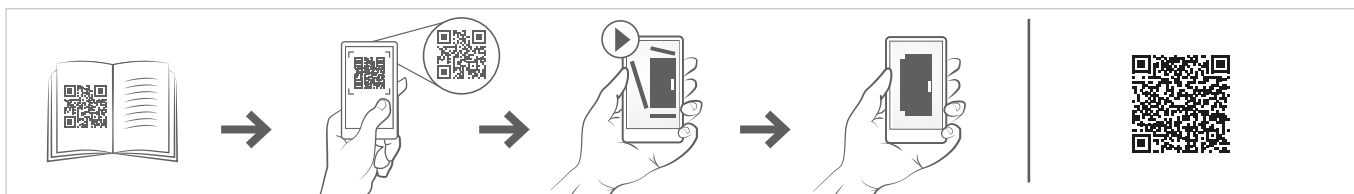
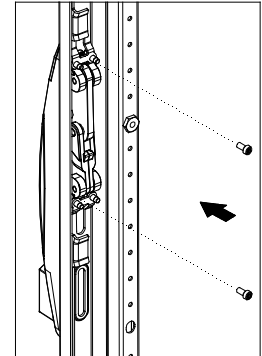
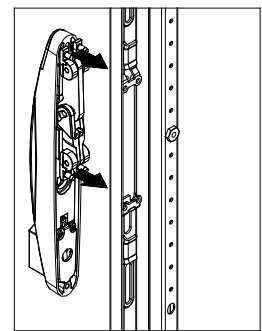
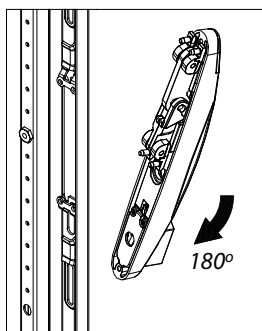
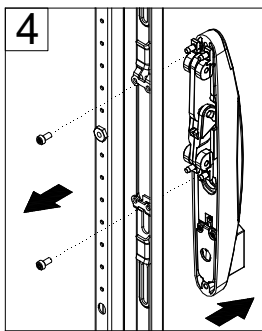
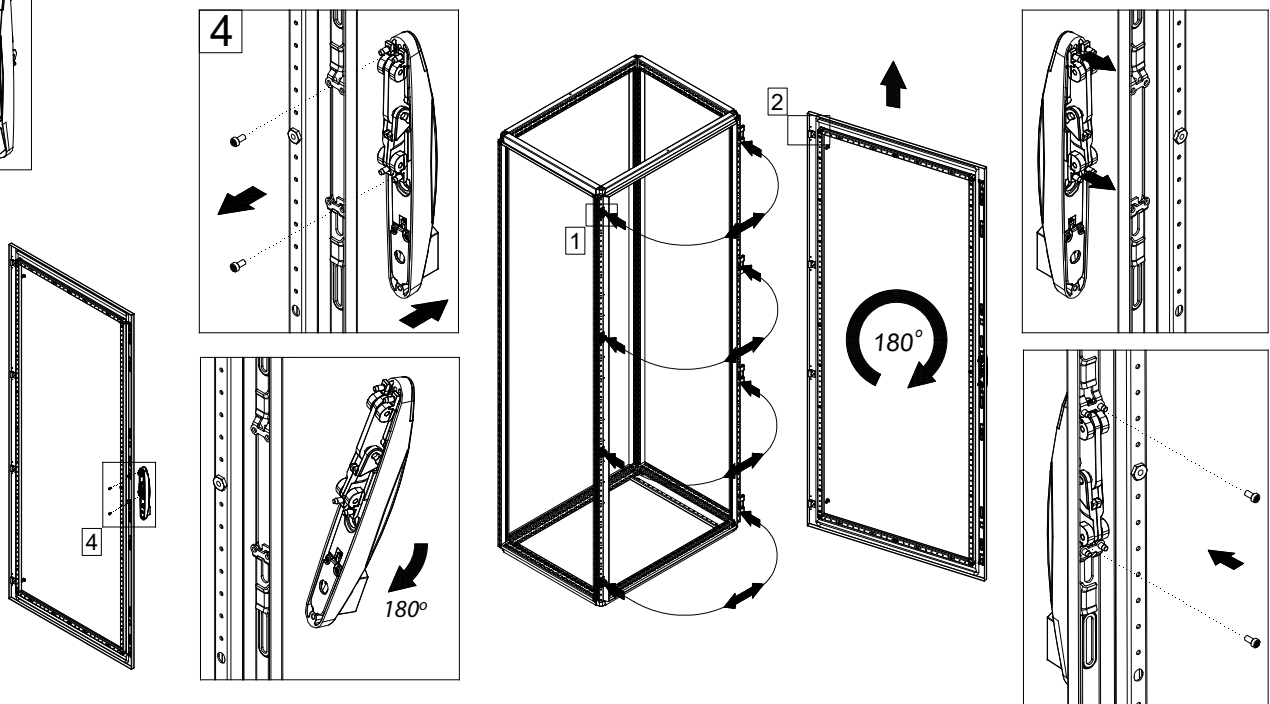
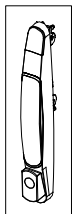




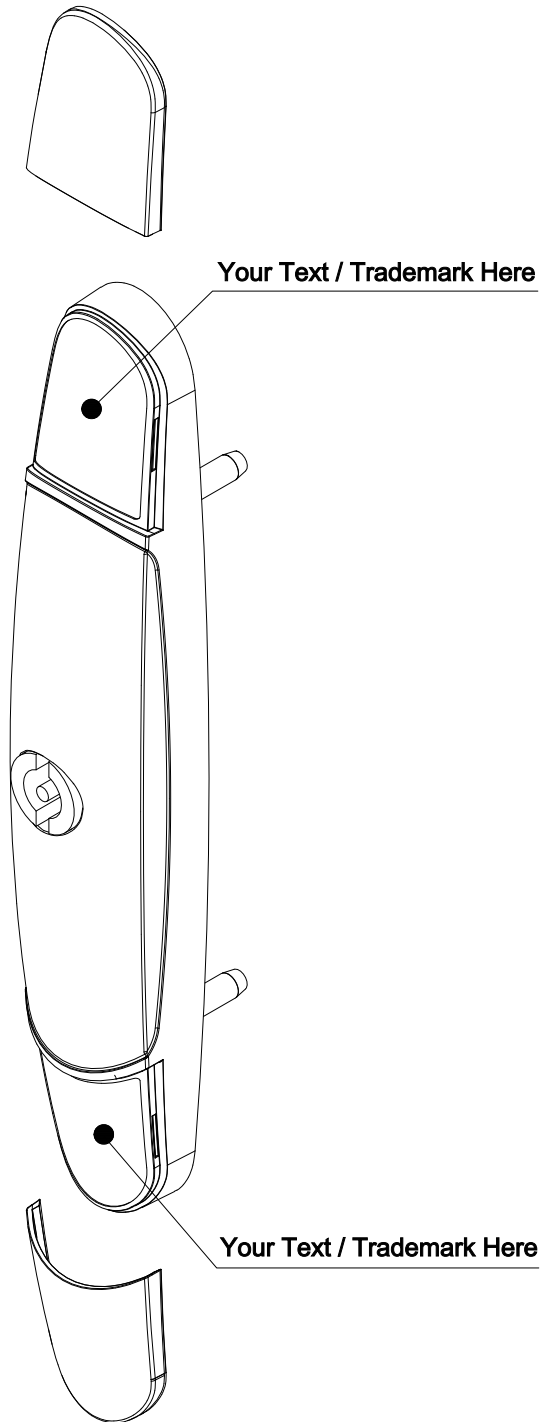
Standard Locking System



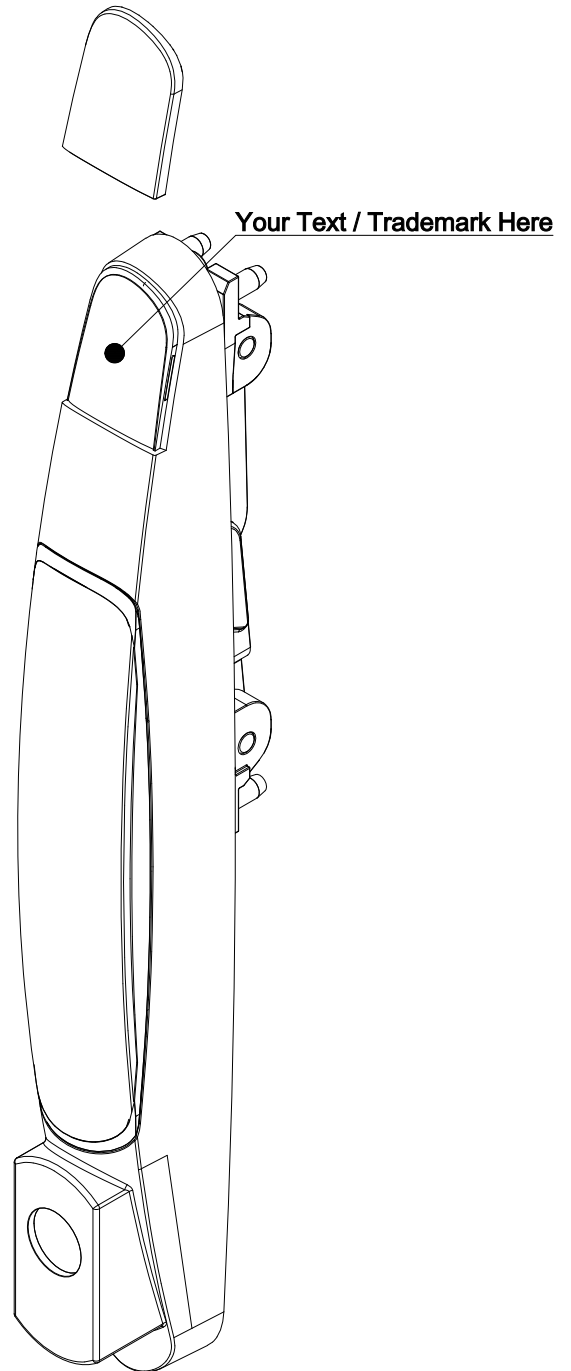
Lift Handle Locking System



Standard Locking System



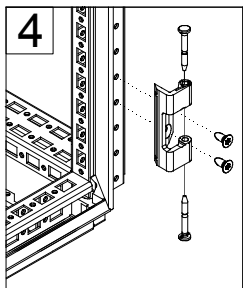
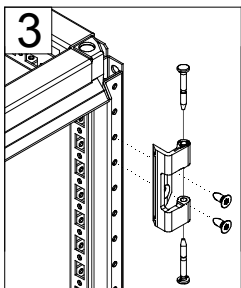
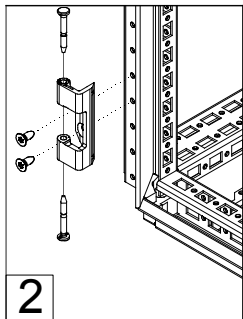
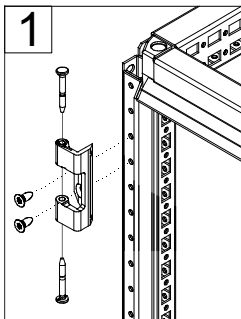
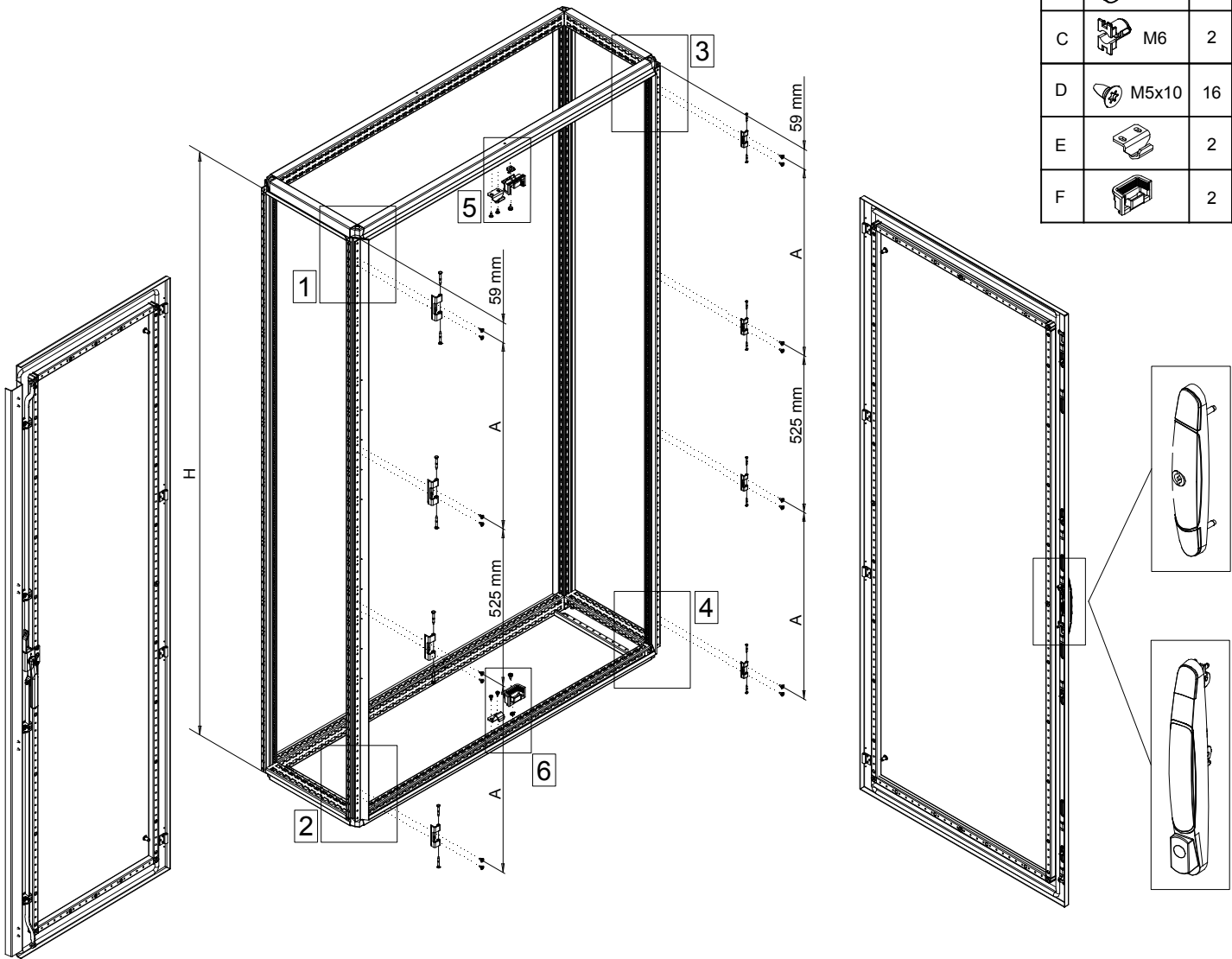
Lift Handle Locking System



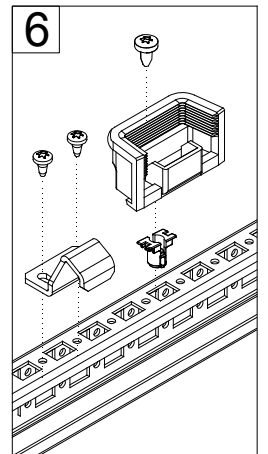
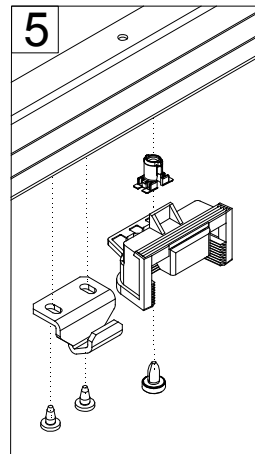
NOTE: transparent covers are ordered separately



| Ref. | Pic. | |
|------|------|----------|
| A | | M5x10 8 |
| B | | M6x10 2 |
| C | | M6 2 |
| D | | M5x10 16 |
| E | | 2 |
| F | | 2 |



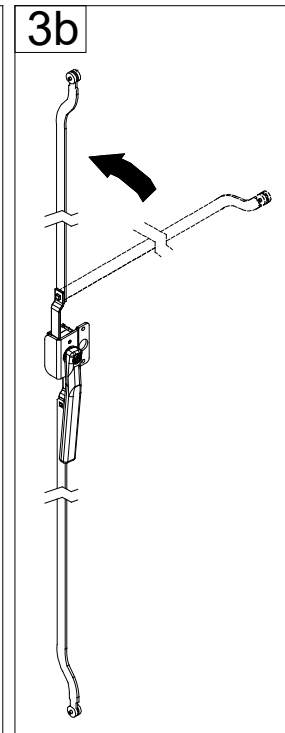
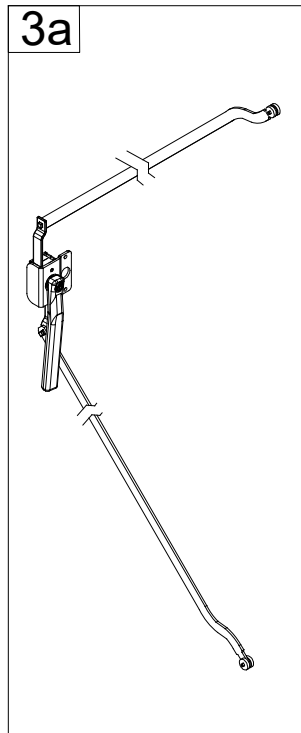
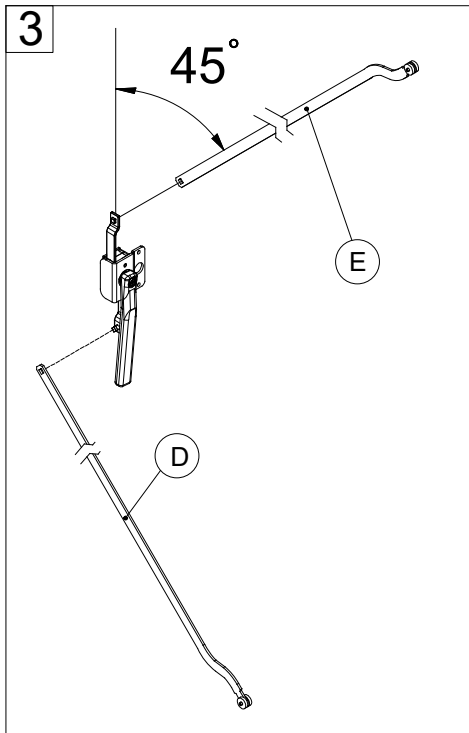
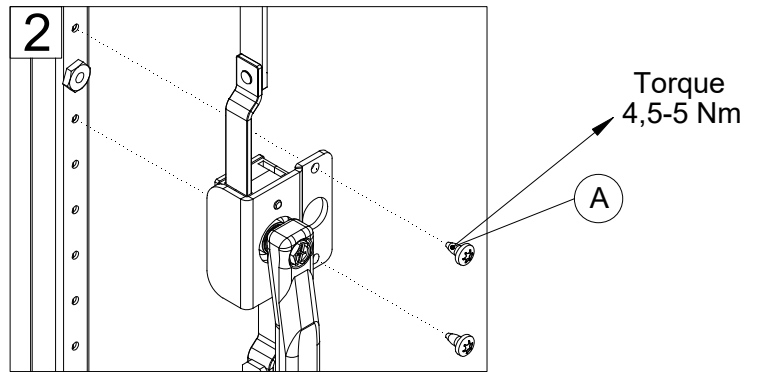
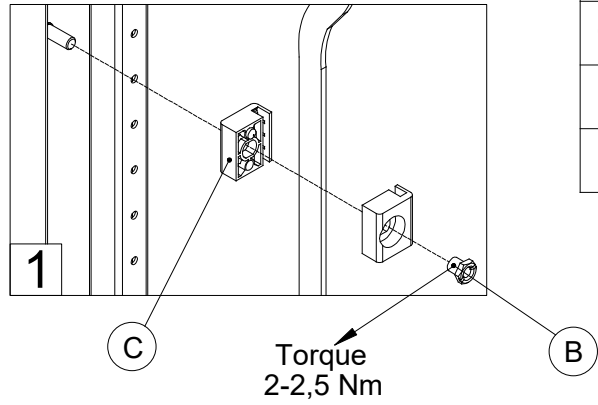
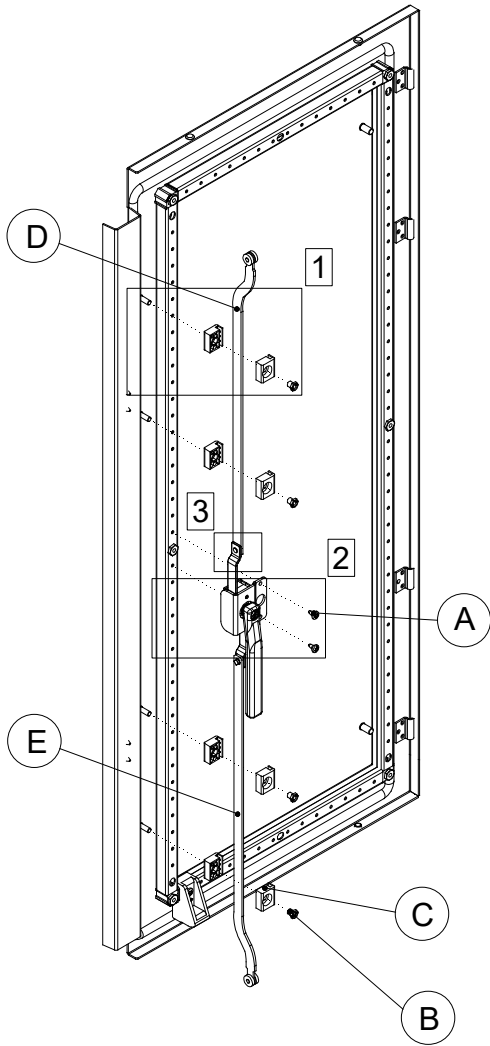
| H | A |
|------|-----|
| 1100 | 175 |
| 1400 | 325 |
| 1600 | 425 |
| 1800 | 525 |
| 2000 | 625 |
| 2200 | 725 |





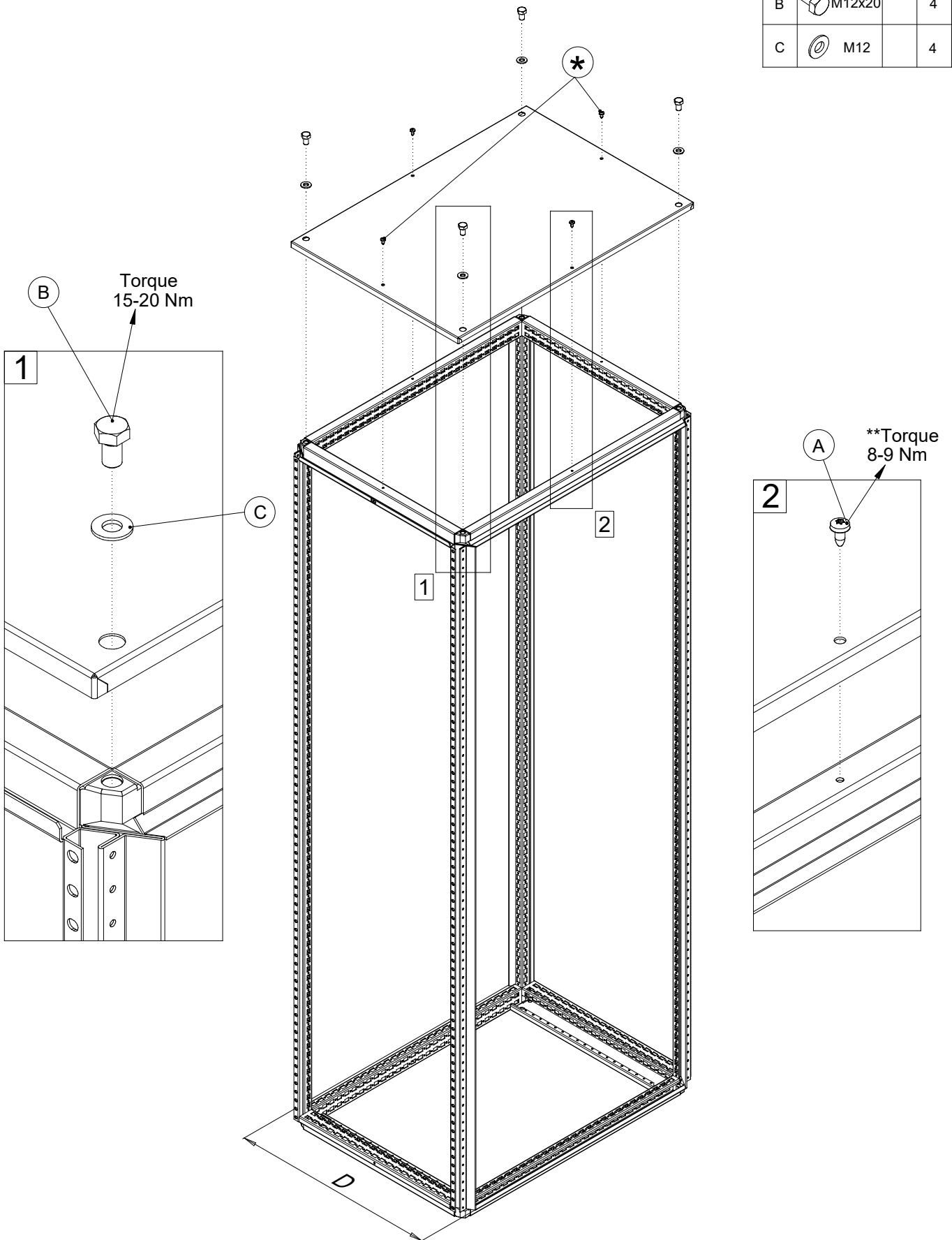
MOUNTING LSEL

| Ref. | Pic. | Qty. |
|------|------|------|
| A | | 6 |
| B | | 4 |
| C | | 8 |
| D | | 1 |
| E | | 1 |





| Ref. | Pic. | D (mm) | <800 | ≥800 |
|------|--------|--------|------|------|
| A | M6x12 | | 2 | 4 |
| B | M12x20 | | 4 | 4 |
| C | M12 | | 4 | 4 |



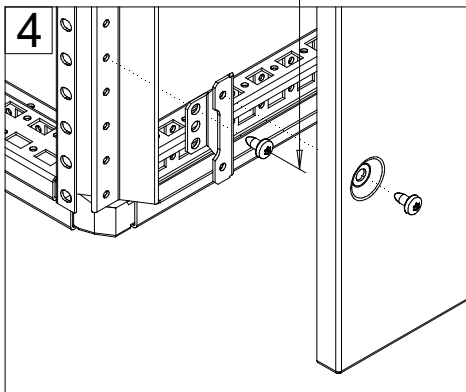
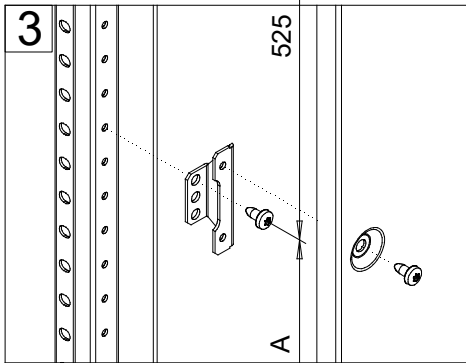
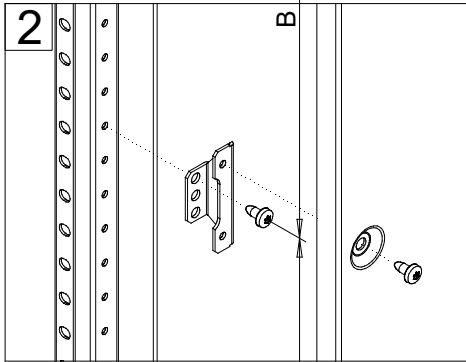
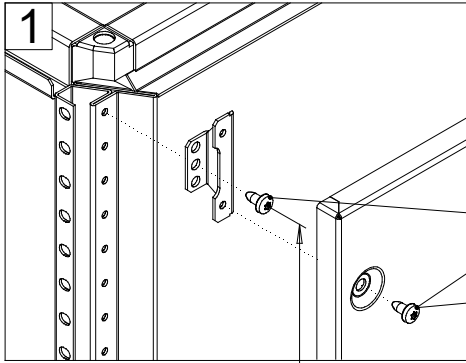
* - Used on enclosures 800mm deep and above.

** - Torque value for first tightening. For following tightening, torque value recommended is 4-5 Nm.

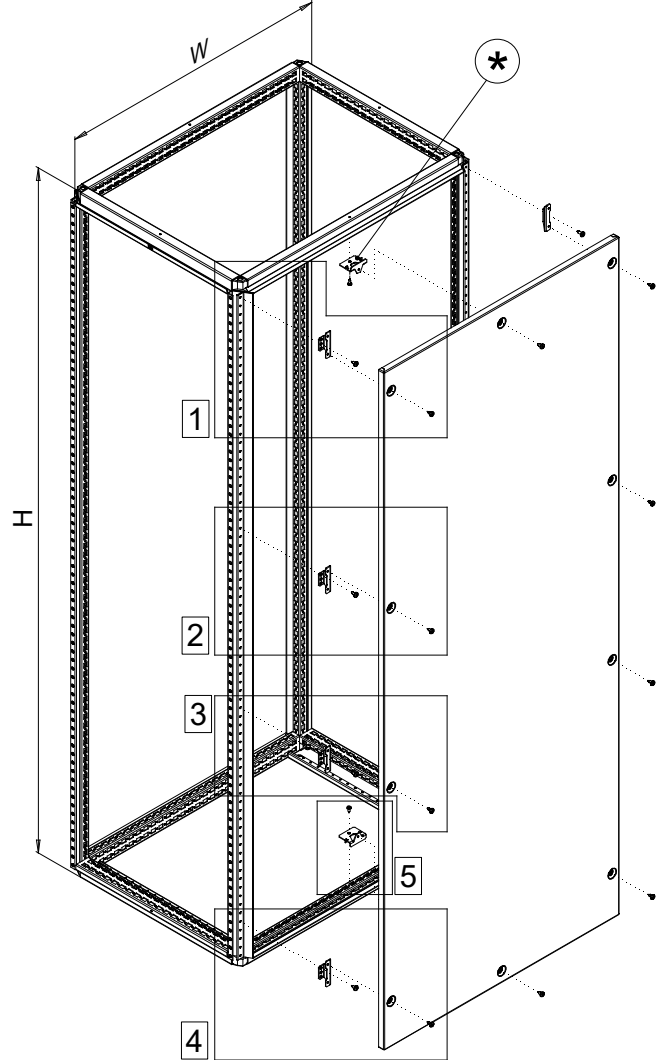
MCS BACK PANEL



| Ref. | Pic. | W (mm) | <1000 | ≥1000 |
|------|-------|--------|-------|-------|
| A | M5x10 | | - | 2 |
| B | M6x12 | 16 | 18 | |

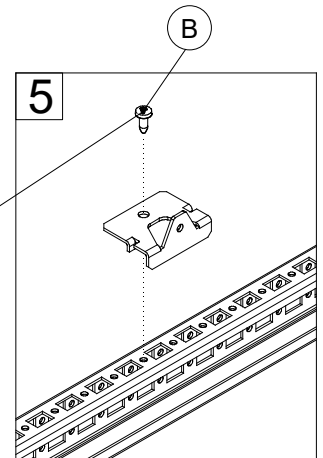


Torque
4-5 Nm



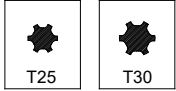
| H | A | B |
|------|-----|-----|
| 1100 | - | 350 |
| 1400 | 325 | 375 |
| 1600 | 425 | 475 |
| 1800 | 525 | 575 |
| 2000 | 625 | 675 |
| 2200 | 725 | 775 |

Torque
4-5 Nm

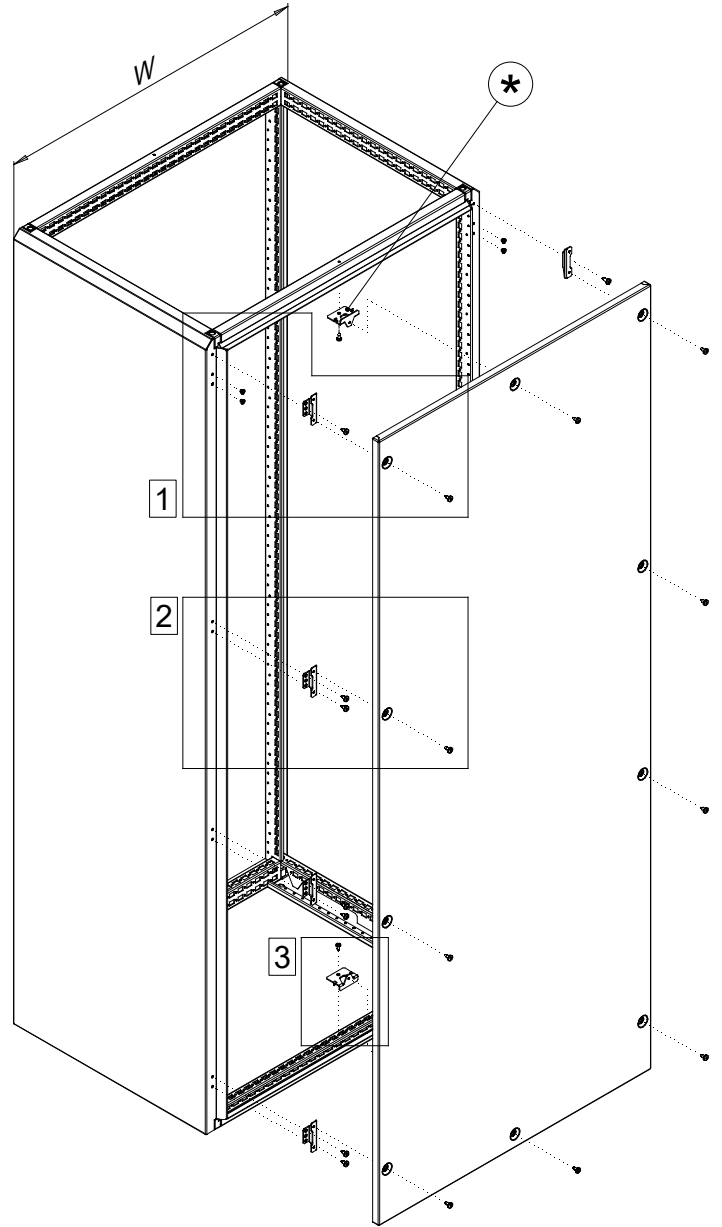
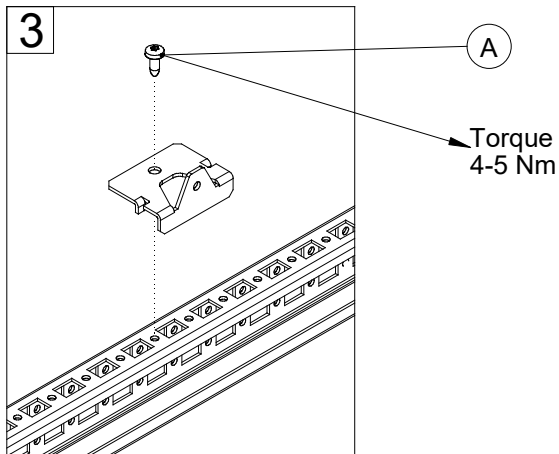
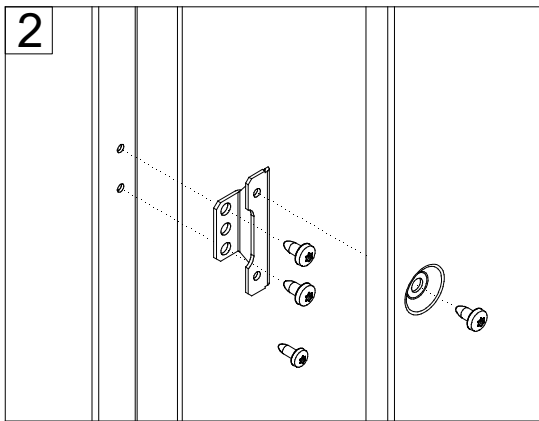
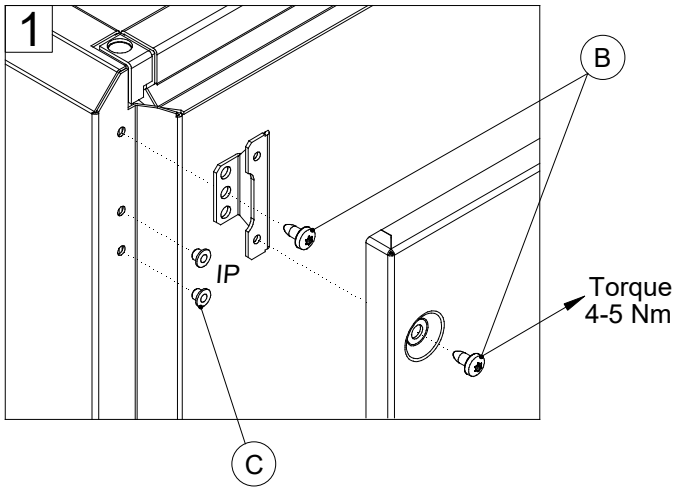


* - Used on enclosures 1000mm wide and above.

MKS BACK PANEL



| Ref. | Pic. | W (mm) | <1000 | ≥1000 |
|------|------|--------|-------|-------|
| A | | M5x10 | - | 2 |
| B | | M6x12 | 22 | 24 |
| C | | | 4 | 4 |

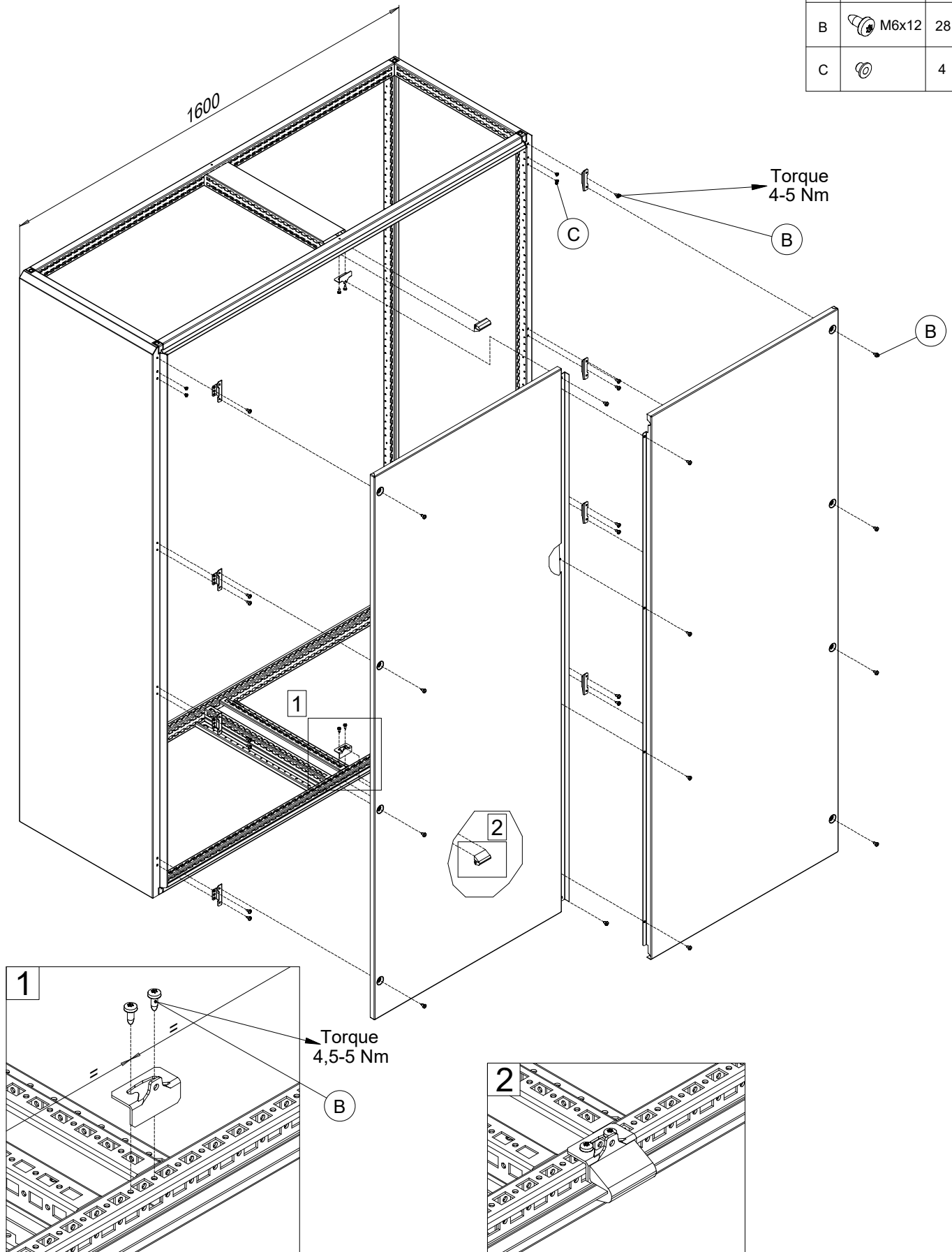


* - Used on enclosures 1000mm and 1200mm wide.



MKD BACK PANELS

| Ref. | Pic. | Qty. |
|------|------|------|
| A | | 4 |
| B | | 28 |
| C | | 4 |

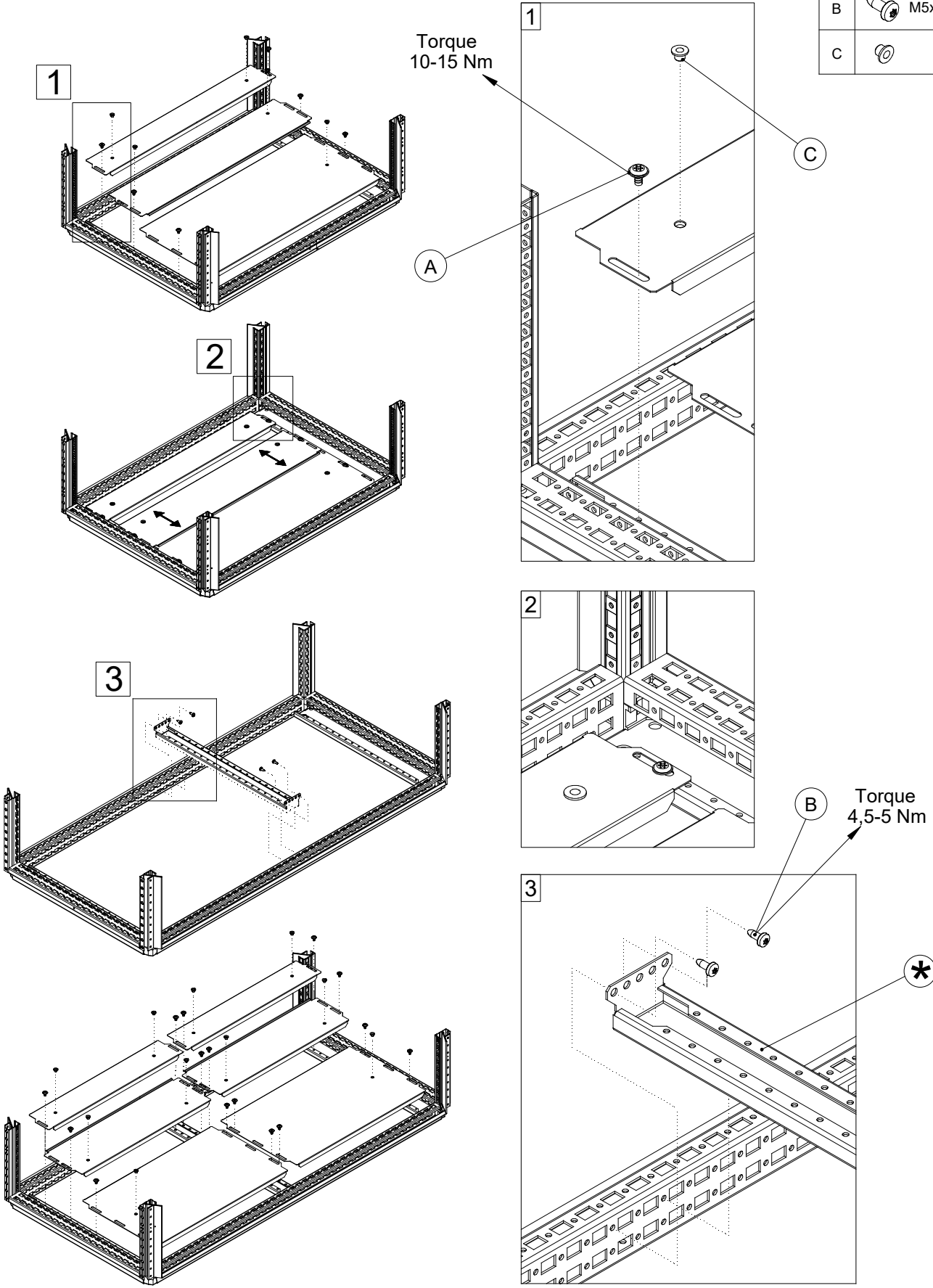




T25

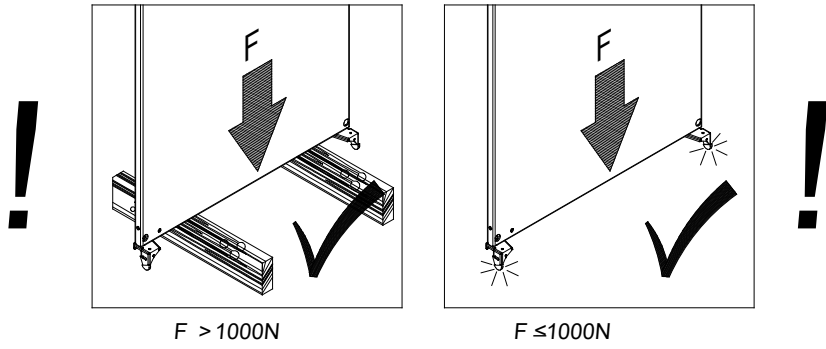
BOTTOM PLATE

| Ref. | Pic. | Qty. |
|------|------------|-----------|
| A | St. 5.5x10 | 6/8/12/16 |
| B | M5x10 | 4 |
| C | 5/7/10/14 | |

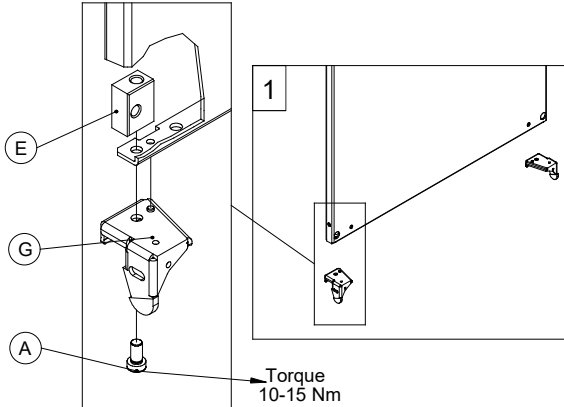




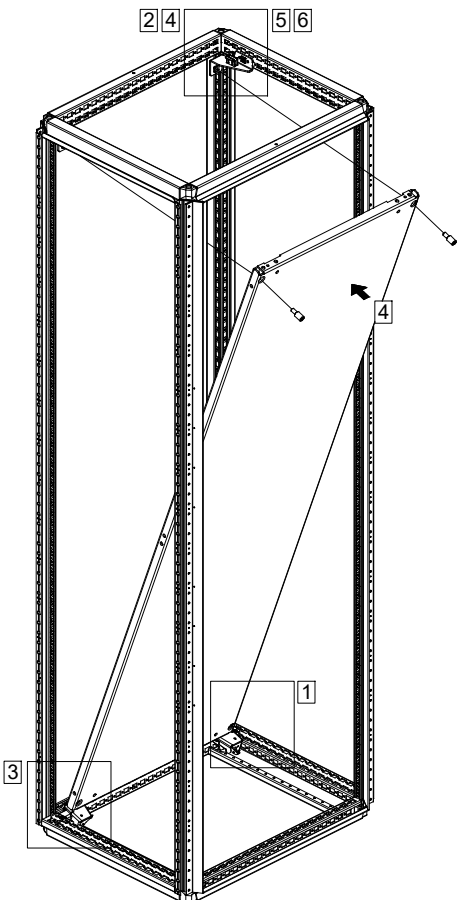
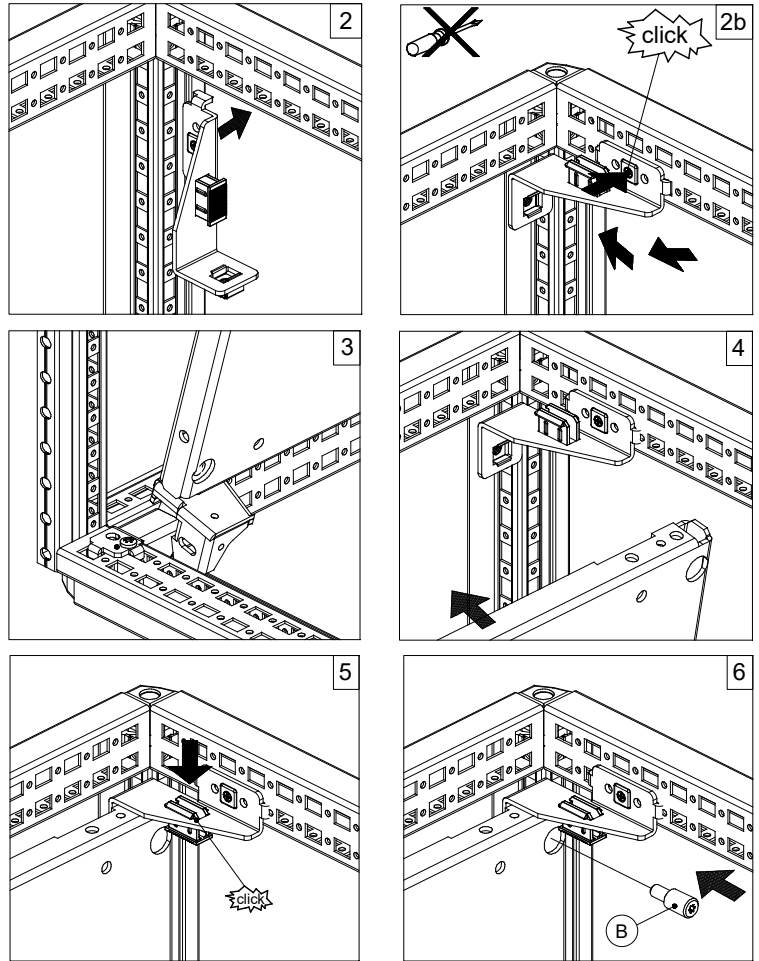
MOUNTING PLATE



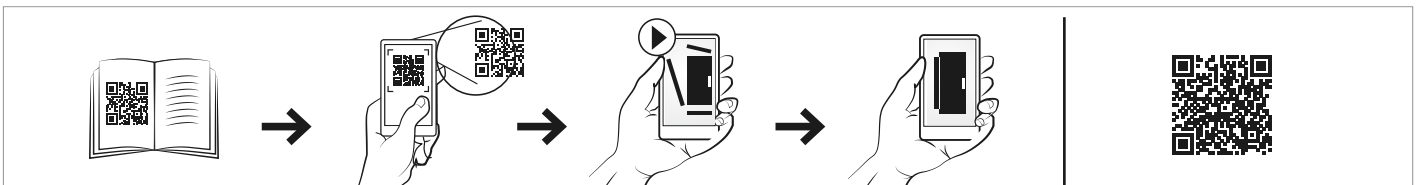
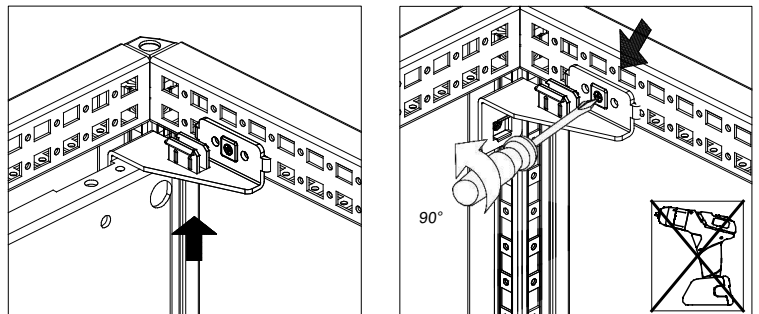
| Ref. | Pic. | Qty. |
|------|--------------|------|
| A | M8x16 | 2 |
| B | M8x16 | 2 |
| C | | 2 |
| D | Bottom right | 1 |
| E | Bottom left | 1 |
| F | Top right | 1 |
| G | Top left | 1 |





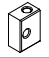
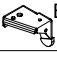

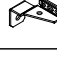


MOUNTING

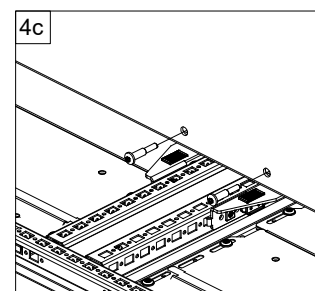
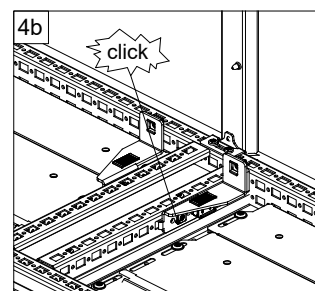
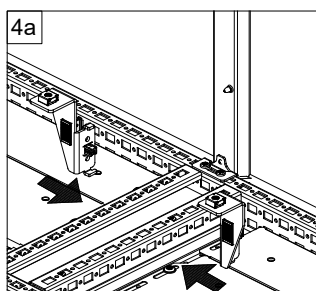
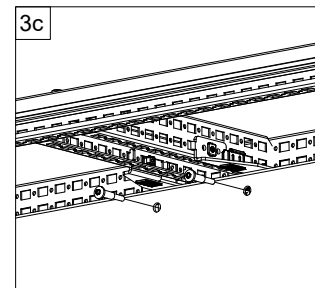
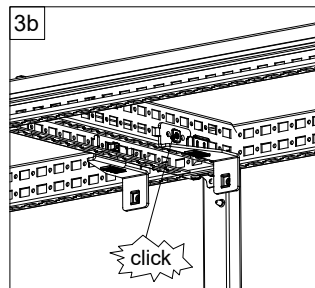
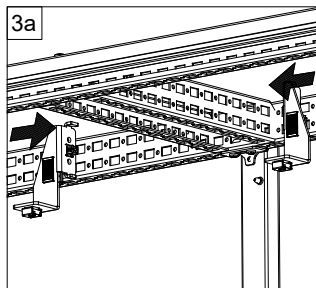
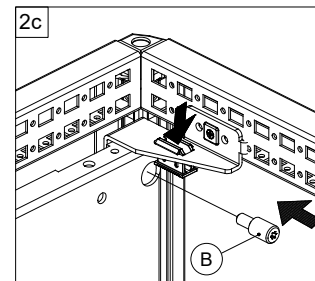
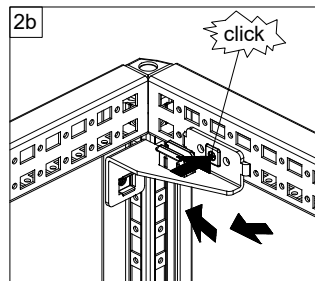
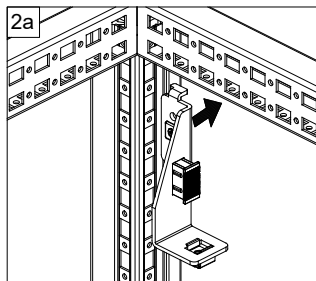
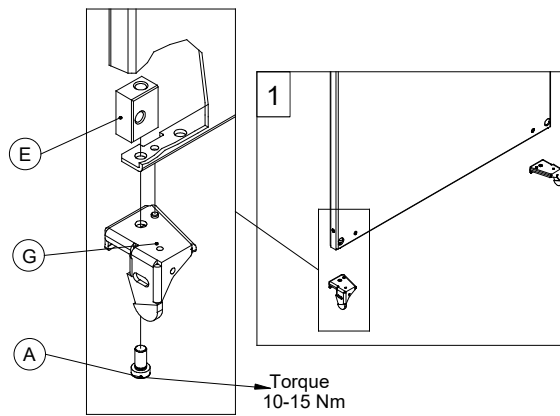
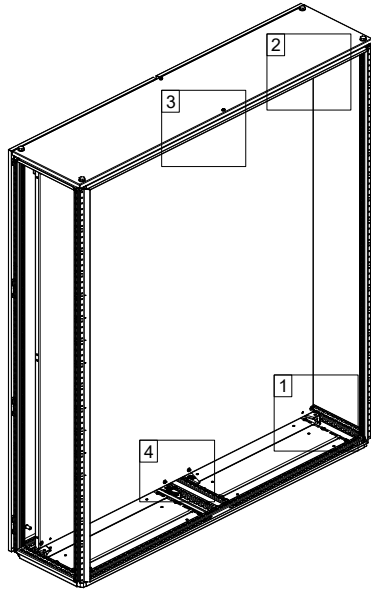
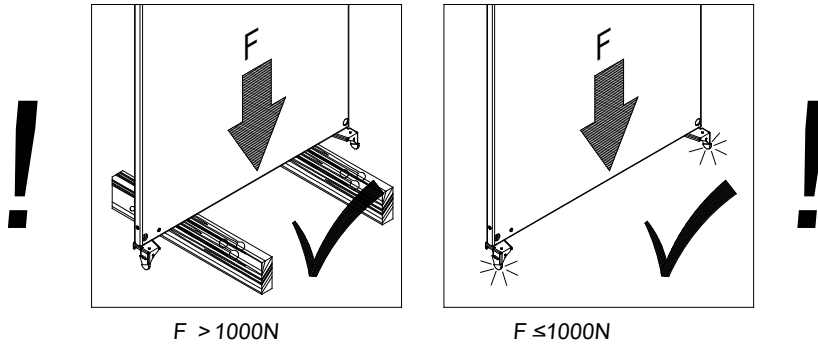


UNMOUNTING



MOUNTING PLATE 1600 WIDE

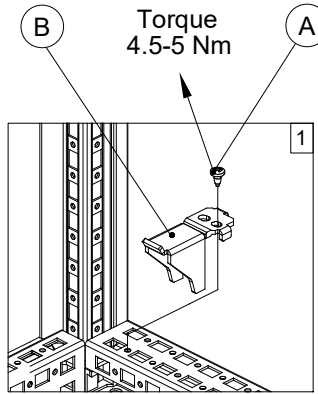
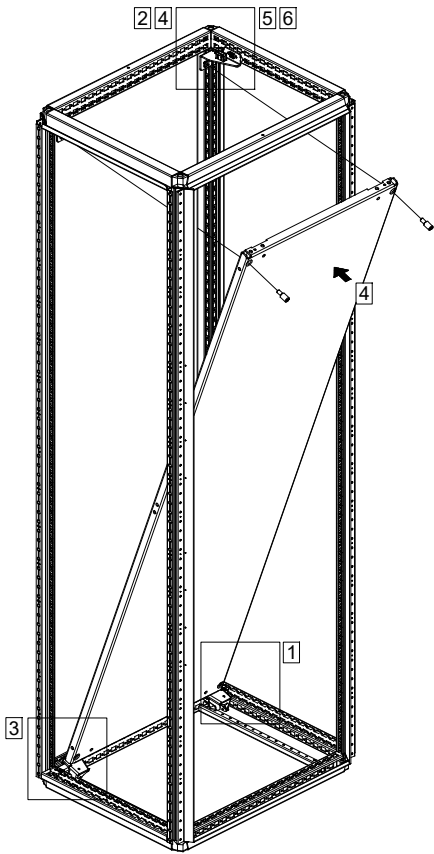
| Ref. | Pic. | Qty. |
|------|--|------|
| A |  M8x16 | 2 |
| B |  M8x16 | 2 |
| C |  | 2 |
| D |  Bottom right | 1 |
| E |  Bottom left | 1 |
| F |  Top right | 3 |
| G |  Top left | 3 |
| H |  M8x40 | 4 |



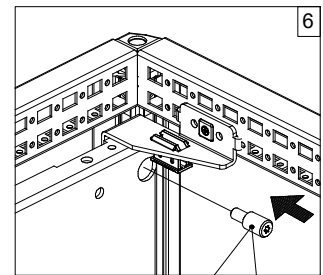
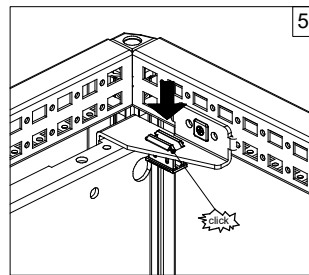
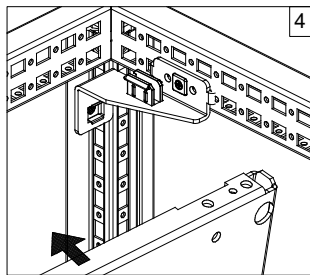
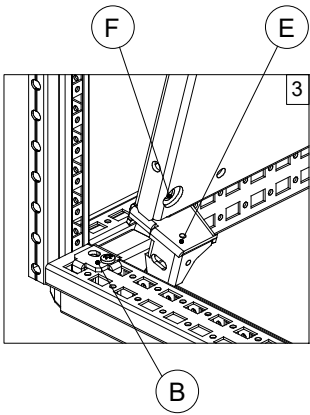
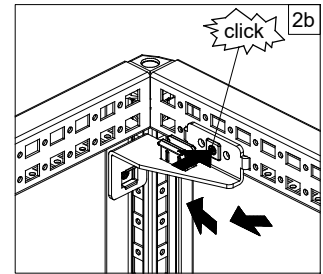
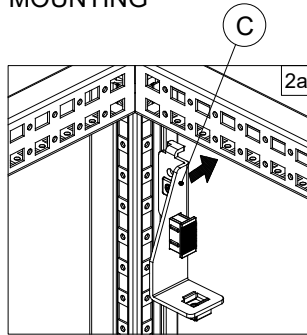


MPD02

| Ref. | Pic. | Qty. |
|------|--------------|------|
| A | M5X12 | 2 |
| B | Bottom left | 1 |
| C | Bottom right | 1 |

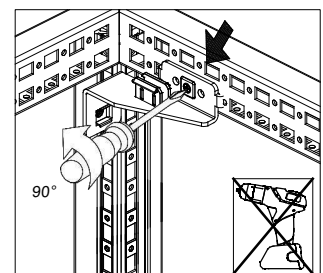
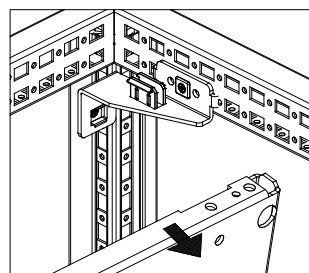
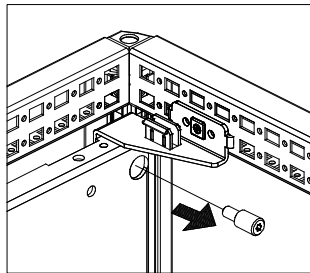
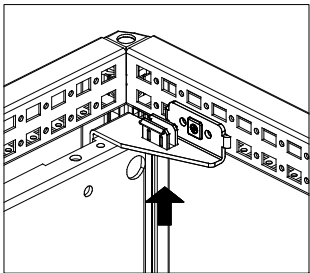


MOUNTING






D Torque 4.5-5 Nm

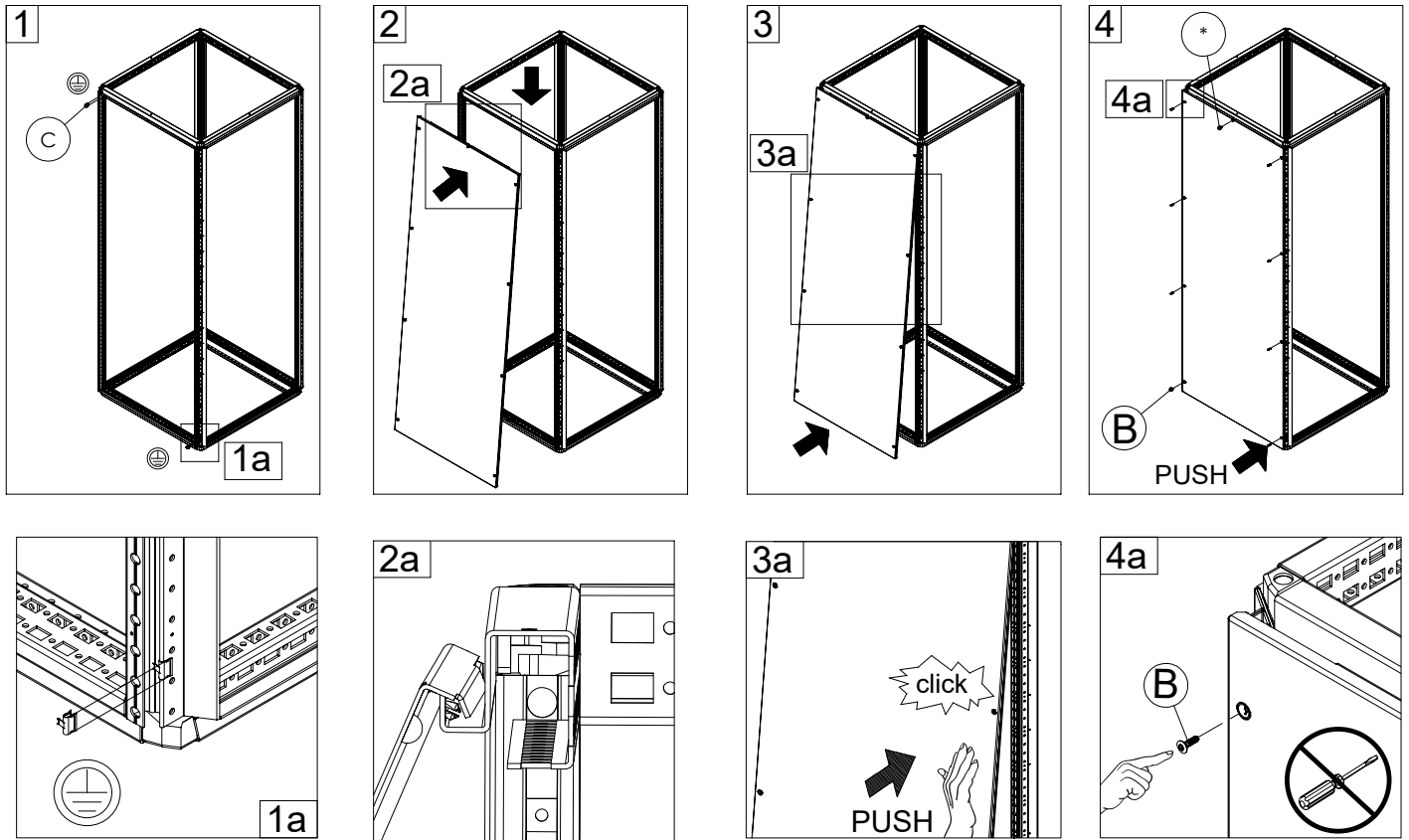
UNMOUNTING



SPM

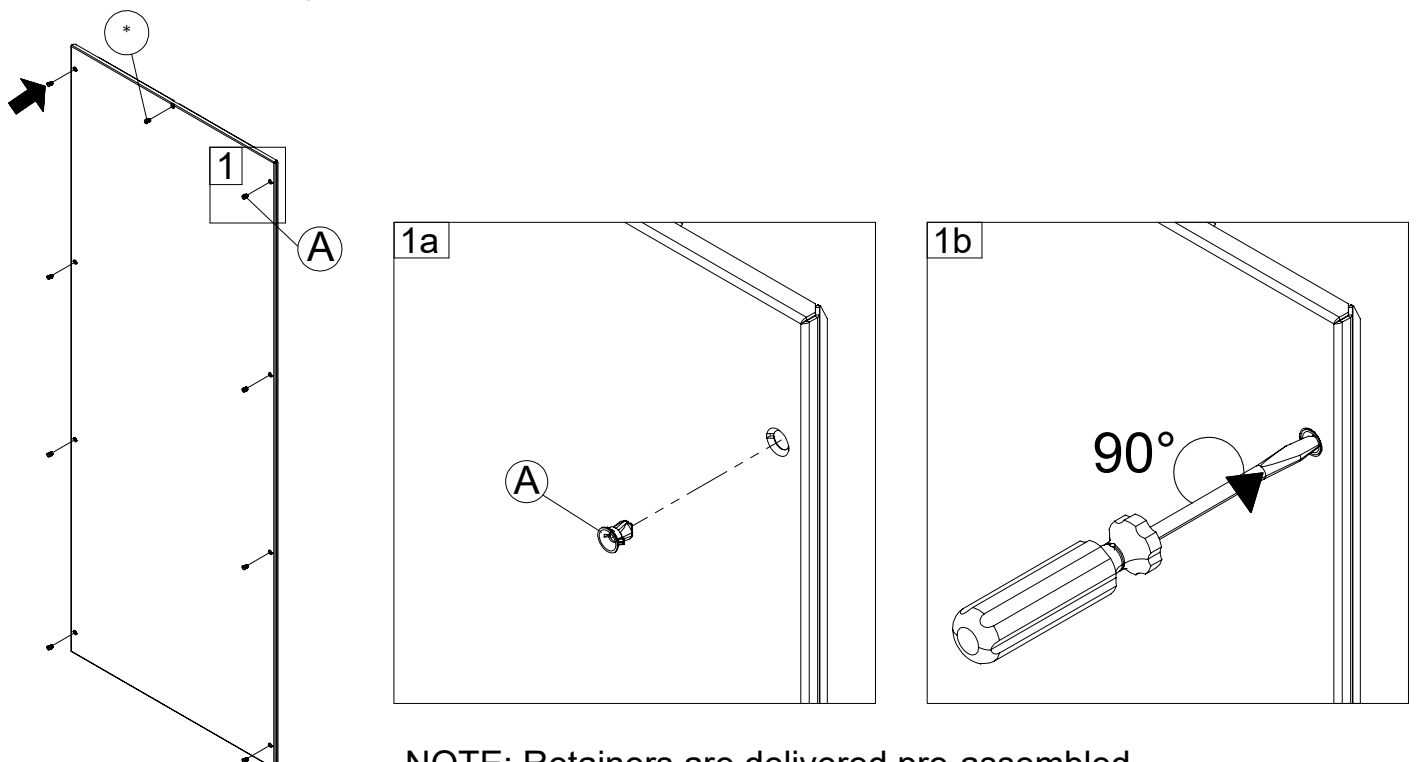
| Ref. | Pic. | Qty. |
|------|---|-------|
| A |  | 6/8/9 |
| B |  M4x14 | 6/8/9 |
| C |  | 2 |

Side panel mounting






* - Used only on enclosures 800 mm deep and above.

Retainer mounting

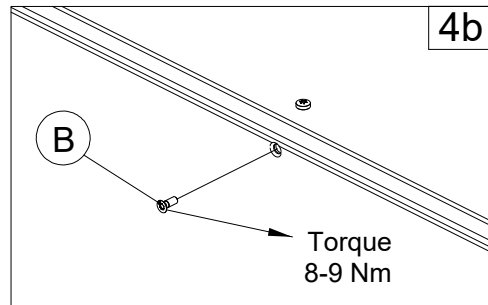
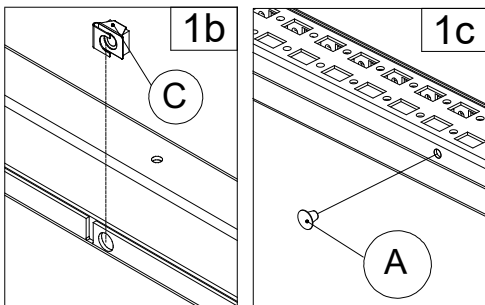
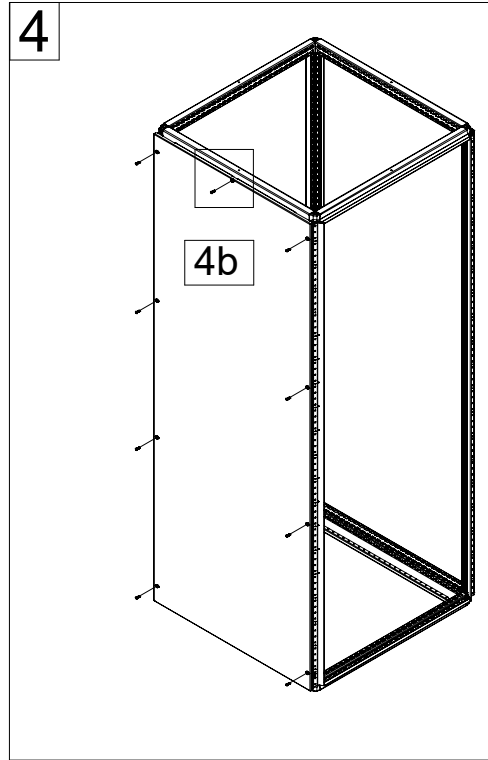
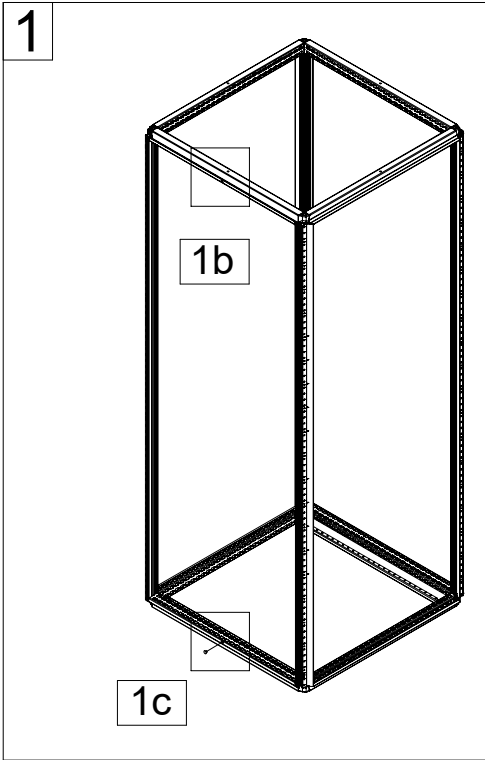


NOTE: Retainers are delivered pre-assembled.

SPM

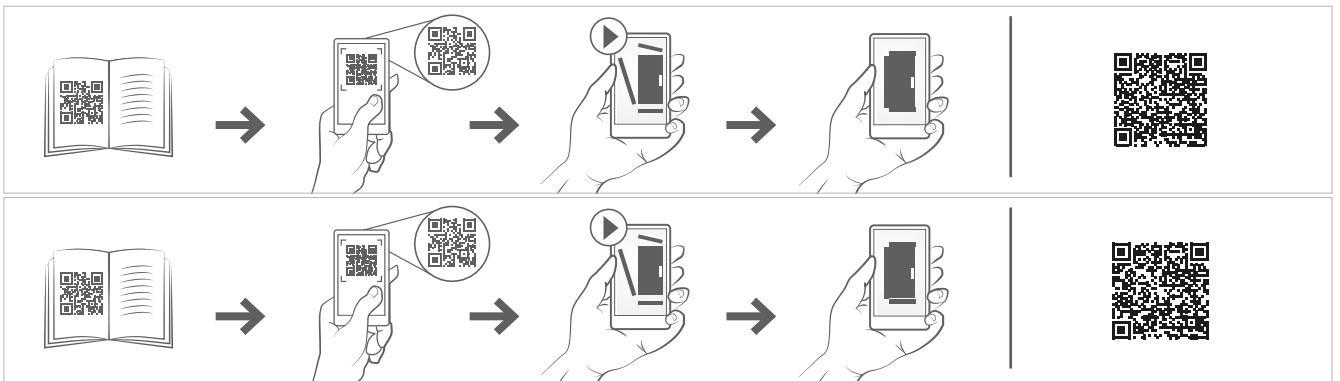
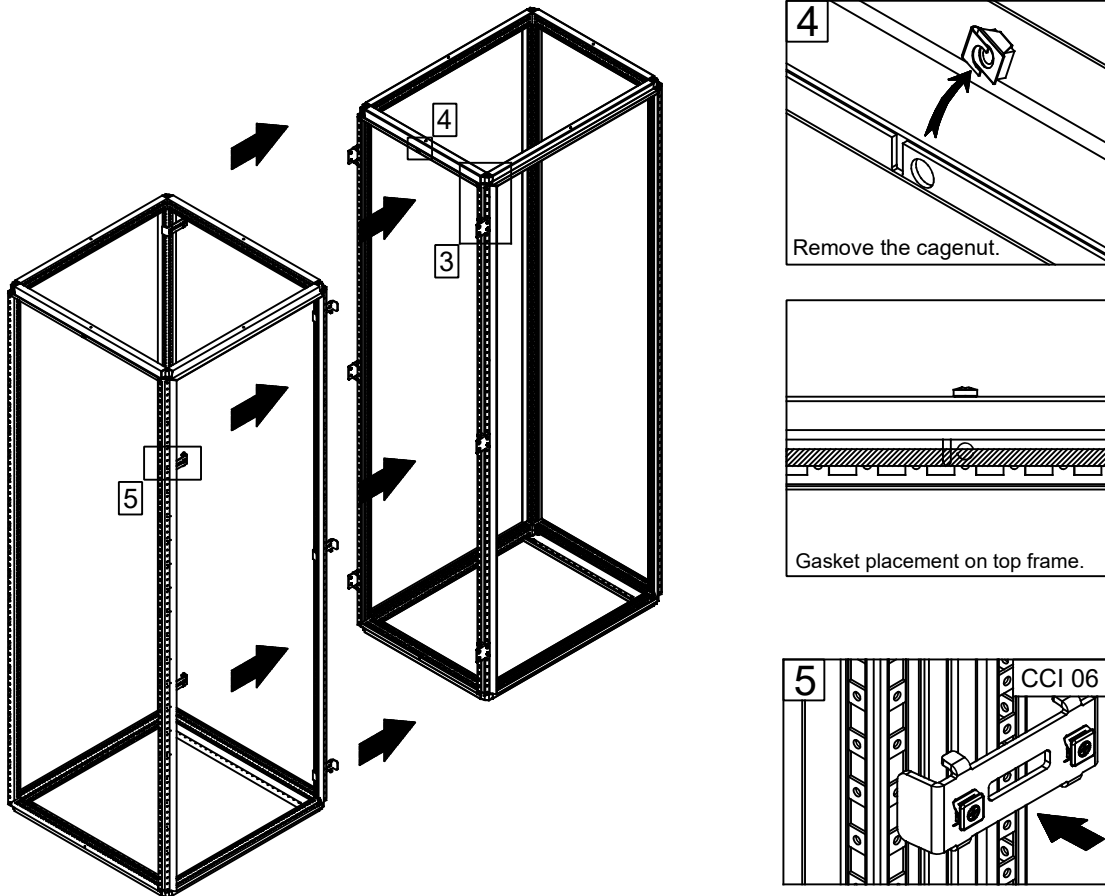
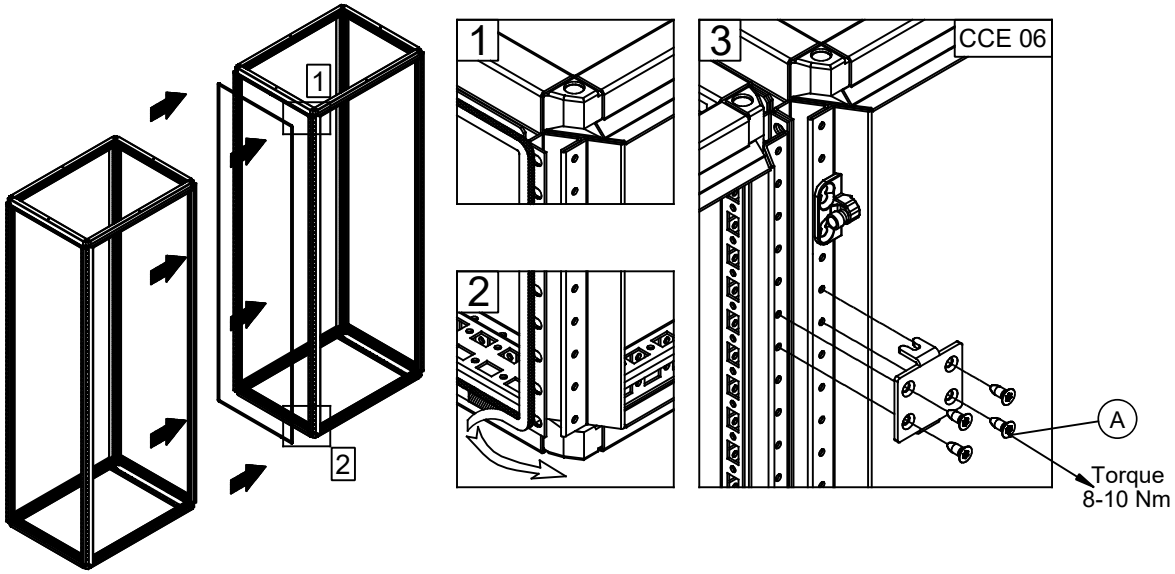
| Ref. | Pic. | Qty. |
|------|---|------|
| A |  | 1 |
| B |  M6x16 | 1 |
| C |  | 1 |

For the old design frame (800 mm in depth or more), the following additional steps are required:



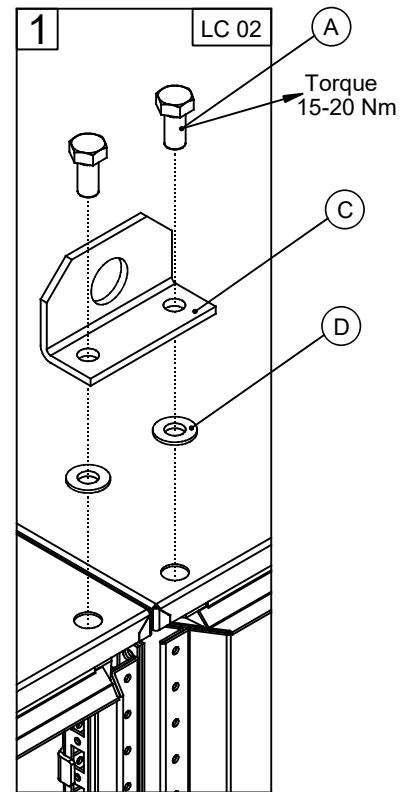
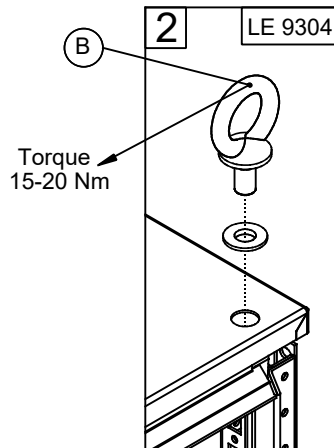
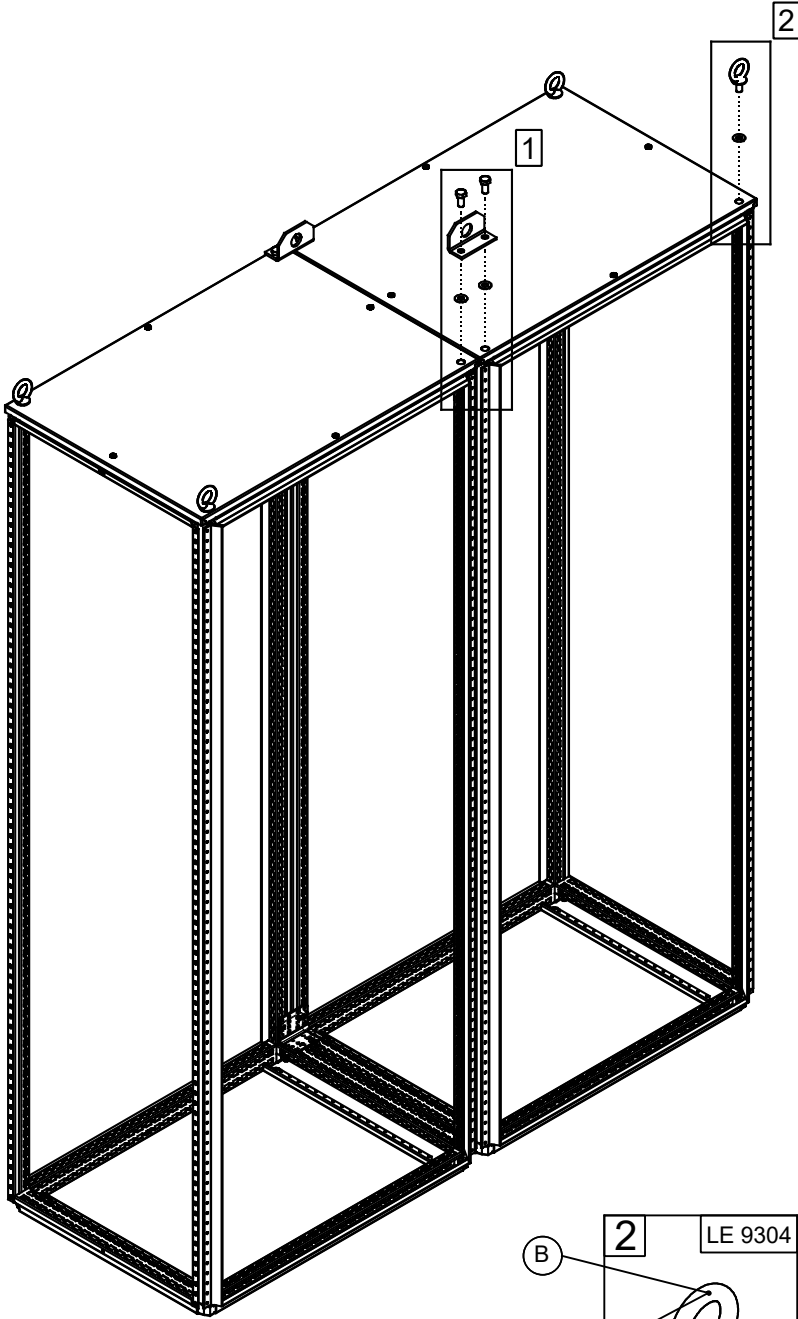


| Ref. | Pic. | Qty. |
|------|------|------|
| A | | 8 |
| B | | 6 |
| C | | 12 |
| D | | 6 |





| Ref. | Pic. | Qty. |
|------|------|------|
| A | | 4 |
| B | | 4 |
| C | | 2 |
| D | | 4 |

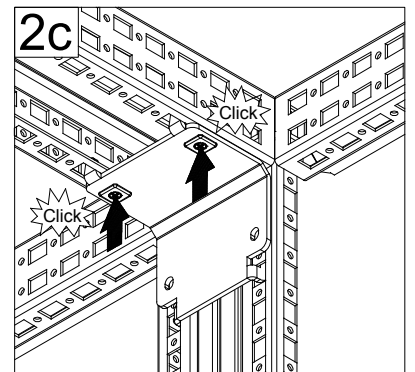
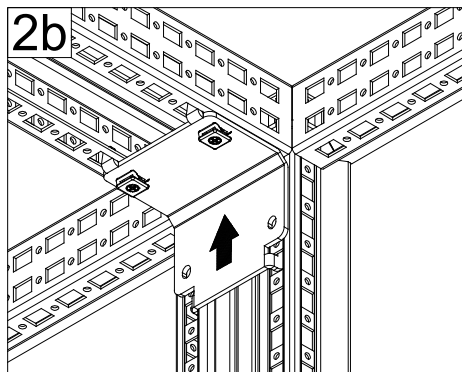
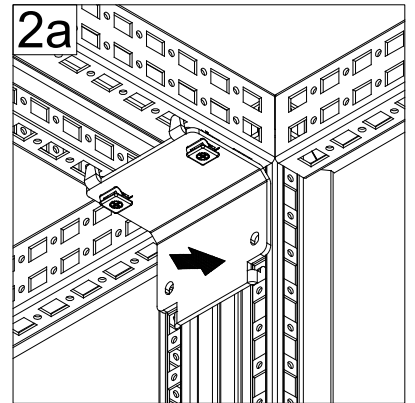
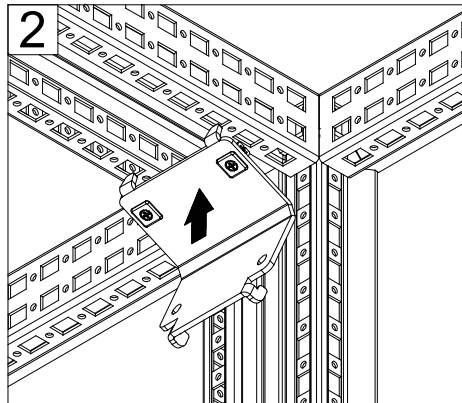
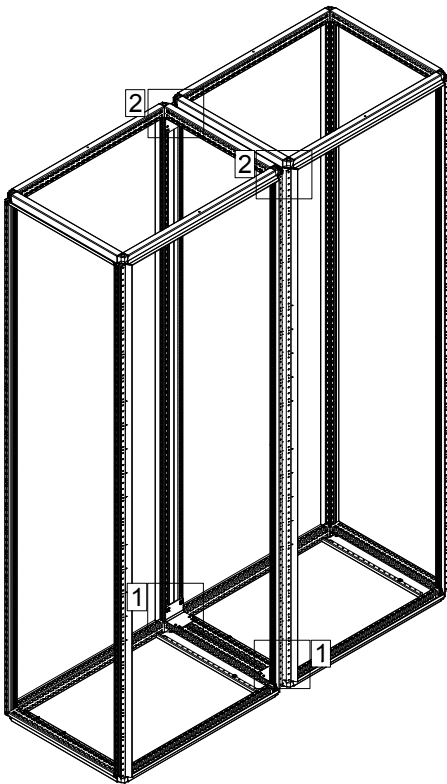
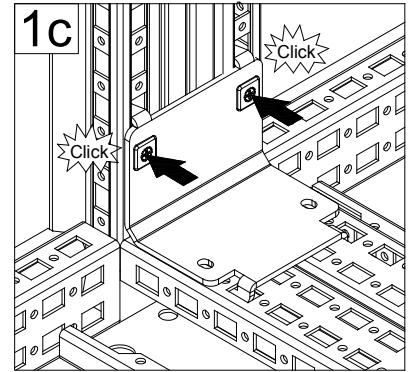
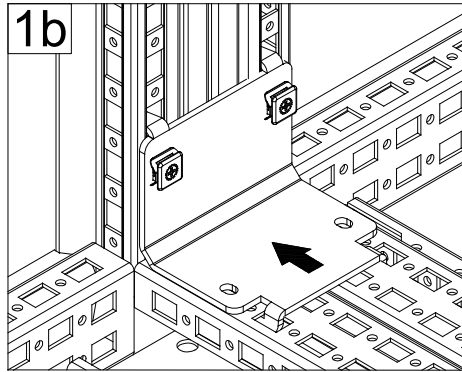
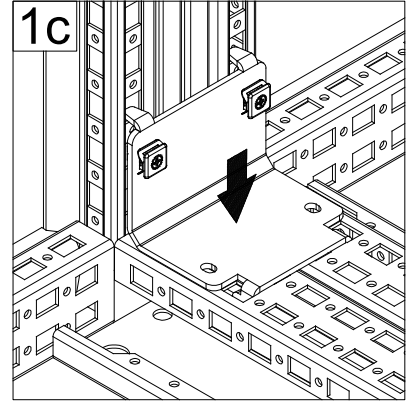
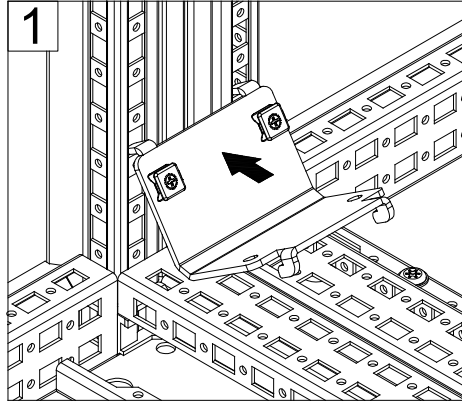
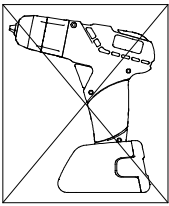
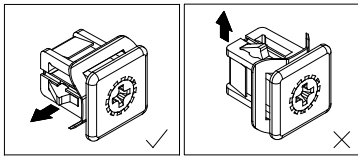
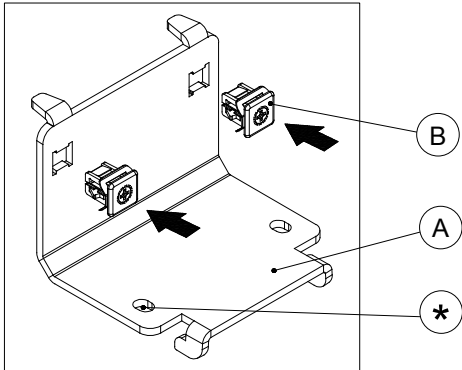




CCM 04

| Ref. | Pic. | Qty. |
|------|------|------|
| A | | 4 |
| B | | 8 |

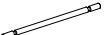



MOUNTING

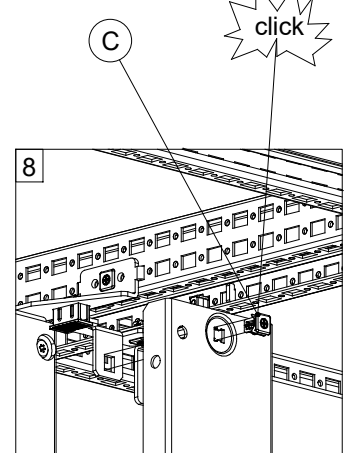
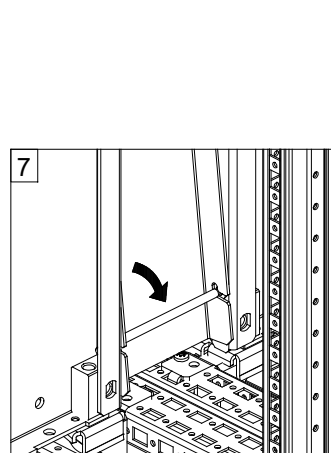
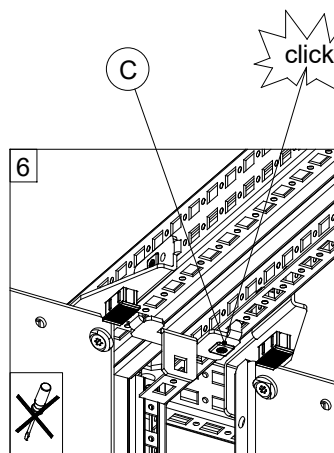
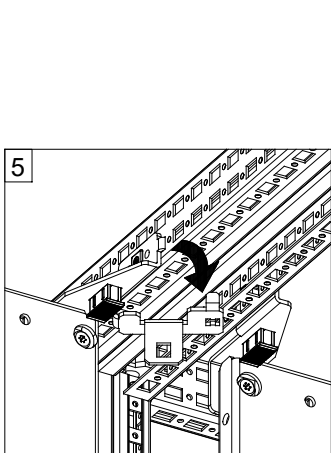
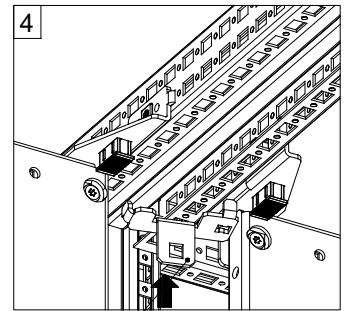
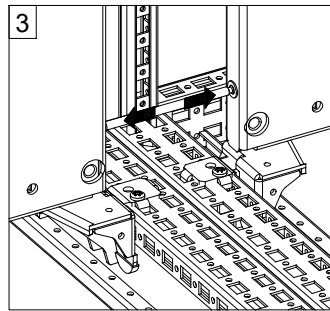
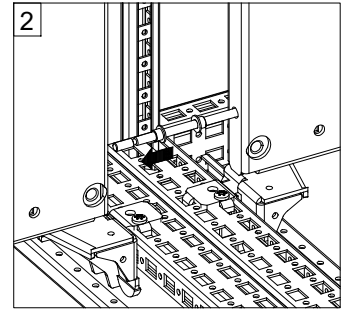
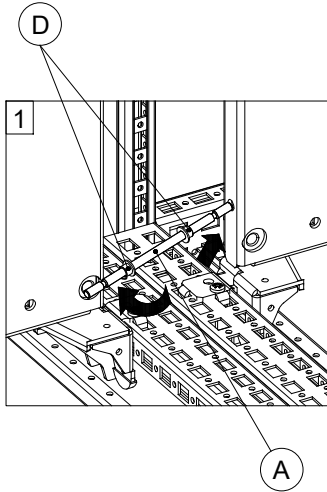
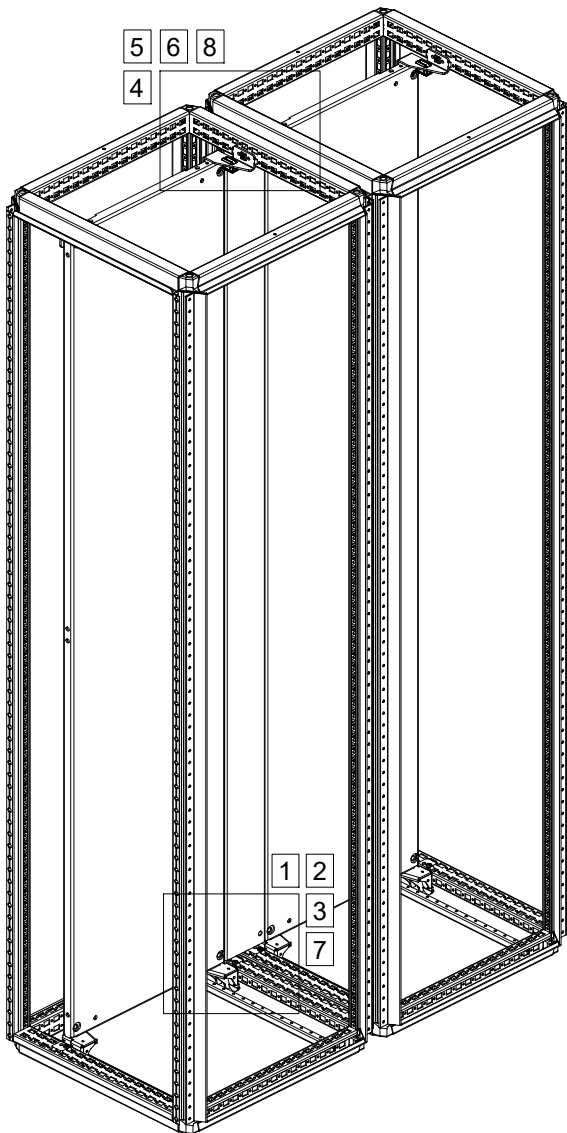


Note: It is mandatory for all four brackets to be installed at all four corners !

* The fixation holes can be used to better fix the bracket to the frame, using cage nuts and screws !

MPF


| Ref. | Pic. | Qty. |
|------|---|------|
| A |  | 1 |
| B |  | 1 |
| C |  | 2 |
| D |  | 2 |

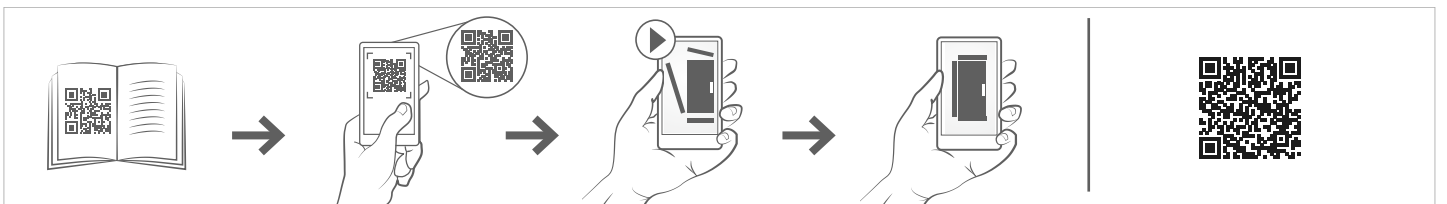
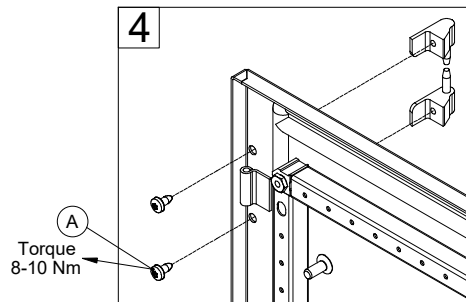
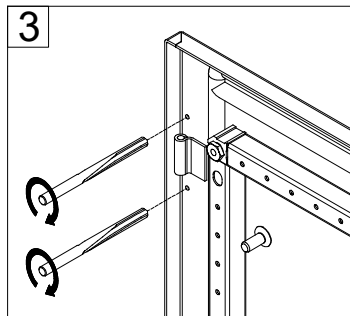
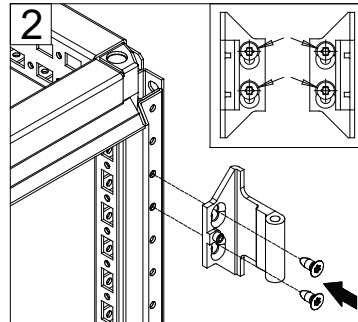
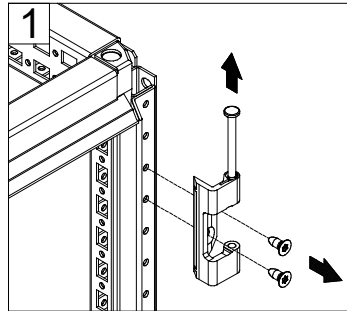
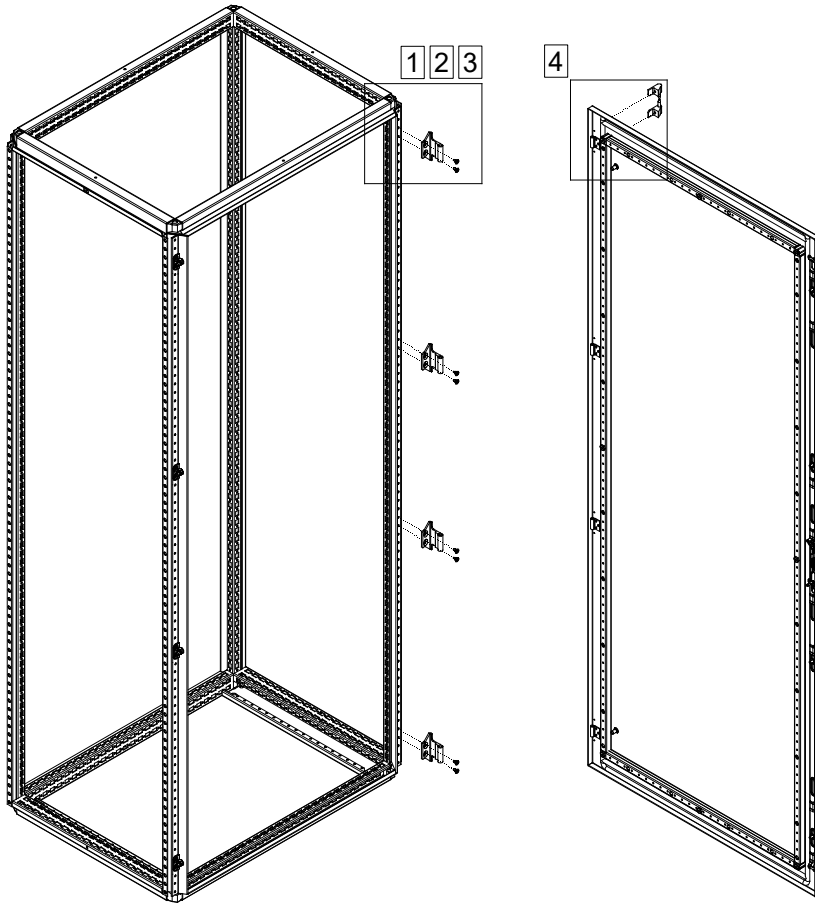
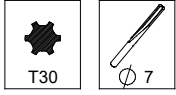


Back view



DHN 180

| Ref. | Pic. | Qty. |
|------|---|------|
| A |  M6x12 | 8 |



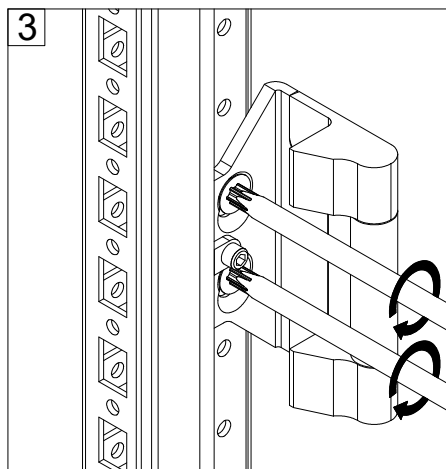
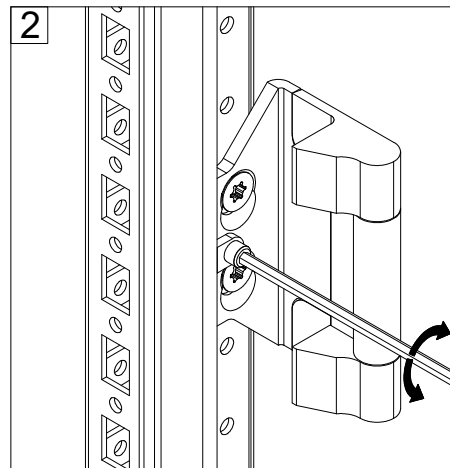
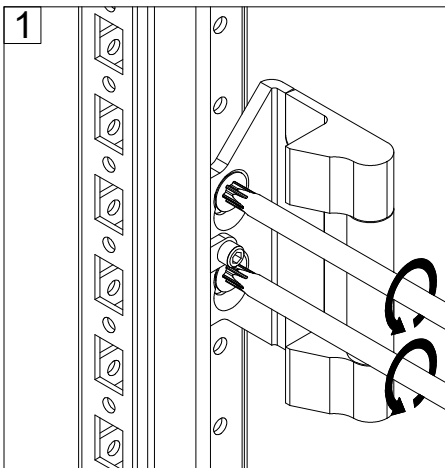
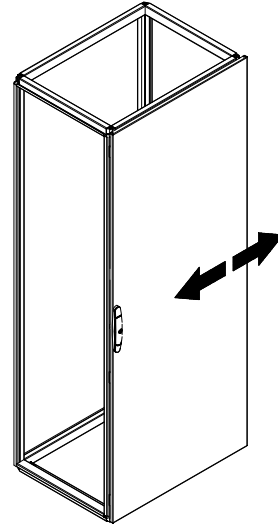
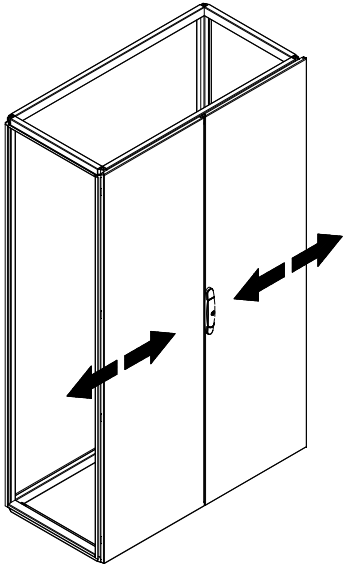


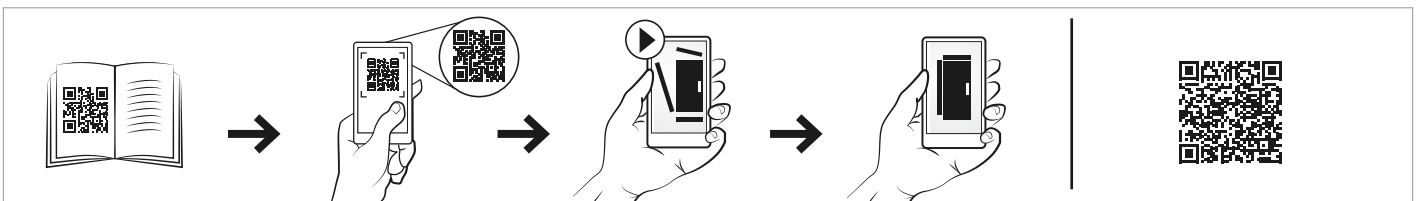
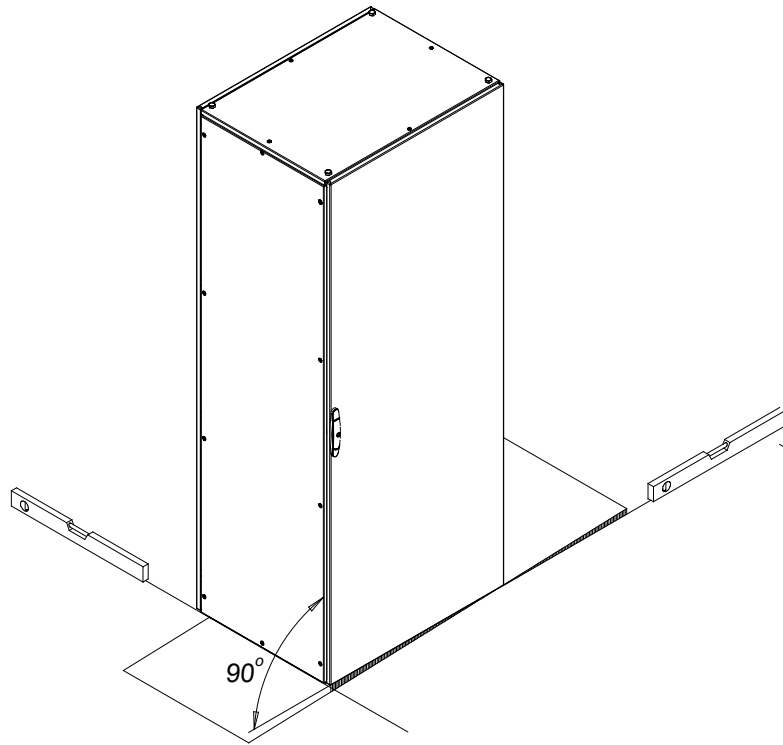
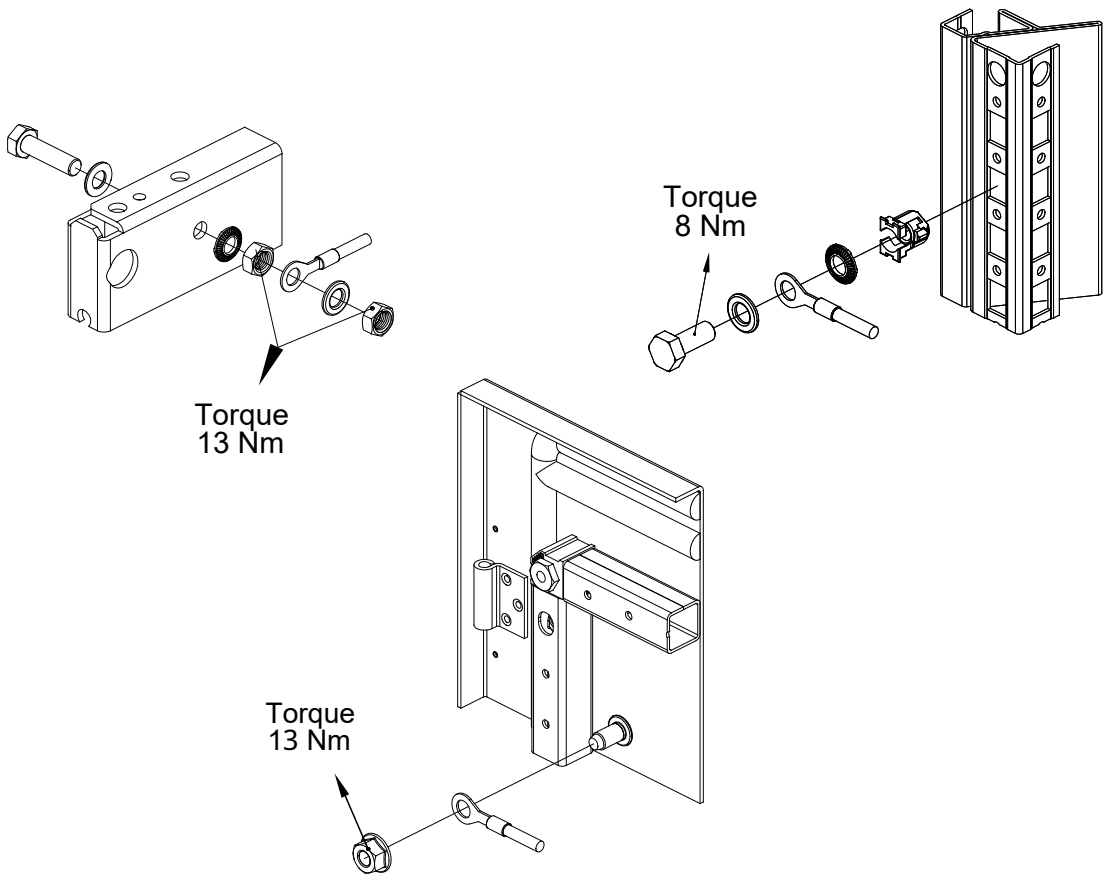
T30



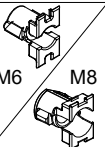
SW3

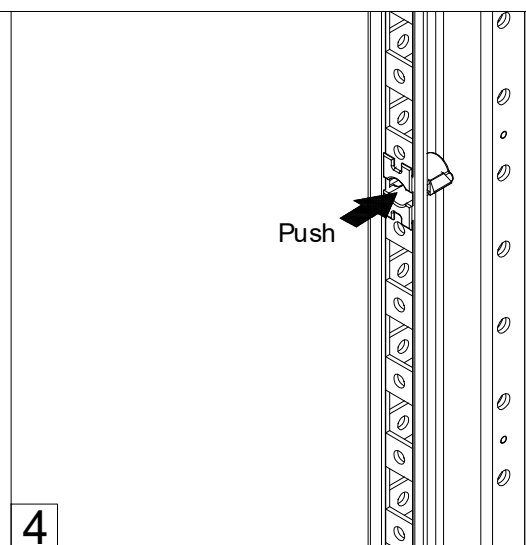
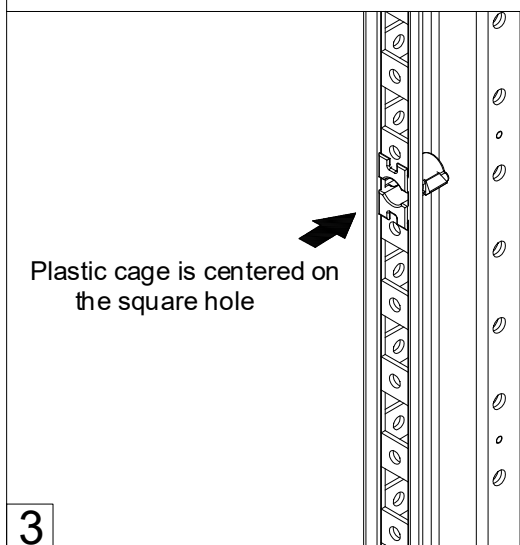
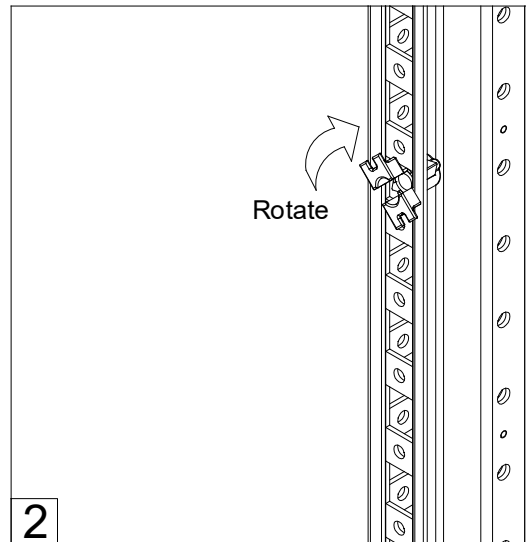
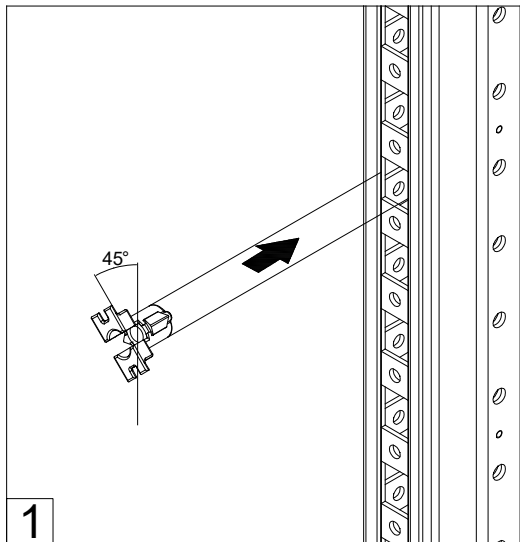
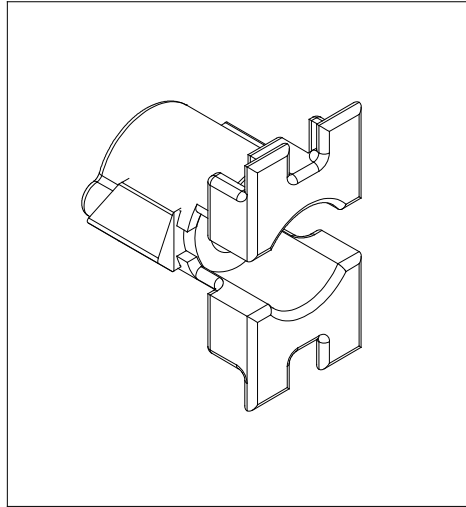
DHN 180 DOOR ADJUSTMENT

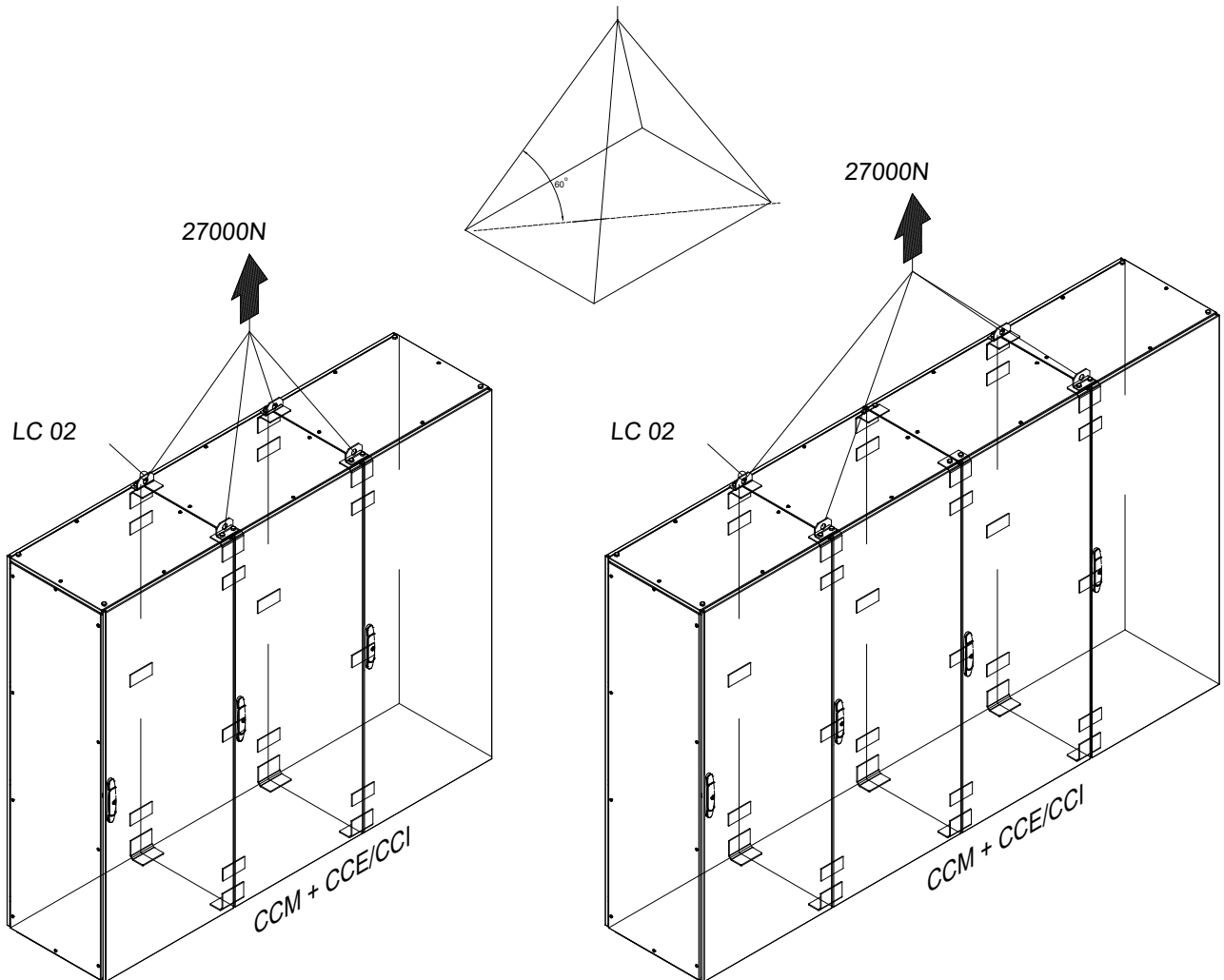
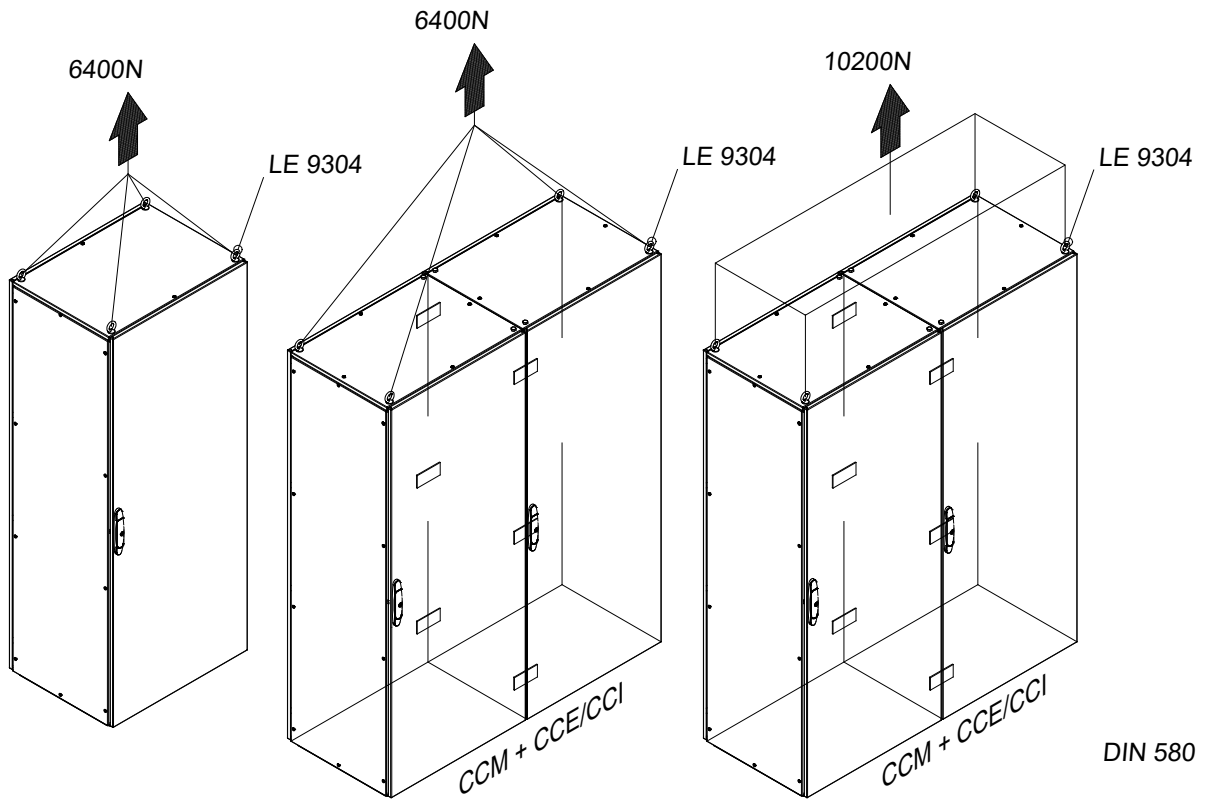




CNM

| Ref. | Pic. | Qty. |
|------|---|------|
| A |  | 1 |







MCM

Mousepad RH into LH

