



# Southwire™

## EMT COUPLINGS

### COMPRESSION TYPE COUPLING - STEEL

#### FEATURES

- Compression type couplings
- Concrete-tight
- For size 2-1/2" to 4", also suitable for Rigid /IMC conduit

#### APPLICATION

- Use to join two lengths of EMT

#### STANDARD MATERIAL

- Steel

#### STANDARD FINISH

- Zinc plated

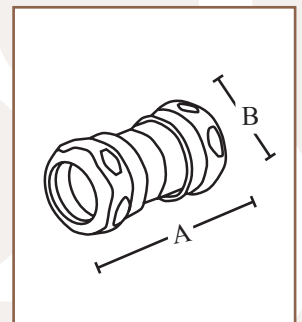
#### CERTIFICATIONS

- UL Standard: UL 514B
- Fed. Spec: W-F-406E, W-F-406D
- NEMA: FB1-2014



661S

PART #	SIZE	INNER QTY.	MASTER QTY.	WEIGHT/ CASE (LBS.)	A	B
661S	1/2"	25	250	31	1.688"	1.25"
662S	3/4"	25	250	36	2"	1.563"
663S	1"	10	100	23	2.125"	1.813"
664S	1-1/4"	---	25	15	3.063"	2.188"
665S	1-1/2"	---	20	10	3.125"	2.438"
666S	2"	---	15	10	3.375"	2.938"
667S	2-1/2"	---	12	22	4.875"	3.688"
668S	3"	---	6	16	5.25"	4.313"
669S	3-1/2"	---	6	17	5.50"	4.875"
670S	4"	---	6	20	5.75"	5.375"



Rev. 1, 02/26

**BUILT FOR DURABILITY.  
BUILT FOR RELIABILITY.  
BUILT FOR WORK.™**

1-855-798-6657 | SOUTHWIRE.COM

©2026 Southwire Company, LLC. All rights reserved.  
\*Registered Trademark & ™Trademark of Southwire Company, LLC.