

PANDUIT PART #	STUD SIZE		DIMENSIONS in. [mm]				
	ENGLISH	METRIC	L ± .05 [.1]	W ± .01 [0,3]	C ± .015 [0,4]	M ± .03 [0,8]	H ± .01 [0,3]
PMNF6-3R	--	M3	.98 [24,9]	.23 [5,8]	.36 [9,1]	.95 [24,1]	.13 [3,3]
PNF10-6R	#6	M3,5	1.06 [26,9]	.37 [9,4]	.31 [7,8]	.88 [22,4]	.15 [3,8]
PNF10-8R	#8	M4	1.06 [26,9]	.37 [9,4]	.31 [7,8]	.88 [22,4]	.17 [4,3]
PNF10-10R	#10	--	1.06 [26,9]	.37 [9,4]	.31 [7,8]	.88 [22,4]	.20 [5,1]
PMNF6-5R	--	M5	1.06 [26,9]	.38 [9,6]	.36 [9,1]	.87 [22,1]	.21 [5,3]
PNF10-14R	1/4"	M6	1.21 [30,7]	.52 [13,2]	.38 [9,6]	.95 [24,1]	.27 [6,9]
PNF10-56R	5/16"	M8	1.21 [30,7]	.52 [13,2]	.38 [9,6]	.95 [24,1]	.34 [8,7]
PNF10-38R	3/8"	M5	1.29 [32,8]	.58 [14,7]	.43 [10,9]	1.00 [25,4]	.40 [10,2]

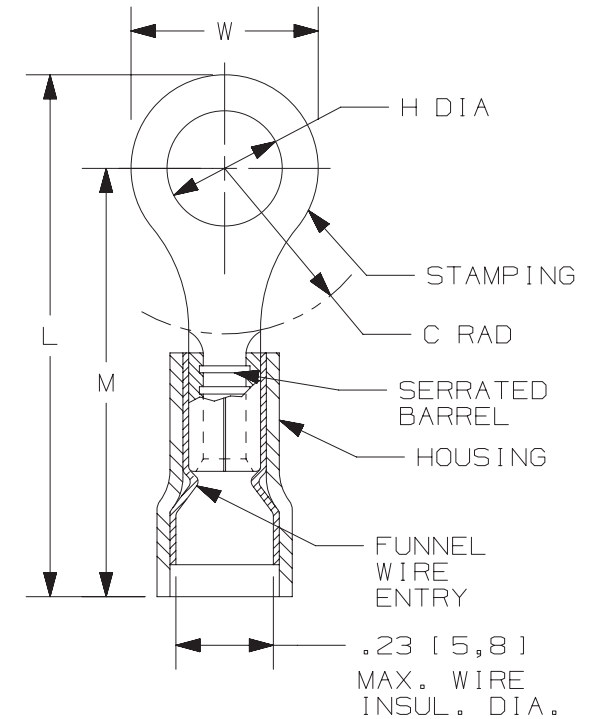
NOTES:

- UL LISTED & CSA CERTIFIED FOR:
 - #12-10 AWG [4,0-6,0 mm²] SOLID OR STRANDED COPPER WIRE
 - 221°F [105°C] MAX. OPERATING TEMPERATURE
 - 600 V. MAX. VOLTAGE RATING
1000 V. IN SIGNS, FIXTURES & LUMINARIES
- VISIT OUR ON-LINE CATALOG AT WWW.PANDUIT.COM FOR A LIST OF CURRENT PARTS APPLICABLE FOR USE WITH THIS PRODUCT.
- MATERIAL:
 - STAMPING: .04" [1,0] THK COPPER, TIN PLATED
 - HOUSING: NYLON, YELLOW
 - SLEEVE: BRASS, TIN PLATED
- DIMENSIONS IN BRACKETS ARE METRIC EQUIVALENT
- WIRE STRIP LENGTH: 9/32" ^{+1/32}/₋₀ [7,1^{+0,8}/₋₀]

UL & CSA TOOLS (DIES)
CT-600-A (CT-550CH, CT-500CH)
*CT-1550
*CT-1551
CT-2300 (CD-550)
CT-2400 (CT-2455CH)
UP147LW (CD-550)
CT-2500 (CT-2550CH)
CT-250

* NOT UL/CSA WITH #10AWG SOLID COPPER WIRE

PANDUIT APPROVED TOOLS
CT-100
CT-160
CT-260



LISTED
587H
E52164



CERTIFIED
LR31212

PART NUMBER		SEE TABLE	
TITLE		RING TERMINALS, 3 PC. NYLON FUNNEL INSULATED, #12-10	
CUSTOMER DRAWING			
ITEM REVISION NAME		N41277BA/14	
DATASET FILE NAME		N41277BA_DC/14	
THIRD ANGLE PROJECTION			
MATERIAL		SEE NOTES	
DRAWING NUMBER		A41277	
DRAWN BY	DATE	CHK	SCALE
DAW	-	RLS	N.T.S
REV	DATE	BY	CHK
14	10/15/25	USR 094325	USR 094325
13	07/23	SAHR	MRWA
DESCRIPTION		ECN	
REMOVED MILITARY SPEC CLASS 1 & 2, ADDED TOOLS: CT-500CH, CT-2400(CT-2455CH) & CT-250		022625/00	
UPDATED PMNF6-3R DIMENSIONS AND TOLERANCES		132389/00	
SHEET 1 OF 1		A	

A-SIZE CUSTOMER