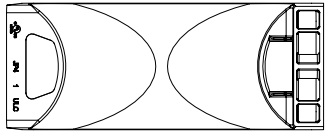
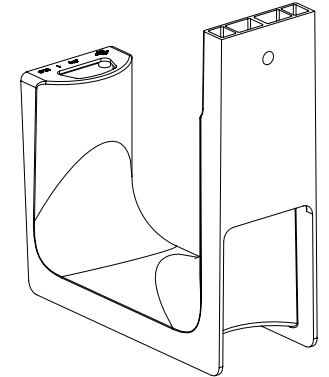
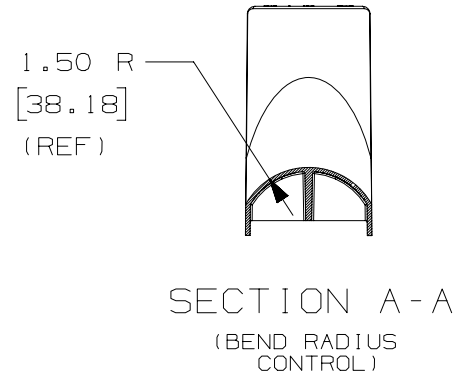
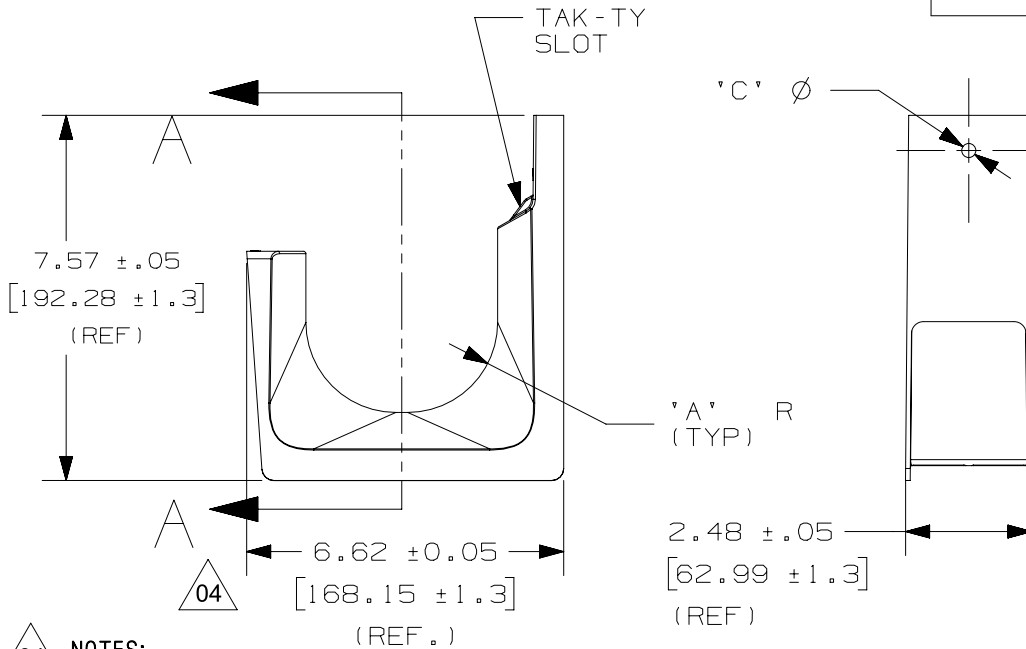


THIS COPY IS PROVIDED ON A RESTRICTED BASIS AND IS NOT TO BE USED IN ANY WAY DETRIMENTAL TO THE INTERESTS OF PANDUIT CORP.



PANDUIT PART NO.	DIMENSIONS			WEIGHT lbs 10 (g) pcs
	'A' (REF.)	'B'	'C' +/- .010	
JP4W-___	2.00 [50.80]	0.72 [18.30]	0.272 [6.60]	3.84 [1742]



- 04** NOTES:
- SEE CURRENT PRICE SHEET FOR PART NUMBER SUFFIX DESIGNATION FOR PACKAGE SIZE AND PRODUCT COLOR.
 - PRODUCT IS DESIGNED TO SUPPORT A MAXIMUM 4.0" (101.6) DIAMETER BUNDLE, J-HOOKS SPACED MIN 4" & MAX 5" INTERVALS.
 - PRODUCT INCORPORATES FEATURES ALLOWING USER TO RETAIN CABLE BUNDLES IN J-PRO J-HOOK WITH TAK-TY CABLE TIES UP TO 3/4" WIDE.
 - PRODUCT MARKINGS:
 cULus logo and statement:
 "SUITABLE FOR USE IN AIR HANDLING SPACES IN ACCORDANCE WITH SECTION 300-22 (C) & (D) OF THE NATIONAL ELECTRIC CODE IN SINGLE UNIT CONFIGURATION ONLY."
 ULC logo and statement:
 "IN ACCORDANCE WITH CAN/ULC S-102.2-10 IN SINGLE UNITS OR PAIRS, 4 ft (1220mm) MIN. SPACING, FSR=0, SDC=35."

REV	DATE	BY	CHK	APR	DESCRIPTION	ECN
04	11/3/2021	RVU	RMHI	MSAD	REMOVED NOTE 2, SEE ON MATERIAL BLOCK FROM TITLE AREA. CHANGED FROM 6.62 +/- .005 TO 6.62 +/- .050.	GAECN06103
03	3/6/2013	DBLA	DJW	KLN	CHANGE DIMENSION 'C'.	GAECN00628
02	11/5/2012	DBLA	GGC	KLN	NOTE 5 UPDATED CAN/ULC S-102.2-10.	GAECN00391

TITLE J-PRO J-HOOK WALL MOUNT : JP4W		CUSTOMER DRAWING	
ITEM REVISION NAME G03043DA/13		PANDUIT ™	
DATASET FILE NAME G03043DA_DC-GB3043DC/13C CUST DWG		MATERIAL: NYLON 6/6 04	
UNLESS OTHERWISE SPECIFIED, DIMENSIONAL TOLERANCES ARE: IN (mm) .x ± .1 [2.54] .xxx ± .005 [0.127] .xx ± .01 [0.25] ANGLES ± 5°		DRAWING NUMBER: GB3043DC	
THIRD ANGLE PROJECTION	SCALE 1:4	SHT 1 OF 1	SIZE A

D10100DA/12