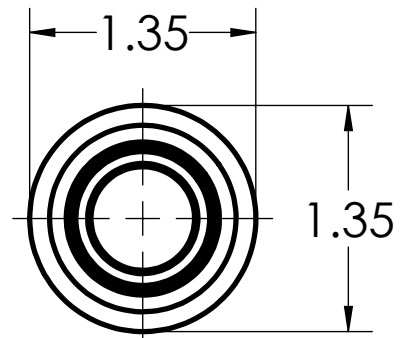
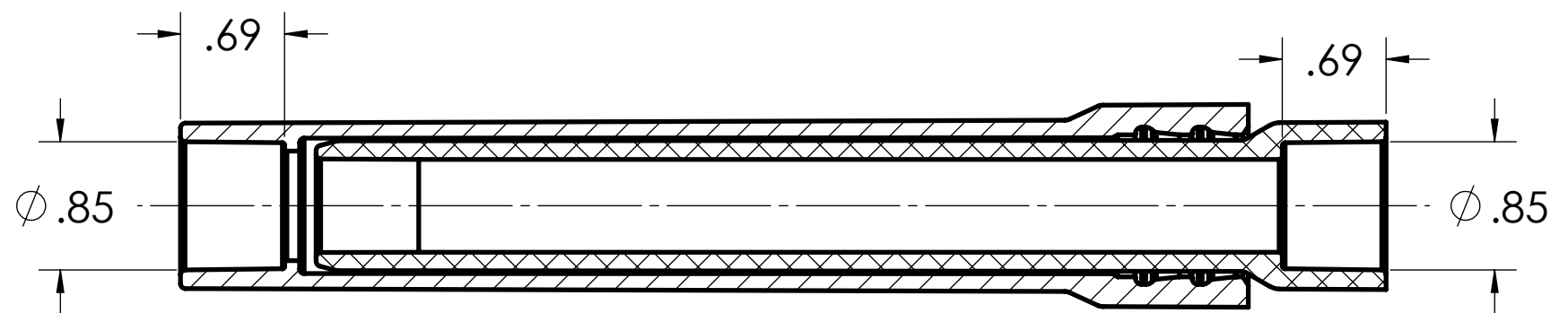
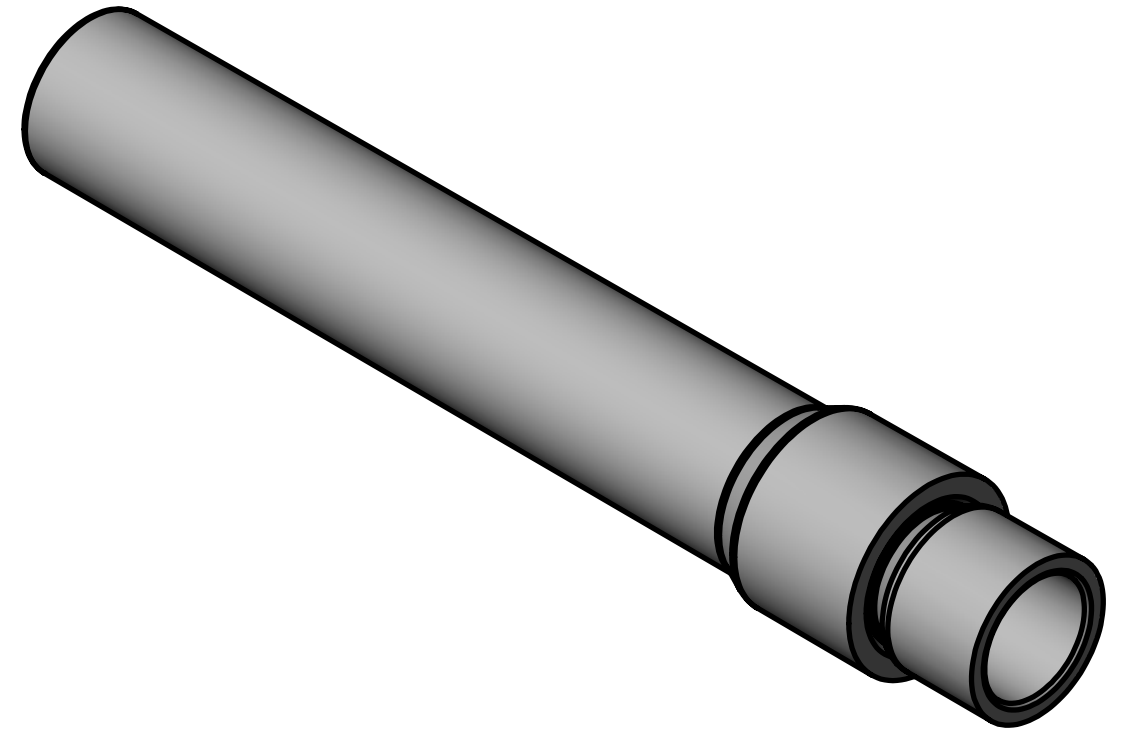


Note: Fully Expanded Length is 12"



DIMENSIONS SHOWN ARE FOR REFERENCE AND ARE SUBJECT TO CHANGE WITHOUT NOTICE		
Kraloy, a Division of Multi Fittings Corp. under license		
PART DESCRIPTION EJ05 1/2" PVC EXPANSION JOINT KRALOY		
PRODUCT CODE: 178681	UNIT: INCHES UNLESS DUAL DIMENSION: INCH [METRIC]	SCALE: NTS
DRAWN:	K.D.	