

T-45 WORKSTATION OUTLET CENTER SURFACE RACEWAY

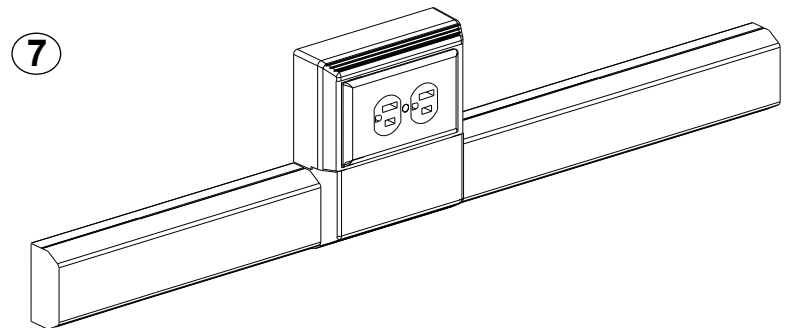
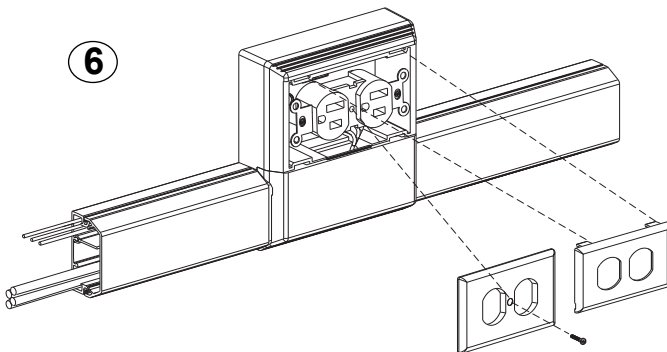
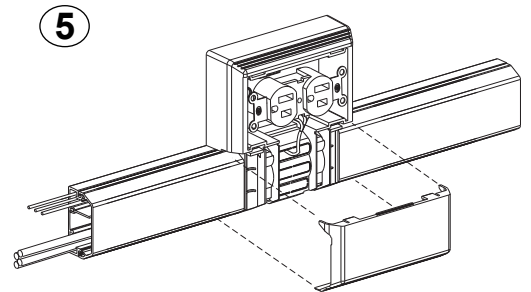
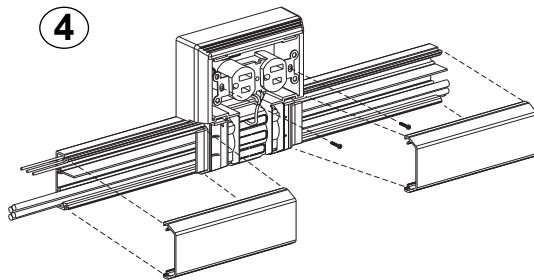
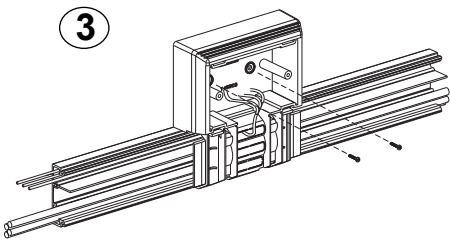
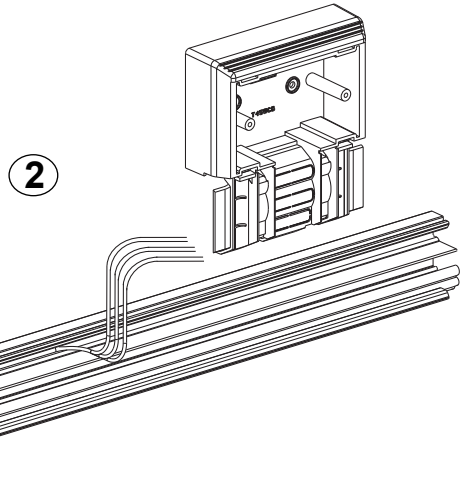
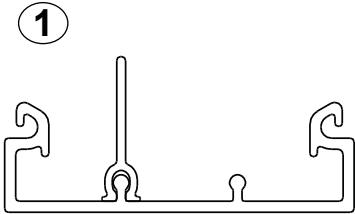
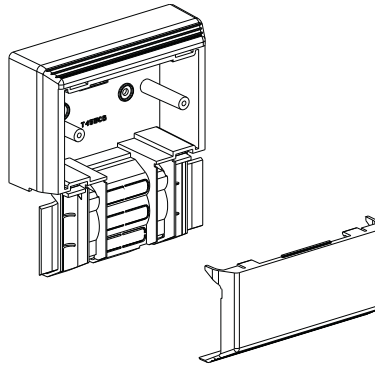
Part Number(s): T45WC

PANDUIT

© Panduit Corp. 2025

INSTALLATION INSTRUCTIONS

RW79B



For Instructions in Local Languages
and Technical Support:
www.panduit.com

PANDUIT
www.panduit.com

E-mail:
techsupport@panduit.com
Fax:
866-405-6654