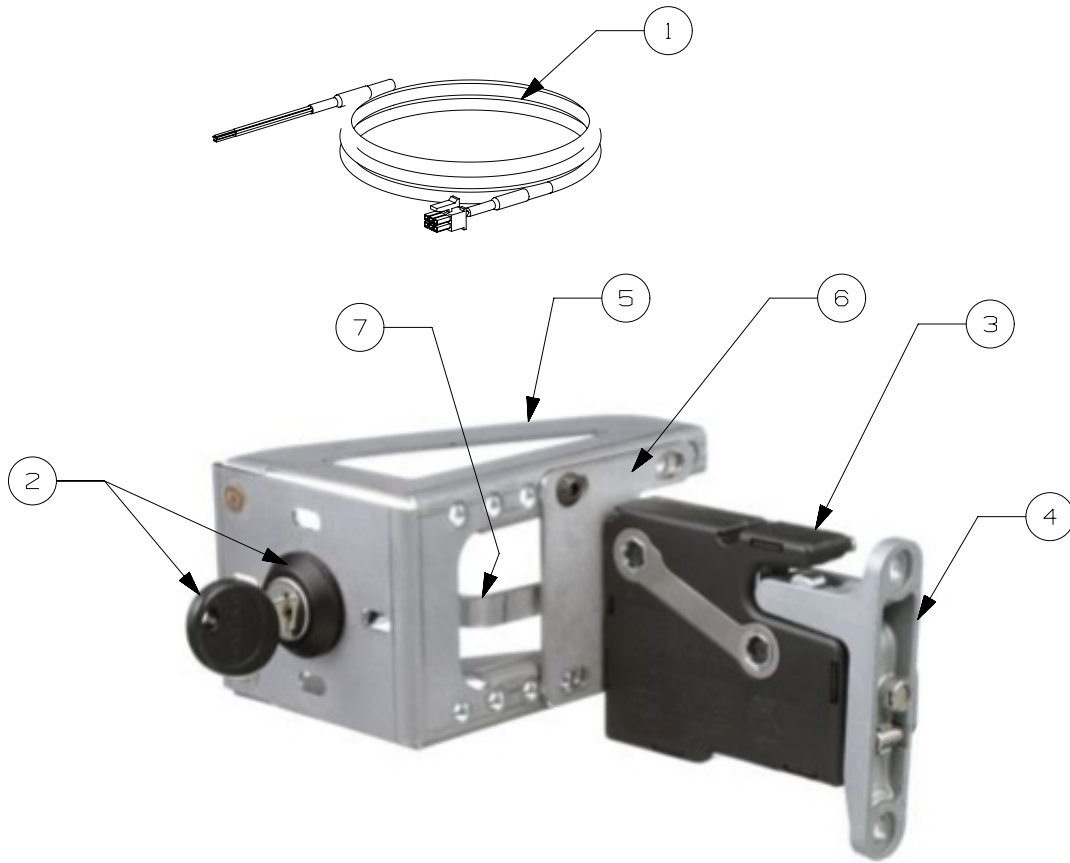
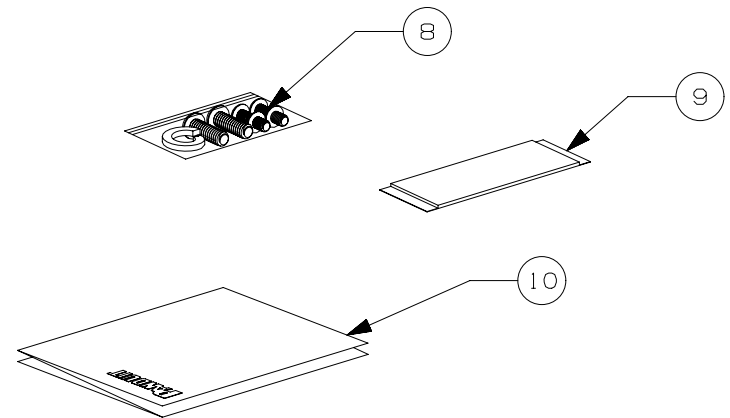
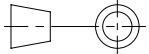


THIS COPY IS PROVIDED ON A RESTRICTED BASIS AND IS NOT TO BE USED IN ANY WAY DETRIMENTAL TO THE INTERESTS OF PANDUIT CORP.



ITEM	DESCRIPTION	QTY
1	WIRE HARNESS	1
2	CAM LATCH WITH KEY	1
3	ELECTRONIC ROTARY LATCH	1
4	LATCH STRIKER	1
5	ENCLOSURE BRACKET	1
6	LATCH BRACKET	1
7	SHORT CAM	1
8	HARDWARE KIT	1
9	ADHESIVE STRIP	1
10	VS-ACK INSTRUCTION SHEET	1



PART NUMBER		VS-ACK-CPWR	
TITLE			
VERISAFE ACCESS CONTROL KIT		CUSTOMER DRAWING	
ITEM REVISION NAME		00481EAC/01	
DATASET FILE NAME		00481EAC_DC/01A	
		THIRD ANGLE PROJECTION	
MATERIAL		NONE	
DRAWING NUMBER		00481EAC_DC	
REV	DATE	BY	CHK
01A	6/17/2025	RVU	MSAD
DESCRIPTION		ECN	
INITIAL RELEASE		GAECN07378	
SCALE	SHEET 1 OF 1		SIZE
NONE	A		A

01A	6/17/2025	RVU	MSAD	MSAD	INITIAL RELEASE	GAECN07378
REV	DATE	BY	CHK	APR	DESCRIPTION	ECN

2

1

2

1

B

B

A

A

A-SIZE-CUSTOMER-LAND