

Project		Catalog #		Type	
Prepared by		Notes		Date	



HALO

H245ICAT

4" IC, Air Tite, Ultra Shallow New Construction, LED Quick Connect Housing for use with LED Trims

The H245ICAT is a LED new construction housing for use in ultra-shallow ceilings. The H245ICAT is designed for insulated ceilings and can be in direct contact with ceiling insulation. This Air-Tite housing design restricts airflow between conditioned spaces and unconditioned areas. The LED quick connection system provides high efficacy code compliance when used with compliant Halo LED lighting systems.

Typical Applications Residential, Light Commercial, Single and Multi-family, Office, Hospitality, Shallow Plenum IC Spaces

Interactive Menu

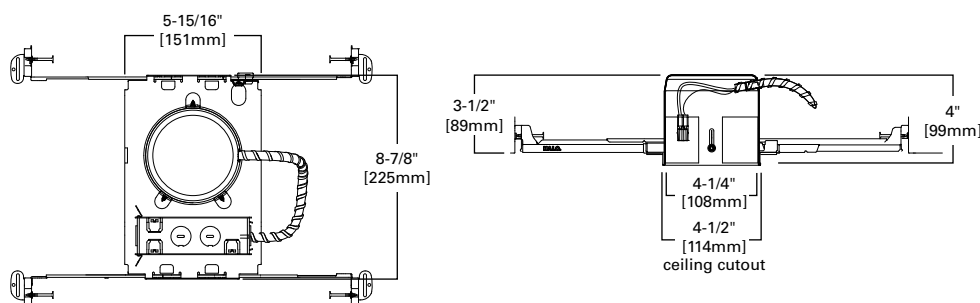
- Order Information page 2
- Product Specification page 3
- Product Warranty



Top Product Features

- 4" Ultra-Shallow LED Housing for IC-Rated 2 x 4 construction ceilings.
- Housing adjusts in plaster frame to accommodate up to 1" ceiling thickness.
- Got Nail Bar Hanger Bracket Pre-installed nail easily installs in regular lumber, engineered lumber and laminated beams
- Pass-N-Thru feature allows bars to cross-over for tool-less shortening in tight spaces less than 12" without removing from the plaster frame.
- Slide-N-Side™ connectors allow non-metallic sheathed cable for both U.S. and Canada to be installed without tools and without removing knockouts.
- Three 4-port push-in "Quick Connect" wire nuts included in junction box.
- All HALO H Series housings meet Air-Tite code requirements
- 5-year warranty

Dimensional and Mounting Details



Performance

When paired with LED retrofit trims:

Delivered Lumens	up to 1200L
LED Color Temperature	27K - 50K options
CRI	90+
Voltage	Dedicated 120V
Dimming	Forward/Reverse Phase

Order Information

Catalog Number	Housing	Qty per Carton	Qty per Pallet
H245ICAT	4" IC, Air-Tite, Ultra-Shallow New Construction, LED Housing, 120V/277V	Qty 6	Qty 180

For use with the following compatible HALO LED Trims.

Downlights



[HLBT](#)



[CJB](#)



[LTE](#)



[LT](#)



[RL](#)



[RSQ](#)



[RLD](#)



[RL Night Light](#)



[RL Smart Wi-Fi](#)



[ML4](#)

Adjustables



[LA](#)



[RA](#)

Product Specifications

Housing

- Single wall aluminum housing
- Openings are gasketed for Air-Tite™ ready installation
- Designed for insulated ceilings in direct contact with insulation* (May also be installed in non-insulated ceilings)

Plaster Frame

- Galvanized steel die-formed construction
- Housing adjusts in plaster frame to accommodate up to 1" ceiling thickness
- Plaster frame features include:
 - Patented regressed locking screw positioned for securing hanger bars from below the ceiling
 - Cutouts for easily crimping hanger bars in position
 - Air-Tite™ aperture gasket is preinstalled
 - HALO identity embossed on plaster frame

Got Nail!™ Bar Hanger Bracket Bar Hanger

Features include:

- Pre-installed nail easily installs in regular lumber, engineered lumber and laminated beams
- Safety and guidance system prevents snagging, ensures smooth straight nail penetration and allows bar hangers to be easily removed if necessary
- Automatic leveling flange aligns the housing and lets you hold the housing in place with one hand while driving nails
- Five additional mounting points
- Mounting point on top for hanger wire connection
- Integral T-bar clips snaps onto T-bars - no additional clips required

q-Channel bars with Pass-N-Thru™

- q-Channel bars feature an unique inverted "q" interlocking channel for rigidity and stability
- Pass-N-Thru™ feature allows bars to cross-over for tool-less shortening in tight spaces less than 12" without removing from the plaster frame. Push bars together and flex at score hole break points
- Housing can be positioned at any point within 24" joist span
- Bar hangers may be repositioned 90° on the frame

Slide-N-Side™ Junction Box Junction box features include:

- Slide-N-Side™ connectors allow non-metallic sheathed cable for both U.S. and Canada to be installed without tools and without removing knockouts
- Allows wiring connections to be made outside the junction box
- Simply insert the cable directly into the trap after connections are made
- accommodates the following standard non-metallic sheathed cable types: (US) #14/2, #14/3, #12/2, #12/3 (Canada) #14/2, #14/3, #12/2
- Positioned to accommodate straight conduit runs
- Seven 1/2" trade size conduit knockouts with true pry-out slots
- cULus Listed 26 in3 box volume
- Listed for through branch (8) No. 12 AWG branch circuit 90° C conductors through the box

Quick Connect™

- Three 4-port push-in "Quick Connect" wire nuts included in junction box
- Speed installation and increase reliability
- No additional wire nuts required
- Simply strip and insert supply wires

Air-Tite™ code compliant

LED Module Connection

- Halo LED modules install with a plug-in 120V/277V rated line voltage wiring connector (UL and CSA Listed luminaire disconnect)
- This non-screw base connection preserves the high efficacy rating and prevents use of low efficacy sources (See LED module specifications)

Application Note

- LED connection is rated for 120V and 277V input. Installer must verify LED module voltage is compatible with the applicable voltage input. If uncertain, consult a qualified electrician.

Compliance

- Type IC inherently protected, suitable for direct contact to air permeable insulation and cULus listed for damp locations
- cULus Listed 1598 luminaire
- cULus Listed damp location
- cULus Listed for wet location, covered ceiling, with select trims
- cULus Listed for feed through
- cULus Listed for direct contact with insulation and combustible material*
- Air-Tite code compliant. Certified under ASTM E283; not exceeding 2.0 cfm (0.944 L/s) air leakage rate tested at a 1.57 psf (75 Pa) pressure differential (with ceiling gasket GA-ATH7-6PK or caulk).
- Rated for 20W maximum
- Use with designated Halo LED systems for ENERGY STAR® certification
- Can be used for State of California Title 24 high efficacy compliance with Title 20 Certified Halo LED
- Can be used for International Energy Conservation Code (IECC) high efficacy compliance with designated LED modules and trims
- Refer to LED module specification sheets online for additional compliance information
- Suitable for use in clothes closets when installed in accordance with the NEC 410.16 spacing requirements
- Contains no mercury or lead and RoHS compliant

Warranty

- Five year limited warranty, consult website for details. www.cooperlighting.com/warranty

* Not to be used in direct contact with spray foam insulation (Consult NEMA LSD57-2013)