



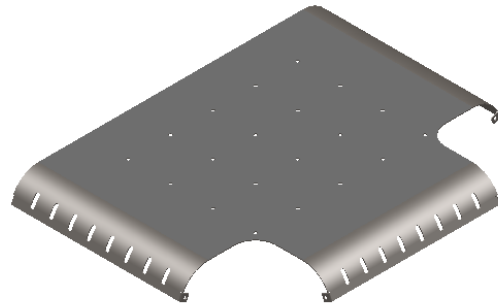
CABLOFIL WIRE BASKET ACCESSORY

Series: CF & ZF54, 105, & 150

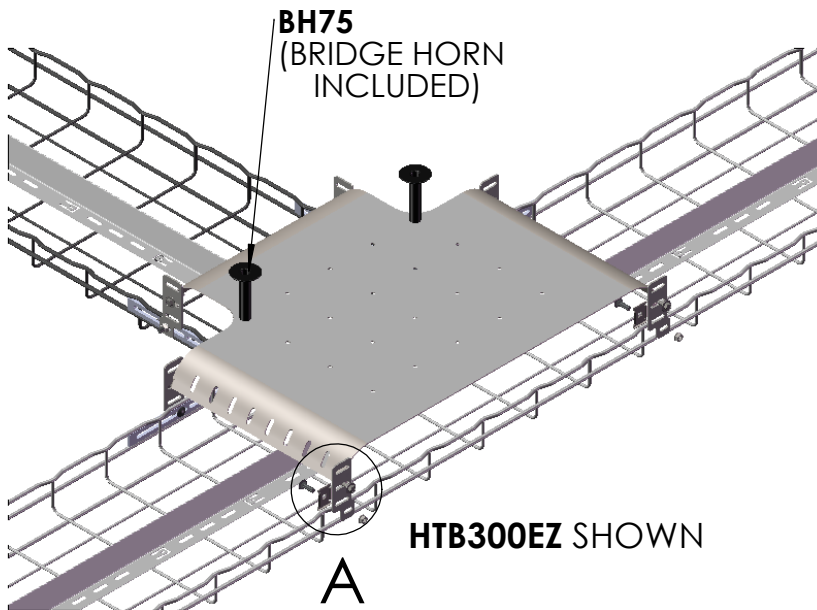
HTBxxxKIT - HORIZONTAL TEE BRIDGE (CROSS-OVER)

PART NAME	WEIGHT	TRAY WIDTH 'A'
HTB150KIT*	3.089	150
HTB200KIT*	4.325	200
HTB300KIT*	7.236	300
HTB450KIT*	12.645	450
HTB600KIT*	19.291	600
HTB700KIT*	22.202	700
HTB750KIT*	25.438	750
HTB900KIT*	29.585	900

* REPRESENTS FINISH



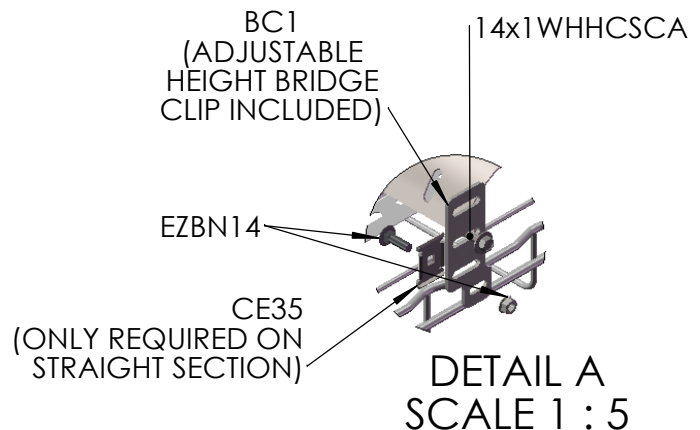
HTB300EZ SHOWN



BH75
(BRIDGE HORN
INCLUDED)

HTB300EZ SHOWN

A



BC1
(ADJUSTABLE
HEIGHT BRIDGE
CLIP INCLUDED)

14x1WHHCSCA

EZBN14

CE35
(ONLY REQUIRED ON
STRAIGHT SECTION)

DETAIL A
SCALE 1 : 5

KIT CONSIST OF:

- 1 - HTBxxx (HORIZONTAL TEE BRIDGE)
- 6 - BC1 (BRIDGE CLIPS)
- 6 - 14x1WHHCSCA (SELF-THREADING BOLTS)
- 6 - EZBN14 (CARRIAGE BOLT/NUT COMBO)
- 2 - CE35 (WASHERS)
- 2 - BH75KIT (BRIDGE HORN KIT)

Material: STEEL

Finishes: EZ, BL, PE

Fits Basket Series: CF & ZF54, 105, & 150

"Copyright LNA, Inc. Drawings are proprietary and may not be copied or otherwise duplicated or used without express written permission."

CABCS0711

- CAN BE USED WITH STANDARD RADT90KIT'S & EZT90KIT'S
- CROSS-OVER BRIDGE SUPPLIED WITH MTG CLIPS & HARDWARE
- BRIDGE HORN HOLES ON APPROX. 3" CTRS
- IDEAL FOR MOST CABLES
- CREATES A SMOOTH CABLE TRANSITION WHEN VARIOUS CABLE TYPES ARE INSTALLED IN THE SAME TRAY AND SEPARATION IS NEEDED AT TRANSITION LOCATIONS

Legrand
8319 State Rt. 4
Mascoutah, IL 62258 USA
800-658-4641
618-566-3250
Fax 618-566-4978
www.legrand.us/cablofil