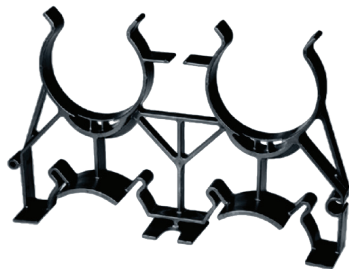


TECHNICAL DATA SHEET - INTERACTIVE PDF

Duct Spacer, Snap-N-Stac™ Combo Spacers

For use with non-metallic ducts

Carlon®



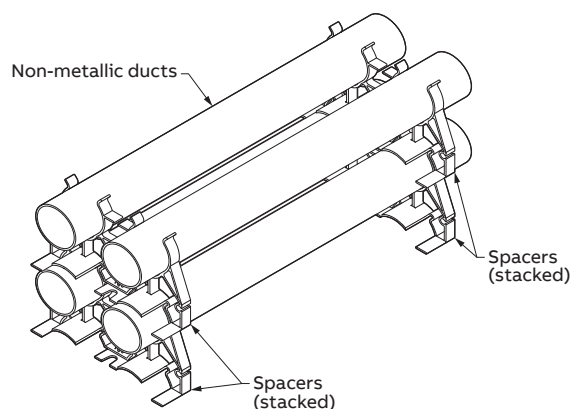
Features:

- Horizontal and Vertical locking system.
- Modular design allows for one-way & three-way configurations for 2", 4", & 6" ducts by modifying two-way design.
- Accepts 2", 3", 4", 5", & 6" ducts, 1" sizes compatible with reducer.

Applications:

- Recommended: Encased concrete direct burial
 - Direct-Burial
- Note: Direct burial may result in excessive point deflection unless proper design engineering is applied.

Example of use:



Carlon Snap-N-Stac™ Combo Spacers support non-metallic ducts in concrete construction while utilizing a one-piece design to minimize installation time.

Certifications / Standards:



3-Part Specification: Tools and Calculators

Conforms to:

- RoHS (Restriction of Hazardous Substances)
 - European Directive 2011/65 and Commission Delegated Directive 2015/863

Material:

- High Impact Polystyrene

Table data:

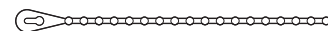
- [Product selection and dimensions](#)

Accessories:

- Reducer spacers
 - S287F (size 1")
 - S287J (size 2")



- Cable Tie, beaded nylon
 - S28612 (size 15")



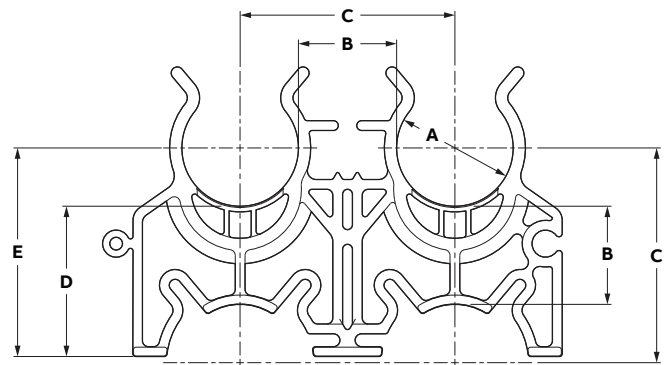
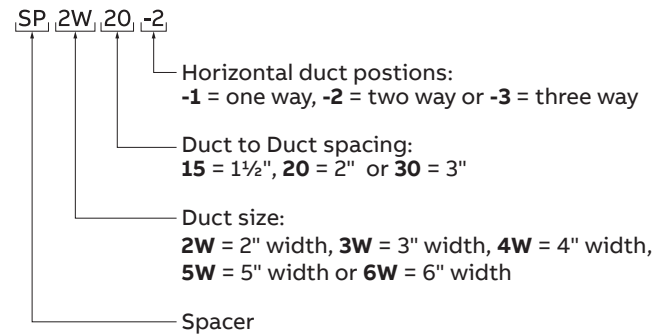
Duct Spacer, Snap-N-Stack™ Combo Spacers
For use with non-metallic ducts

Product selection and dimensions (inches)

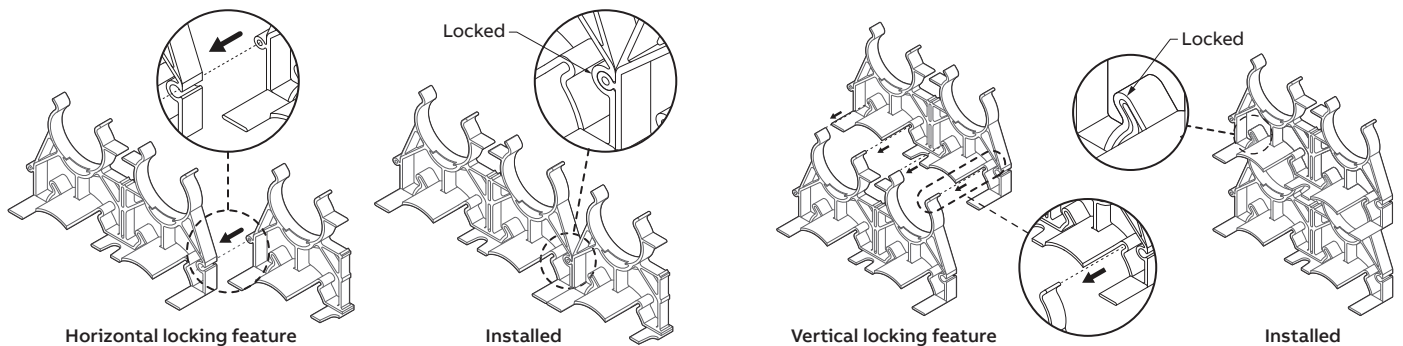
Part no.	Duct size	A		B		C		D	E	Horizontal duct position	Overall length
		Duct O.D.	Duct to Duct spacing		Center to Center space		Bottom of trench to bottom of duct	Bottom of trench to center of bottom duct			
			Vertical	Horizontal	Vertical	Horizontal					
SP2W20-1	2.00"	2.375"	—	—	—	—	3.06"	4.25"	1.00"	4.38"	
SP2W30-1	2.00"	2.375"	—	—	—	—	4.06"	5.25"	1.00"	5.38"	
SP4W15-1	4.00"	4.500"	—	—	—	—	3.31"	5.56"	1.00"	6.00"	
SP4W20-1	4.00"	4.500"	—	—	—	—	3.81"	6.06"	1.00"	6.50"	
SP4W30-1	4.00"	4.500"	—	—	—	—	4.81"	7.06"	1.00"	7.50"	
SP2W20-2*	2.00"	2.375"	2.00"	2.00"	4.38"	4.38"	3.06"	4.25"	2.00"	8.75"	
SP2W30-2*	2.00"	2.375"	3.00"	3.00"	5.38"	5.38"	4.06"	5.25"	2.00"	10.75"	
SP3W20-2	3.00"	3.500"	2.00"	2.00"	5.50"	5.50"	3.61"	5.36"	2.00"	11.00"	
SP3W30-2	3.00"	3.500"	3.00"	3.00"	6.50"	6.50"	4.61"	3.36"	2.00"	13.00"	
SP4W15-2*	4.00"	4.500"	1.50"	1.50"	6.00"	6.00"	3.31"	5.56"	2.00"	12.00"	
SP4W20-2*	4.00"	4.500"	2.00"	2.00"	6.50"	6.50"	3.81"	6.06"	2.00"	13.00"	
SP4W30-2*	4.00"	4.500"	3.00"	3.00"	7.50"	7.50"	4.81"	7.06"	2.00"	15.00"	
SP5W20-2	5.00"	5.563"	2.00"	2.00"	7.56"	7.56"	4.38"	7.16"	2.00"	15.12"	
SP5W30-2	5.00"	5.563"	3.00"	3.00"	8.56"	8.56"	5.38"	8.16"	2.00"	17.14"	
SP6W20-2	6.00"	6.625"	2.00"	2.00"	8.62"	8.62"	4.07"	7.38"	2.00"	17.15"	
SP6W30-2	6.00"	6.625"	3.00"	3.00"	9.62"	9.62"	5.06"	8.38"	2.00"	19.25"	
SP2W20-3	2.00"	2.375"	2.00"	2.00"	4.38	4.38"	3.06"	4.25"	3.00"	13.13"	
SP2W30-3	2.00"	2.375"	3.00"	3.00"	5.38	5.38"	4.06"	5.25"	3.00"	16.13"	
SP4W15-3	4.00"	4.500"	1.50"	1.50"	6.00"	6.00"	3.31"	5.56"	3.00"	18.00"	
SP4W20-3	4.00"	4.500"	2.00"	2.00"	6.50"	6.50"	3.81"	6.06"	3.00"	19.50"	
SP2W30-3	4.00"	4.500"	3.00"	3.00"	7.50"	7.50"	4.81"	7.06	3.00"	22.50"	

Note: Product must be installed in accordance with applicable national and local electrical codes.
*Can be cut apart to make (2) one-way spacers.

Part number key:

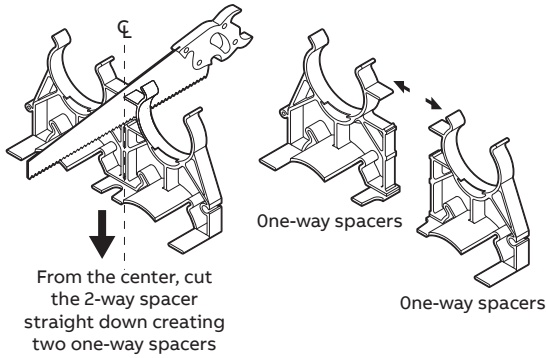


Locking features:

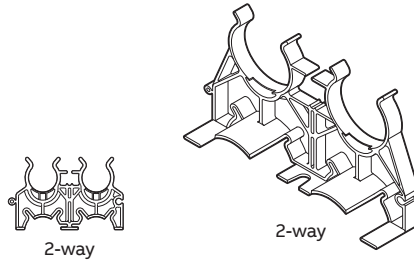


Combo spacer types:

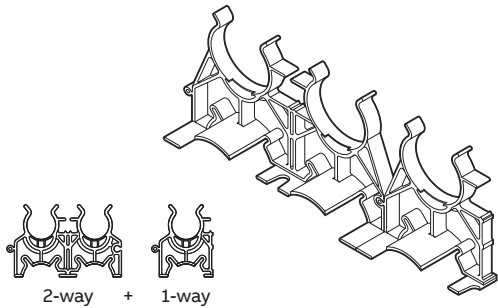
One-way spacer



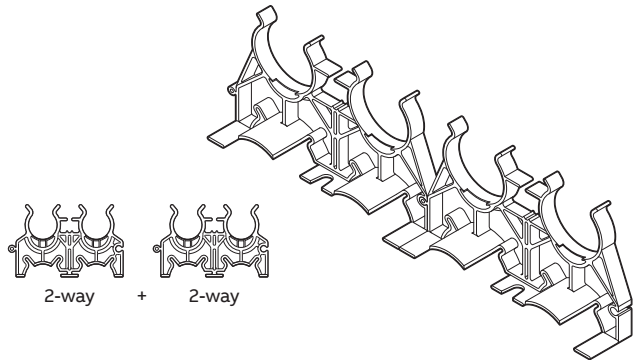
Two-way spacer



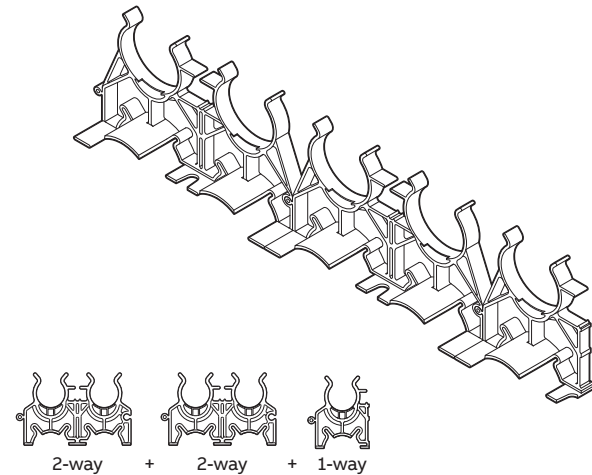
Three-way spacer



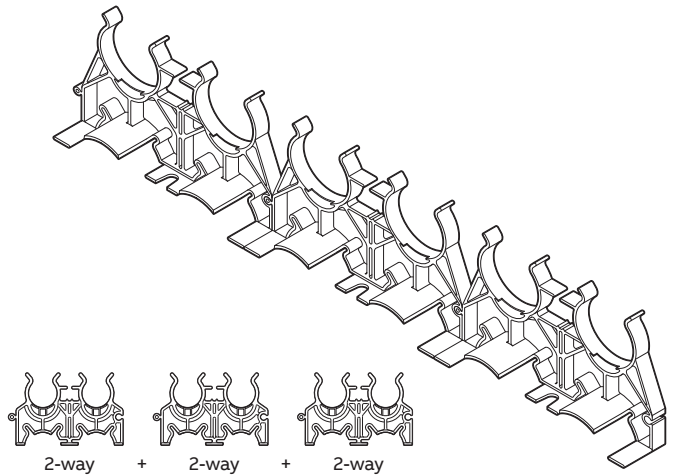
Four-way spacer



Five-way spacer



Six-way spacer



electrification.us.abb.com (US/LATAM)
tnb.ca.abb.com (Canada)
abb.com

We reserve the right to make technical changes or modify the contents of this document without prior notice. With regard to purchase orders, the agreed particulars shall prevail. ABB does not accept any responsibility whatsoever for potential errors or possible lack of information in this document.

We reserve all rights in this document and in the subject matter and illustrations contained therein. Any reproduction – in whole or in part – is forbidden without prior written consent of ABB. © 2025 ABB Installation Products Inc. and/or its related companies. All Rights Reserved.

Product search 