

Product data sheet

Specifications



Illuminated push-button head,
Harmony 9001K, metal, mushroom
41mm, green, 30mm, 2 positions,
push-pull, LED green, 120V

9001KR9P38LGG

Main

Range of product	Harmony 9001K
Device short name	9001K
Product or component type	Head for illuminated push-button
Type of operator	stay put
Operator profile	Green mushroom Ø 41 mm, unmarked
Light block supply	Direct

Complementary

Bezel material	Metal
Mounting diameter	30 mm
Net weight	0.186 kg
Operating position	Any position
Shape of signaling unit head	Round
Operator position information	2 positions
Contacts type and composition	Without contact block
Mechanical durability	5000000 cycles
Light source	LED
Light source	incandescent
Bulb base	BA 9s
[Us] rated supply voltage	120 V AC/DC
[Us] rated supply voltage	120 V AC/DC
Compatibility code	9001K
Cap/operator or lens colour	Green
[Us] rated supply voltage	120 V
Light source colour	Green
Operator profile	Mushroom Ø 41 mm
Type of operator	Push-pull
Operator additional information	Screw-on plastic
Size	30 mm

Environment

Protective treatment	TC
Ambient air temperature for storage	-40...70 °C
Ambient air temperature for operation	-25...70 °C
Electrical shock protection class	Class II conforming to IEC 60536
Overvoltage category	Class II conforming to IEC 60536
IP degree of protection	IP66 conforming to IEC 60529
NEMA degree of protection	NEMA 1 NEMA 12 NEMA 13 NEMA 2 NEMA 3 NEMA 3R NEMA 4
Standards	IEC 60947-5-1 JIS C 852 UL 508 IEC 60947-1 IEC 60947-5-4 CSA C22.2 No 14 JIS C 4520
Product certifications	UL 508 NEMA
Vibration resistance	7 gn (f= 2...500 Hz) conforming to IEC 60068-2-6
Shock resistance	50 gn conforming to IEC 60068-2-27

Packing Units

Unit Type of Package 1	PCE
Number of Units in Package 1	1
Package 1 Height	4.572 cm
Package 1 Width	5.334 cm
Package 1 Length	9.144 cm
Package 1 Weight	226.796 g

Contractual warranty

Warranty	18 months
-----------------	-----------




Environmental Data

Schneider Electric aims to achieve Net Zero status by 2050 through supply chain partnerships, lower impact materials, and circularity via our ongoing "Use Better, Use Longer, Use Again" campaign to extend product lifetimes and recyclability.



[Environmental Data explained >](#)

[How we assess product sustainability >](#)

Use Better

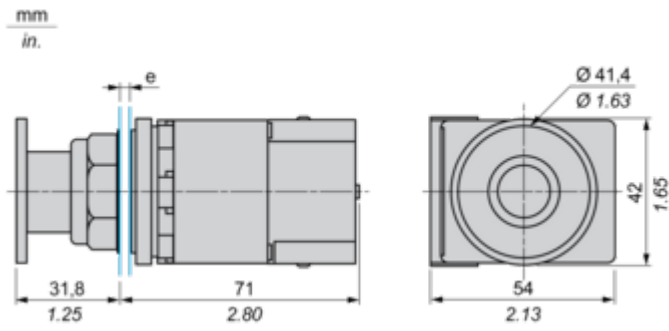
 Materials and Substances	
Packaging made with recycled cardboard	Yes
Packaging without single use plastic	Yes
EU RoHS Directive	Pro-active compliance (Product out of EU RoHS legal scope)
SCIP Number	Ae0c4eb9-0bf9-40a4-851f-5c619f9e777d
REACH Regulation	REACH Declaration
California proposition 65	WARNING: This product can expose you to chemicals including: Lead and lead compounds, which is known to the State of California to cause cancer and birth defects or other reproductive harm. For more information go to www.P65Warnings.ca.gov

Use Again

 Repack and remanufacture	
Take-back	No
WEEE Label	 The product must be disposed on European Union markets following specific waste collection and never end up in rubbish bins

Dimensions Drawings

Dimensions

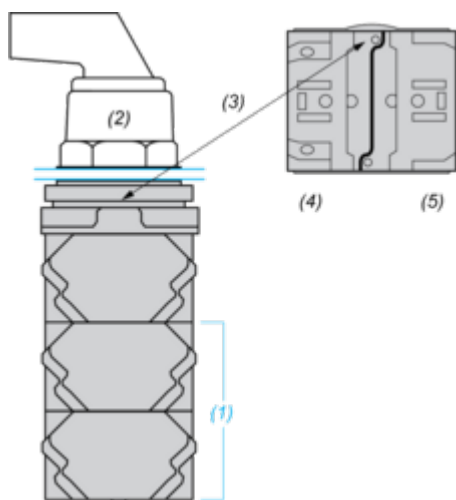


e panel thickness: 1 to 6 mm / 0.04 to 0.24 in.

Mounting and Clearance

Contact Block Mounting Position

Top and Rear views



(1) It is possible to mount up to 3 levels of contacts blocks (maximum of 6 contacts blocks)

(2) Operator

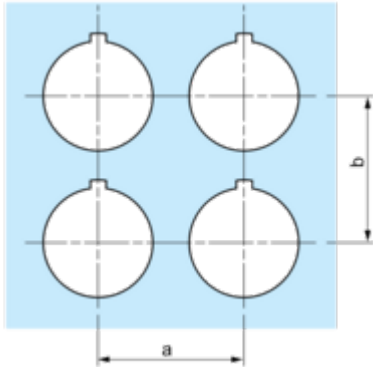
(3) Locating notch

(4) Side 1

(5) Side 2

Panel Cut-Out

Clearance



Legend plate	a min.		b min.	
	mm	in.	mm	in.
9001KN2••	57.2	2.25	44.5	1.75
9001KN3••	57.2	2.25	50.8	2.00

Individual Cut-outs Details

2 alternatives

