

# Product data sheet

Specifications



## Selector switch head, Harmony 9001SK, plastic, long handle, black, 30mm, 2 positions, stay put

9001SKS11FB

**Product availability: Non-Stock - Not normally stocked in distribution facility**

### Main

Range of Product	Harmony 9001SK
Product or Component Type	Head for selector switch
Device short name	9001SK
Type of operator	stay put
Operator profile	Black long handle

### Complementary

Bezel material	Plastic
Mounting diameter	1.2 in (30 mm)
Net Weight	0.130 lb(US) (0.059 kg)
Shape of signaling unit head	Octagonal
Operator position information	2 positions
Contacts type and composition	Without contact block
Mechanical durability	500000 cycles
Product compatibility	9001KA2 side 1 or 2
Device presentation	Basic element
Cap/operator or lens colour	Black
Operator profile	Long handle
Type of operator	Stay put
Size	30 mm
Cam profile	5

### Environment

Protective treatment	TC
Ambient Air Temperature for Storage	-40...158 °F (-40...70 °C)
Ambient Air Temperature for Operation	-13...158 °F (-25...70 °C)
Electrical shock protection class	Class II conforming to IEC 61140
IP degree of protection	IP66 IEC 60529

Price is "List Price" and may be subject to a trade discount – check with your local distributor or retailer for actual price.

<b>NEMA degree of protection</b>	NEMA 1 NEMA 12 NEMA 13 NEMA 2 NEMA 3 NEMA 3R NEMA 4 NEMA 4X NEMA 6
<b>Standards</b>	CSA C22.2 No 14 JIS C 4520 IEC 60947-5-4 UL 508 IEC 60947-1 JIS C 852 IEC 60947-5-1
<b>Product Certifications</b>	NEMA UL 508
<b>Vibration resistance</b>	7 gn (f= 2...500 Hz) conforming to IEC 60068-2-6
<b>Shock resistance</b>	50 gn IEC 60068-2-27

## Ordering and shipping details

<b>Category</b>	US10CS121429
<b>Discount Schedule</b>	0CS1
<b>GTIN</b>	785901043560
<b>Returnability</b>	No
<b>Country of origin</b>	MX

## Packing Units

<b>Unit Type of Package 1</b>	PCE
<b>Number of Units in Package 1</b>	1
<b>Package 1 Height</b>	2.00 in (5.08 cm)
<b>Package 1 Width</b>	2.30 in (5.842 cm)
<b>Package 1 Length</b>	2.80 in (7.112 cm)
<b>Package 1 Weight</b>	2.240 oz (63.503 g)
<b>Unit Type of Package 2</b>	S01
<b>Number of Units in Package 2</b>	24
<b>Package 2 Height</b>	5.91 in (15 cm)
<b>Package 2 Width</b>	5.91 in (15 cm)
<b>Package 2 Length</b>	15.75 in (40 cm)
<b>Package 2 Weight</b>	3.618 lb(US) (1.641 kg)

## Contractual warranty

<b>Warranty</b>	18 months
-----------------	-----------

## Environmental Data

Schneider Electric aims to achieve Net Zero status by 2050 through supply chain partnerships, lower impact materials, and circularity via our ongoing “Use Better, Use Longer, Use Again” campaign to extend product lifetimes and recyclability.

[Environmental Data explained >](#)

[How we assess product sustainability >](#)

### Environmental footprint

[Environmental Disclosure](#)

[Product Environmental Profile](#)

## Use Better

### Materials and Substances

Packaging made with recycled cardboard

Yes

Packaging without single use plastic

Yes

[EU RoHS Directive](#)

Pro-active compliance (Product out of EU RoHS legal scope)

REACH Regulation

[REACH Declaration](#)

California proposition 65

**WARNING:** This product can expose you to chemicals including: Nickel compounds, which is known to the State of California to cause cancer, and Di-isodecyl phthalate (DIDP), which is known to the State of California to cause birth defects or other reproductive harm. For more information go to [www.P65Warnings.ca.gov](http://www.P65Warnings.ca.gov)

## Use Again

### Repack and remanufacture

Circularity Profile

No need of specific recycling operations

Take-back

No

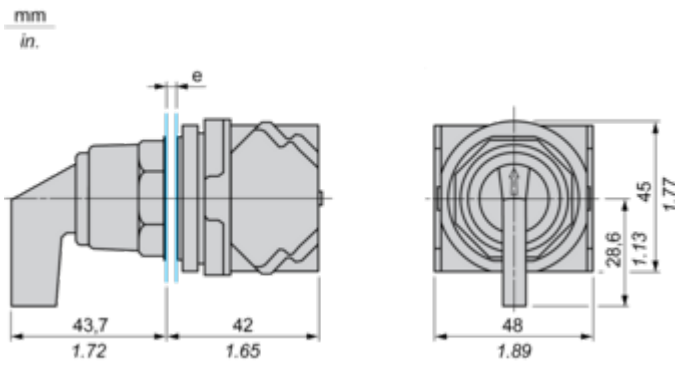
WEEE

 The product must be disposed on European Union markets following specific waste collection and never end up in rubbish bins.

Dimensions Drawings

Dimensions

---



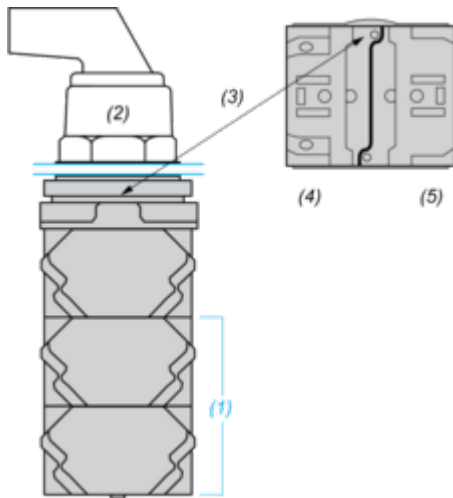
e panel thickness: 1 to 6 mm / 0.04 to 0.24 in.

Mounting and Clearance

Contact Block Mounting Position

---

Top and Rear views



- (1) It is possible to mount up to 3 levels of contacts blocks (maximum of 6 contacts blocks)
- (2) Operator
- (3) Locating notch
- (4) Side 1
- (5) Side 2