

Product data sheet

Specifications

SQUARE D



Transformer, Type T, industrial control, 350VA, 1 phase, 240x480V primary, 120V secondary, 80C rise

9070T350D1

Product availability: Stock - Normally stocked in distribution facility

Main

| | |
|--------------|--------------------------------|
| Product Type | Industrial Control Transformer |
| Type | T |

Complementary

| | |
|--------------------------------|---|
| Number of Phases | 1 phase |
| Power Rating | 350 VA UL 350 VA CSA 350 VA NOM 250 VA CE |
| Primary to Secondary Voltage | 240 x 480 V 120 V 230 x 460 V 115 V 220 x 440 V 110 V |
| Temperature Rise | 80 °C |
| Electrical Connection | Screw clamp terminals |
| Height | 3.84 in (97.54 mm) |
| Width | 4.5 in (114.3 mm) |
| Depth | 5.11 in (129.79 mm) |
| Material | Copper: winding |
| Fingersafe Cover Compatibility | FSC2 |

Environment

| | |
|------------------------|--|
| Certifications | CSA file LR37055 guide 184-N-90 UL listed file E61239 |
| Enclosure Type | Not rated (open device) |
| Insulation Temperature | 266 °F (130 °C) |

Ordering and shipping details

| | |
|-------------------|--------------|
| Category | US10CP816201 |
| Discount Schedule | 0CP8 |
| GTIN | 785901904694 |
| Returnability | Yes |
| Country of origin | MX |

Packing Units

Price is "List Price" and may be subject to a trade discount – check with your local distributor or retailer for actual price.

| | |
|-------------------------------------|--------------------------|
| Unit Type of Package 1 | PCE |
| Number of Units in Package 1 | 1 |
| Package 1 Height | 3.90 in (9.906 cm) |
| Package 1 Width | 5.11 in (12.979 cm) |
| Package 1 Length | 4.50 in (11.43 cm) |
| Package 1 Weight | 10.741 lb(US) (4.872 kg) |

Contractual warranty

| | |
|-----------------|----------|
| Warranty | 10 Years |
|-----------------|----------|



Environmental Data

Schneider Electric aims to achieve Net Zero status by 2050 through supply chain partnerships, lower impact materials, and circularity via our ongoing “Use Better, Use Longer, Use Again” campaign to extend product lifetimes and recyclability.

[Environmental Data explained >](#)

[How we assess product sustainability >](#)

Environmental footprint

[Environmental Disclosure](#)

[Product Environmental Profile](#)

Use Better

Materials and Substances

Packaging made with recycled cardboard

Yes

Packaging without single use plastic

No

[EU RoHS Directive](#)

Compliant with Exemptions

REACH Regulation

[REACH Declaration](#)

California proposition 65

WARNING: This product can expose you to chemicals including: Phenyl glycidyl ether, which is known to the State of California to cause cancer and birth defects or other reproductive harm. For more information go to www.P65Warnings.ca.gov

PVC free

Yes

Use Again

Repack and remanufacture

Circularity Profile

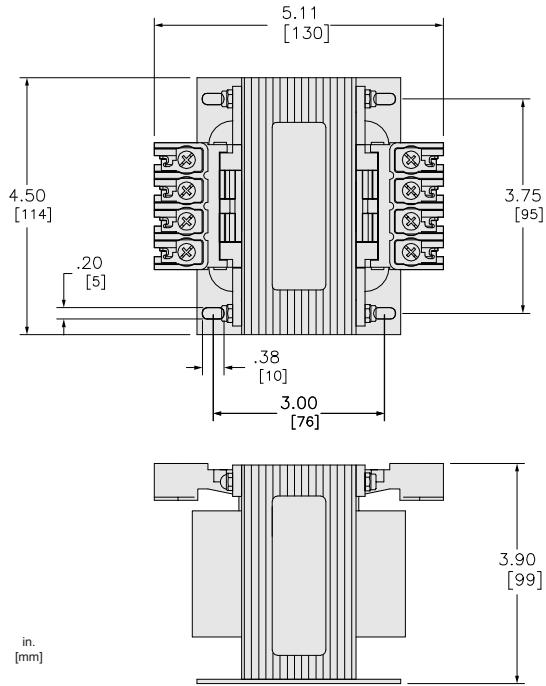
No need of specific recycling operations

Take-back

No

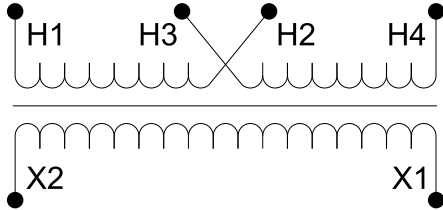
Technical Illustration

Dimensions



Technical Illustration

Wiring diagram



Options

| Voltage Code | Voltages | | Connections | |
|--------------|-----------|-----------|---|----------------------|
| | Primary | Secondary | Primary | Secondary |
| D1 | 220 x 440 | 110 | 220/230/240 V: Connect to H1 and H4 Jumper H1 and H3 | Connect to X1 and X2 |
| | 230 x 460 | 115 | Jumper H2 with H4 | |
| | 240 x 480 | 120 | 440/460/480 V: Connect to H1 and H4 Jumper H2 with H3 | |

REFER TO TECHNICAL DOCUMENTATION FOR COMPLETE INFORMATION.