

# Product data sheet

Specifications

SQUARE D



Transformer, Type T, industrial control, 100VA, 1 phase, 240/480/600V primary, 120V secondary, 55C rise

9070T100D32

Product availability: Stock - Normally stocked in distribution facility

## Main

Product Type	Industrial Control Transformer
Type	T

## Complementary

Number of Phases	1 phase
Power Rating	100 VA UL 100 VA CSA 100 VA NOM 100 VA CE
Primary to Secondary Voltage	240/480/600 V 100/120 V 230/460/575 V 95/115 V 220/440/550 V 90/110 V
Temperature Rise	55 °C
Electrical Connection	Screw clamp terminals
Height	3.2 in (81.3 mm)
Width	3.75 in (95.25 mm)
Depth	3.59 in (91.19 mm)
Material	Copper: winding
Fingersafe Cover Compatibility	FSC1

## Environment

Certifications	CSA file LR37055 guide 184-N-90 UL listed file E61239
Enclosure Type	Not rated (open device)
Insulation Temperature	221 °F (105 °C)

## Ordering and shipping details

Category	US10CP816200
Discount Schedule	0CP8
GTIN	785901322269
Returnability	Yes
Country of origin	MX

## Packing Units

Price is "List Price" and may be subject to a trade discount – check with your local distributor or retailer for actual price.

<b>Unit Type of Package 1</b>	PCE
<b>Number of Units in Package 1</b>	1
<b>Package 1 Height</b>	4.10 in (10.41 cm)
<b>Package 1 Width</b>	4.20 in (10.67 cm)
<b>Package 1 Length</b>	3.70 in (9.4 cm)
<b>Package 1 Weight</b>	5.53 lb(US) (2.51 kg)

## Contractual warranty

<b>Warranty</b>	10 Years
-----------------	----------

## Environmental Data

Schneider Electric aims to achieve Net Zero status by 2050 through supply chain partnerships, lower impact materials, and circularity via our ongoing “Use Better, Use Longer, Use Again” campaign to extend product lifetimes and recyclability.

[Environmental Data explained >](#)

[How we assess product sustainability >](#)

### Environmental footprint

[Environmental Disclosure](#)

[Product Environmental Profile](#)

## Use Better

### Materials and Substances

Packaging made with recycled cardboard

Yes

Packaging without single use plastic

No

[EU RoHS Directive](#)

Compliant with Exemptions

REACH Regulation

[REACH Declaration](#)

California proposition 65

**WARNING:** This product can expose you to chemicals including: Phenyl glycidyl ether, which is known to the State of California to cause cancer and birth defects or other reproductive harm. For more information go to [www.P65Warnings.ca.gov](http://www.P65Warnings.ca.gov)

PVC free

Yes

## Use Again

### Repack and remanufacture

Circularity Profile

No need of specific recycling operations

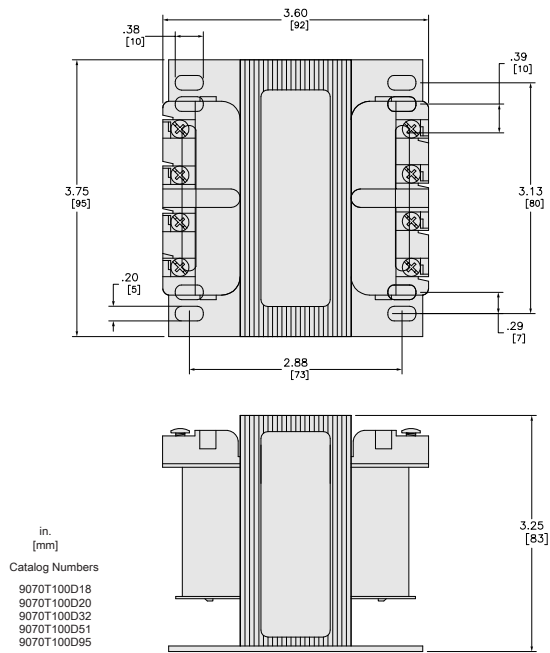
Take-back

No

Technical Illustration

Dimensions

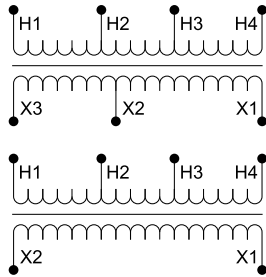
---



Technical Illustration

Wiring diagram

---



Options

Voltage Code	Voltages		Connections	
	Primary	Secondary	Primary	Secondary
D18	208/277/380	95/115	208: Connect to H1 and H2 277: Connect to H1 and H3 380: Connect to H1 and H4	95: Connect to X1 and X2 115: Connect to X1 and X3
D32	220/440/550 230/460/575 240/480/600	90/110 95/115 100/120	220 or 230 or 240: Connect to H1 and H2 440 or 460 or 480: Connect to H1 and H3 550 or 575 or 660: Connect to H1 and H4	90 or 95 or 100: Connect to X1 and X2 110 or 115 or 120: Connect to X1 and X3

REFER TO TECHNICAL DOCUMENTATION FOR COMPLETE INFORMATION.