

# Product data sheet

Specifications

SQUARE D



Transformer, Type T, industrial control, 750VA, 1 phase, 240/416/480/600V primary, 99/120/130V secondary, 115C rise

9070T750D50

Product availability: Non-Stock - Not normally stocked in distribution facility

## Main

Product Type	Industrial Control Transformer
Type	T

## Complementary

Number of Phases	1 phase
Power Rating	750 VA UL 750 VA CSA 750 VA NOM 500 VA CE
Primary to Secondary Voltage	240/416/480/600 V 99/120/130 V 230/400/460/575 V 95/115/125 V 220/380/440/550 V 90/110/120 V 208/360/416/520 V 85/100/110 V
Temperature Rise	115 °C
Electrical Connection	Screw clamp terminals
Height	4.51 in (114.55 mm)
Width	5.25 in (133.35 mm)
Depth	6.3 in (160.02 mm)
Material	Copper: winding
Fingersafe Cover Compatibility	FSC23

## Environment

Certifications	UL listed file E61239 CSA file LR37055 guide 184-N-90
Enclosure Type	Not rated (open device)
Insulation Temperature	356 °F (180 °C)

## Ordering and shipping details

Category	US10CP816206
Discount Schedule	0CP8
GTIN	785901331377
Returnability	No
Country of origin	US

## Packing Units

Price is "List Price" and may be subject to a trade discount – check with your local distributor or retailer for actual price.

<b>Unit Type of Package 1</b>	PCE
<b>Number of Units in Package 1</b>	1
<b>Package 1 Height</b>	6.50 in (16.51 cm)
<b>Package 1 Width</b>	8.50 in (21.59 cm)
<b>Package 1 Length</b>	8.00 in (20.32 cm)
<b>Package 1 Weight</b>	20.501 lb(US) (9.299 kg)

## Contractual warranty

<b>Warranty</b>	10 Years
-----------------	----------

## Environmental Data

Schneider Electric aims to achieve Net Zero status by 2050 through supply chain partnerships, lower impact materials, and circularity via our ongoing “Use Better, Use Longer, Use Again” campaign to extend product lifetimes and recyclability.

[Environmental Data explained >](#)

[How we assess product sustainability >](#)

### Environmental footprint

[Environmental Disclosure](#)

[Product Environmental Profile](#)

## Use Better

### Materials and Substances

Packaging made with recycled cardboard

Yes

Packaging without single use plastic

No

[EU RoHS Directive](#)

Compliant with Exemptions

REACH Regulation

[REACH Declaration](#)

California proposition 65

**WARNING:** This product can expose you to chemicals including: Phenyl glycidyl ether, which is known to the State of California to cause cancer and birth defects or other reproductive harm. For more information go to [www.P65Warnings.ca.gov](http://www.P65Warnings.ca.gov)

PVC free

Yes

## Use Again

### Repack and remanufacture

Circularity Profile

No need of specific recycling operations

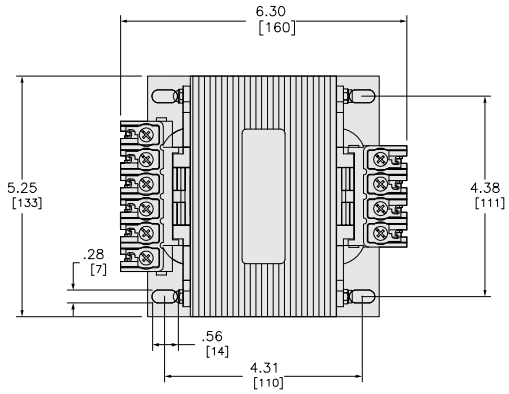
Take-back

No

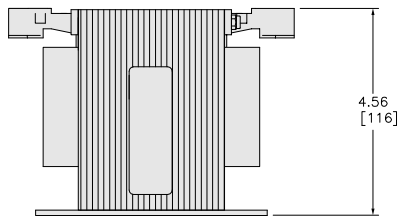
Technical Illustration

Dimensions

---



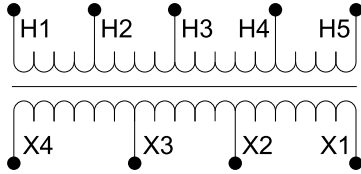
9070T750D50  
in.  
[mm]



Technical Illustration

Wiring diagram

---



Options

Voltage Code	Voltages		Connections	
	Primary	Secondary	Primary	Secondary
D50	208/364/420/500 220/380/440/550 230/400/460/575 240/416/480/600	85/100/110 91/110/120 95/115/125 99/120/130	208 or 220 or 230 or 240: Connect to H1 and H2 364 or 380 or 400 or 416: Connect to H1 and H3 420 or 440 or 460 or 480: Connect to H1 and H4 500 or 550 or 575 or 600: Connect to H1 and H5	85 or 91 or 95 or 99: Connect to X1 and X2 100 or 110 or 115 or 120: Connect to X1 and X3 110 or 120 or 125 or 130: Connect to X1 and X4

REFER TO TECHNICAL DOCUMENTATION FOR COMPLETE INFORMATION.