

# Product data sheet

Specifications

**SQUARE D**



Transformer, Type T, industrial control, 50VA, 1 phase, 240x480V primary, 25/120V secondary, 55C rise

9070T50D15

Product availability: Stock - Normally stocked in distribution facility

## Main

Product Type	Industrial Control Transformer
Type	T

## Complementary

Number of Phases	1 phase
Power Rating	50 VA UL 50 VA CSA 50 VA NOM 50 VA CE
Primary to Secondary Voltage	240 x 480 V 25/120 V 240 x 480 V 24/115 V 240 x 480 V 23/110 V
Temperature Rise	55 °C
Electrical Connection	Screw clamp terminals
Height	2.58 in (65.53 mm)
Width	3 in (76.2 mm)
Depth	3.09 in (78.49 mm)
Material	Copper: winding
Fingersafe Cover Compatibility	FSC1

## Environment

Certifications	UL listed file E61239 CSA file LR37055 guide 184-N-90
Enclosure Type	Not rated (open device)
Insulation Temperature	221 °F (105 °C)

## Ordering and shipping details

Category	US10CP816200
Discount Schedule	0CP8
GTIN	785901905509
Returnability	Yes
Country of origin	MX

## Packing Units

Price is "List Price" and may be subject to a trade discount – check with your local distributor or retailer for actual price.

<b>Unit Type of Package 1</b>	PCE
<b>Number of Units in Package 1</b>	1
<b>Package 1 Height</b>	3.70 in (9.398 cm)
<b>Package 1 Width</b>	4.20 in (10.668 cm)
<b>Package 1 Length</b>	4.10 in (10.414 cm)
<b>Package 1 Weight</b>	2.480 lb(US) (1.125 kg)
<b>Unit Type of Package 2</b>	PAL
<b>Number of Units in Package 2</b>	450
<b>Package 2 Height</b>	40.00 in (101.600 cm)
<b>Package 2 Width</b>	40.00 in (101.600 cm)
<b>Package 2 Length</b>	48.00 in (121.920 cm)
<b>Package 2 Weight</b>	1133.999 lb(US) (514.373 kg)

## Contractual warranty

<b>Warranty</b>	10 Years
-----------------	----------

## Environmental Data

Schneider Electric aims to achieve Net Zero status by 2050 through supply chain partnerships, lower impact materials, and circularity via our ongoing “Use Better, Use Longer, Use Again” campaign to extend product lifetimes and recyclability.

[Environmental Data explained >](#)

[How we assess product sustainability >](#)

### Environmental footprint

[Environmental Disclosure](#)

[Product Environmental Profile](#)

## Use Better

### Materials and Substances

Packaging made with recycled cardboard

Yes

Packaging without single use plastic

No

[EU RoHS Directive](#)

Compliant with Exemptions

REACH Regulation

[REACH Declaration](#)

California proposition 65

**WARNING:** This product can expose you to chemicals including: Phenyl glycidyl ether, which is known to the State of California to cause cancer and birth defects or other reproductive harm. For more information go to [www.P65Warnings.ca.gov](http://www.P65Warnings.ca.gov)

PVC free

Yes

## Use Again

### Repack and remanufacture

Circularity Profile

No need of specific recycling operations

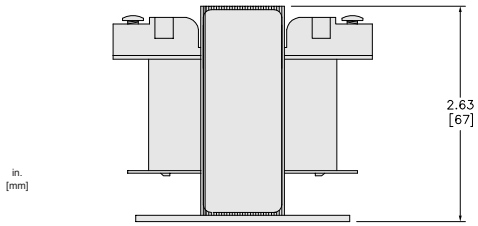
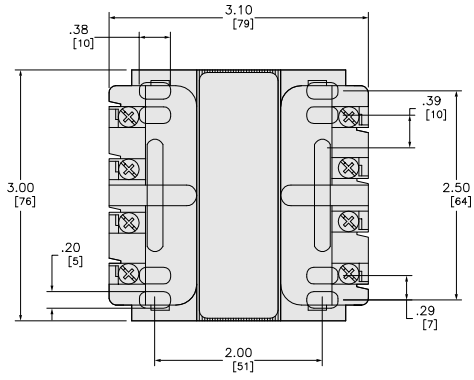
Take-back

No

Technical Illustration

Dimensions

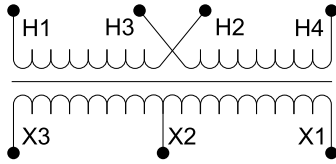
---



Technical Illustration

Wiring diagram

---



Options

Voltage Code	Voltages		Connections	
	Primary	Secondary	Primary	Secondary
D15	240 x 480	23/110 24/ /120	240: Connect to H1 and H4 Jumper H1 with H3 Jumper H2 with H4 480: Connect to H1 and H4 Jumper H2 with H3	23 or 24 or 25: Connect to X1 and X2 110 or 115 or 120: Connect to X1 and X3

REFER TO TECHNICAL DOCUMENTATION FOR COMPLETE INFORMATION.